

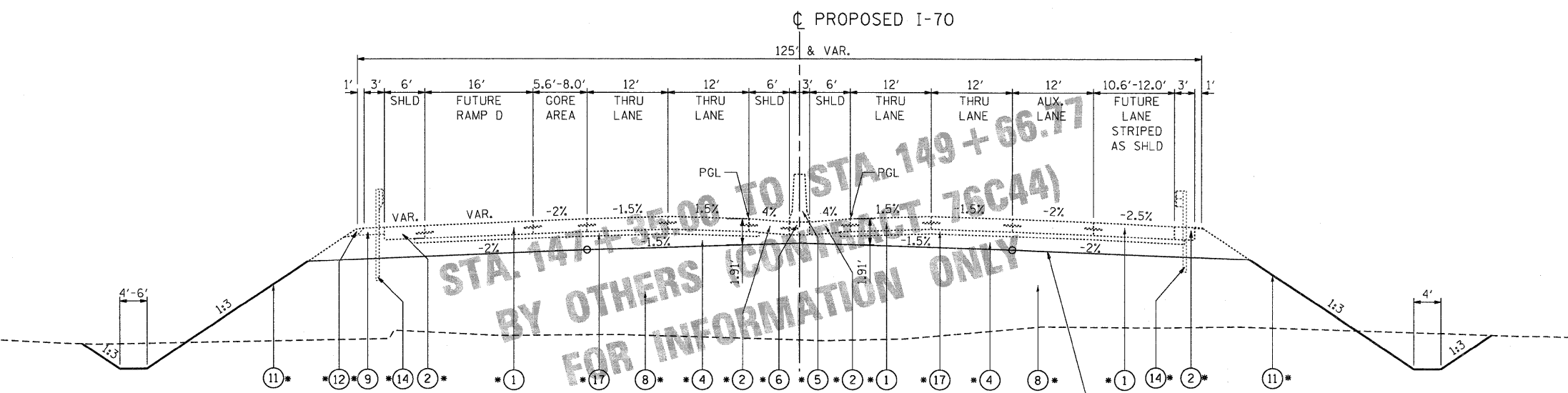
PROPOSED I-70 TYPICAL SECTION

STA. 149+66.77 TO STA. 160+00.00
SECTIONS ADJACENT TO DETENTION BASINS

SUPERELEVATION TRANSITION
STA. 147+65.00 5.4% TO STA. 150+84.60 N.C.

PROPOSED FINISHED EMBANKMENT GRADE
AT BOTTOM OF FUTURE PROPOSED
SUBGRADE.

- EXISTING LEGEND**
- (A) BITUMINOUS CONC. PAVEMENT VARIABLE THICKNESS
 - (B) PORTLAND CEMENT CONCRETE PAVEMENT VARIABLE THICKNESS



PROPOSED I-70 TYPICAL SECTION

STA. 147+35.00 TO STA. 149+66.77
BY OTHERS (CONTRACT 76C44)

FOR INFORMATION ONLY

PROPOSED FINISHED EMBANKMENT GRADE
AT BOTTOM OF FUTURE PROPOSED
SUBGRADE.

- PROPOSED LEGEND** * = BY OTHERS
- * (1) PORTLAND CEMENT CONCRETE PAVEMENT 11 1/4" (JOINTED)
 - * (2) PORTLAND CEMENT CONCRETE SHOULDERS 11 1/4"
 - * (3) M.S.E RETAINING WALL
 - * (4) AGGREGATE SUBGRADE 12"
 - * (5) CONCRETE BARRIER, DOUBLE FACE, 42 INCH HEIGHT
 - * (6) CONCRETE BARRIER BASE
 - * (7) AGGREGATE SURFACE COURSE, TYPE B, 12"
 - (8) EMBANKMENT
 - * (9) HOT-MIX ASPHALT SHOULDERS, 6 1/2"
 - * (10) SEEDING, CLASS 4A/MULCH, METHOD 2
 - (11) SEEDING, CLASS 7 (SPECIAL) /MULCH, METHOD 2
 - * (12) AGGREGATE SHOULDERS, TYPE B 6"
 - * (13) BARRIER WALL, MODOT, TYPE D AND MOMENT SLAB
 - * (14) STEEL PLATE BEAM GUARD RAIL, TYPE A, 6 FOOT POSTS
 - (15) CHAIN LINK FENCE, 6'
 - * (16) HOT-MIX ASPHALT PAVEMENT (FULL-DEPTH), 6 1/2"
 - * (17) STABILIZED SUBBASE - HOT-MIX ASPHALT, 4"
 - * (18) SAND DRAINAGE BLANKET
 - * (19) STEEL PLATE BEAM GUARD RAIL, TYPE B (SPECIAL)
 - * (20) CURB - STD. 610001
 - (21) REMOVAL AND DISPOSAL OF UNSUITABLE MATERIAL AND POROUS GRANULAR EMBANKMENT, SUBGRADE
 - (22) REMOVAL AND DISPOSAL OF UNSUITABLE MATERIAL OR NON-SPECIAL WASTE DISPOSAL

\NORCON-99-MDTF.LDN, \D8CONN-06-RODRER.LDN, \D8CONN-06-LEGEND.LDN, \D8CONN-06-SHT-TYPICAL2.LDN
 2-04-2011, 15:52:28.3
 BONDHULLO \\FS-004\A\MAIL_ID_TRANSG.97\2292\2866B-001\CIVIL\CAD\99 ALL CONTRACTS\CONN\SHEETS CONTRACT 86\D8CONN-06-SHT-TYPICAL2.LDN

FILE NAME = #FILEL#	USER NAME = #USER#	DESIGNED - JB	REVISED -	STATE OF ILLINOIS DEPARTMENT OF TRANSPORTATION I-70 CONNECTION	PROPOSED I-70 TYPICAL SECTIONS 2		F.A.P. RTE. 998	SECTION 82-1A	COUNTY ST. CLAIR	TOTAL SHEETS 190	SHEET NO. 9
		PLOT SCALE = #SCALE# CHECKED - ACL PLOT DATE = #DATE#	DRAWN - JB REVISED - CHECKED - ACL DATE - 02/04/11		SCALE: N.T.S.	SHEET NO. OF SHEETS STA. TO STA.	CONTRACT NO. 76C41	ILLINOIS FED. AID PROJECT			