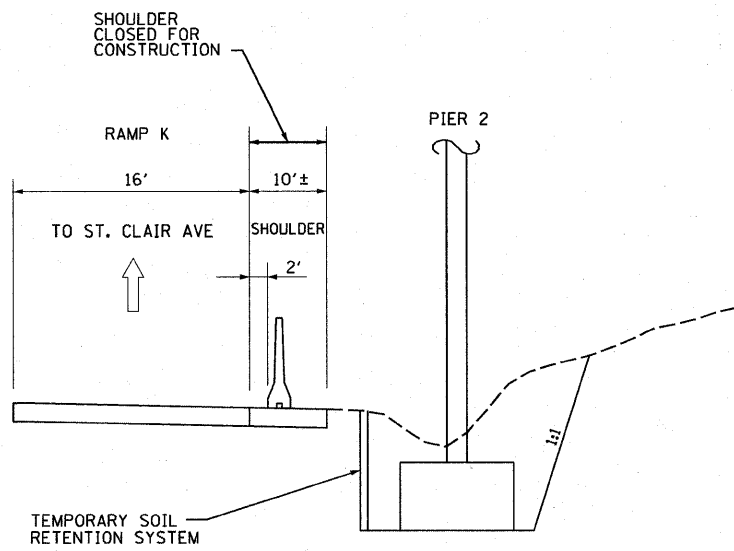
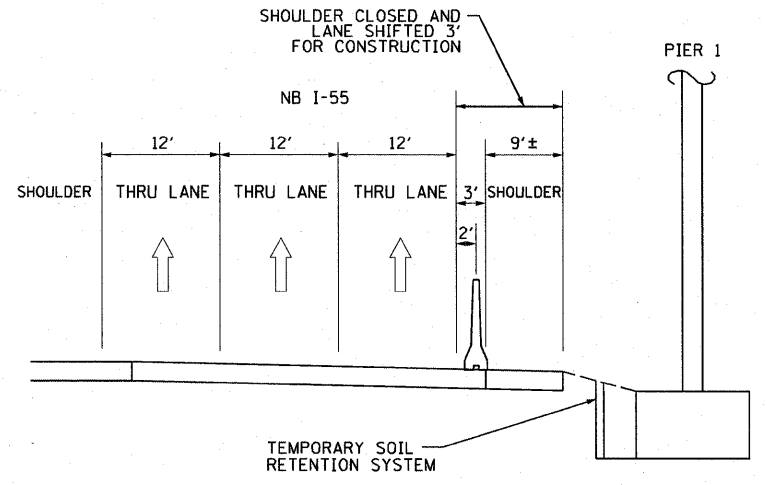


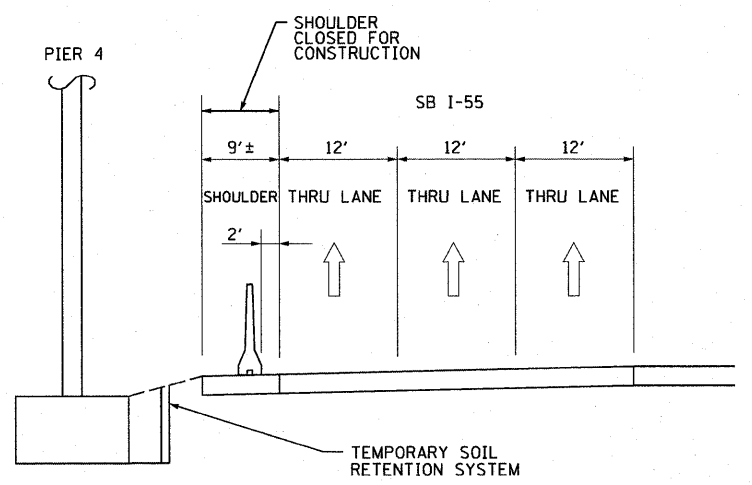
STAGE 1 - PHASE 1 TYPICAL SECTION
SB I-55 - STA 71+86 TO STA 86+31



STAGE 1 - PHASE 1 TYPICAL SECTION
RAMP K - STA 10+58 TO STA 15+70



STAGE 1 - PHASE 1 TYPICAL SECTION
NB I-55 - STA 63+37 TO STA 69+84



STAGE 1 - PHASE 2 TYPICAL SECTION
SB I-55 - STA 86+90 TO STA 92+41

USER NAME = pmsarno	DESIGNED - MAN	REVISED -
	DRAWN - CJS	REVISED -
PLOT SCALE = 100.0000' / in.	CHECKED - MPW	REVISED -
PLOT DATE = #DATE#	DATE - 3-18-11	REVISED -

STATE OF ILLINOIS
DEPARTMENT OF TRANSPORTATION

SUGGESTED STAGES OF CONSTRUCTION AND TRAFFIC CONTROL - TYPICAL SECTIONS		
SCALE: NONE	SHEET NO. 2 OF 7 SHEETS	STA. NA TO STA. NA

F.A.I. RTE. 70	SECTION 82-1-B-1	COUNTY ST. CLAIR	TOTAL SHEETS 319	SHEET NO. 49
FED. ROAD DIST. NO. ILLINOIS		FED. AID PROJECT		
		CONTRACT NO. 76C75		