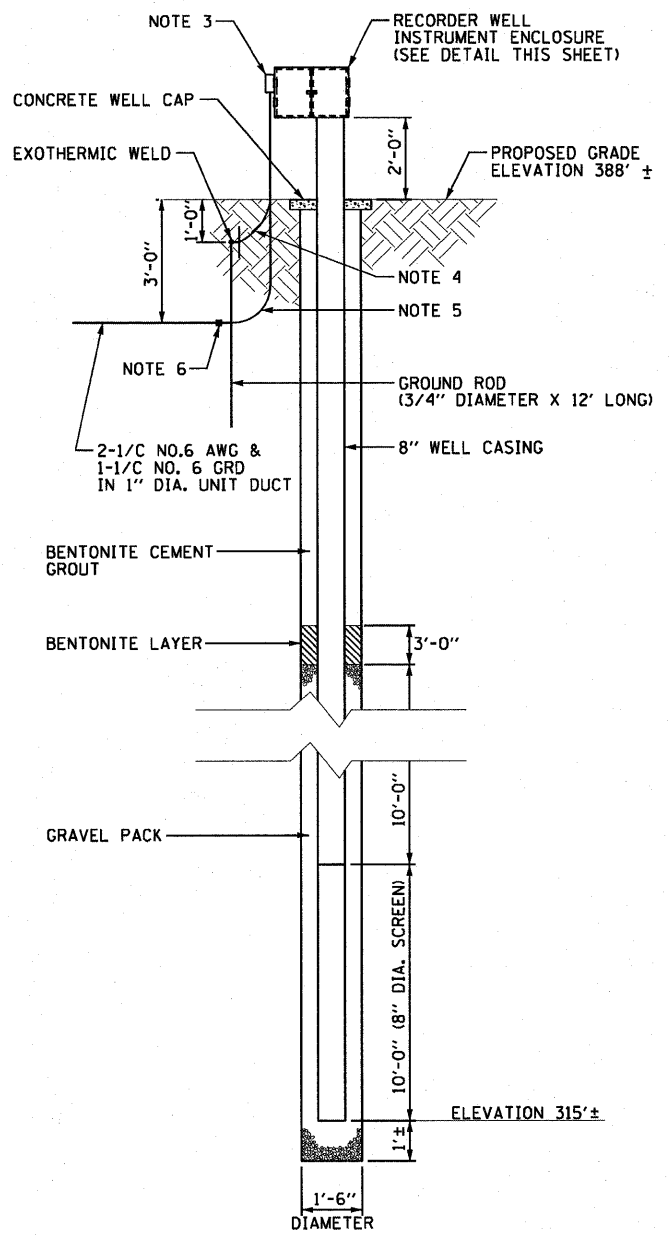


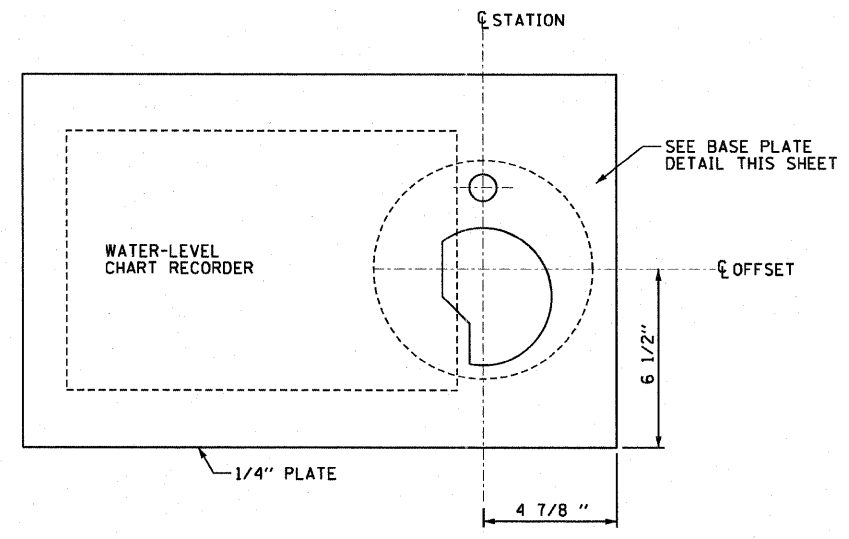
NOTES:

1. CONSTRUCT THE PROPOSED RECORDER WELLS AT THE LOCATIONS INDICATED ON THIS DRAWING. REFER TO SPECIAL PROVISIONS FOR INSTALLATION PROCEDURES.
2. CAST ALUMINUM OUTDOOR "BELL" BOX WITH 15 AMPERE GROUND FAULT CIRCUIT INTERRUPTER DUPLEX RECEPTACLE OUTLET AND GASKETED CAST COVER PLATE.
3. STAINLESS STEEL NEMA 4X JUNCTION BOX 6 INCHES WIDE BY 8 INCHES HIGH BY 4 INCHES DEEP. SPLICE POWER FEEDER CONDUCTORS TO NO. 10 AWG CONDUCTORS TO RECEPTACLE OUTLET AND TO NO.6 AWG GROUNDING ELECTRODE CONDUCTOR. BOND GROUNDING CONDUCTORS TO PULL BOX.
4. 3/4 INCH DIAMETER RIGID GALVANIZED CONDUIT WITH NO.6 AWG GROUNDING ELECTRODE CONDUCTOR TO GROUND ROD.
5. 2 INCH DIAMETER RIGID GALVANIZED CONDUIT FOR POWER FEEDER.
6. ADAPTER COUPLING AND REDUCER FITTING TO CONNECT UNIT DUCT TO RIGID GALVANIZED CONDUIT.
7. BRACKET INSTALLED ON BACK AND BOTH SIDES OF ENCLOSURE.

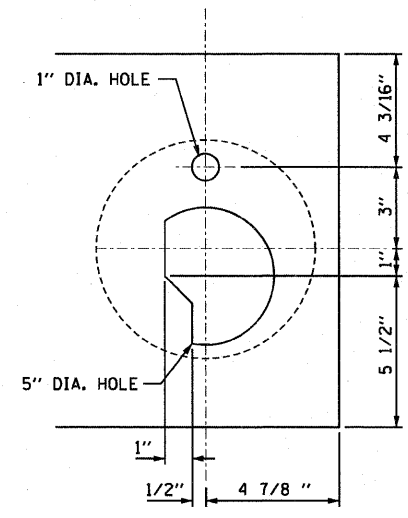
| RECORDER WELL NUMBER | STATION | OFFSET |
|----------------------|--------------------|-----------|
| RW NO. 1A | 69+96.19 55N BL | 68.94' RT |
| - | - | - |



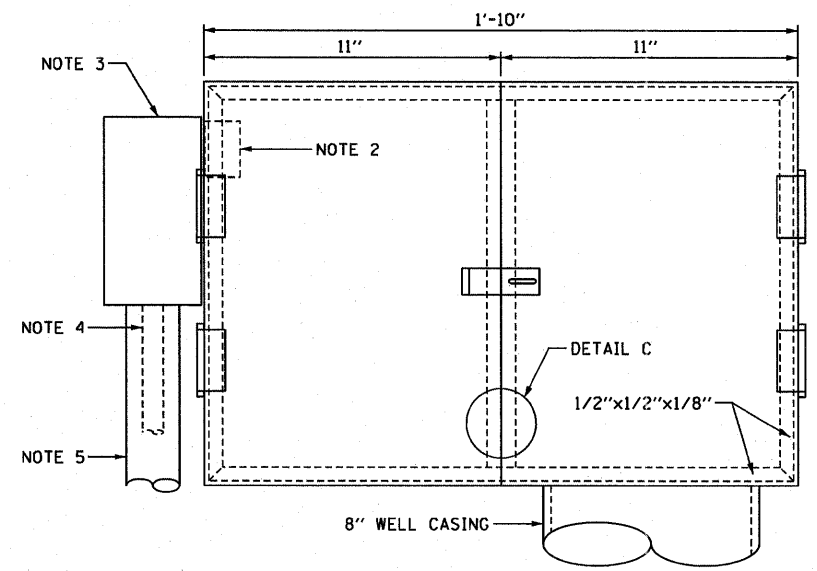
RECORDER WELL NO. 1A
(NOT TO SCALE)



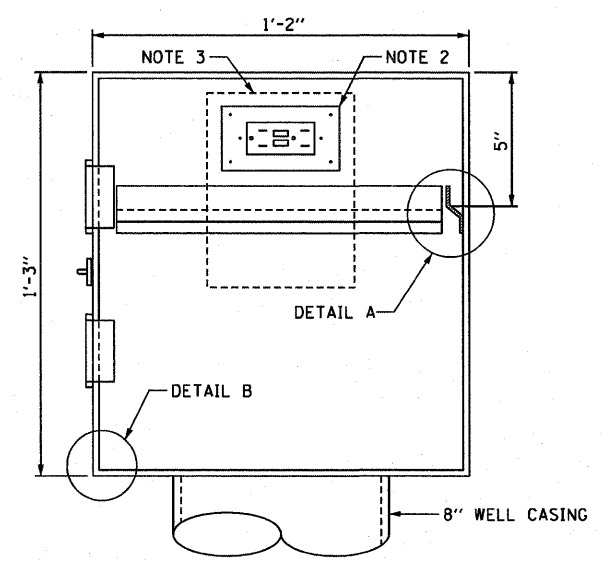
BASE PLATE PLAN
(NOT TO SCALE)



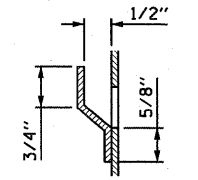
BASE PLATE DETAIL
(NOT TO SCALE)



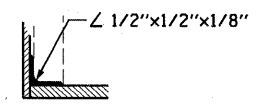
ENCLOSURE ELEVATION



ENCLOSURE SIDE VIEW



DETAIL A
NOTE 7



DETAIL B



DETAIL C

TYPICAL RECORDER WELL INSTRUMENT ENCLOSURE
(NOT TO SCALE)

| | | | | | | | | | | | | |
|----------------------------|----------------|-----------|---|---|-------------------------|----------------------|---|------------------|--------------------|------------------|---------------|--|
| USER NAME = lantz | DESIGNED - JPC | REVISED - | STATE OF ILLINOIS DEPARTMENT OF TRANSPORTATION | DEEP WELL DETAILS PROPOSED RECORDER WELL | | | F.A.I. RTE. 70 | SECTION 82-1-B-1 | COUNTY ST. CLAIR | TOTAL SHEETS 319 | SHEET NO. 113 | |
| PLOT SCALE = 2.0000' / in. | DRAWN - TCL | REVISED - | | SCALE: NONE | SHEET NO. 1 OF 1 SHEETS | STA. N/A TO STA. N/A | FED. ROAD DIST. NO. ILLINOIS FED. AID PROJECT | | CONTRACT NO. 76C75 | | | |
| PLOT DATE = *DATE* | CHECKED - WDS | REVISED - | | | | | | | | | | |
| | DATE - 3-18-11 | REVISED - | | | | | | | | | | |