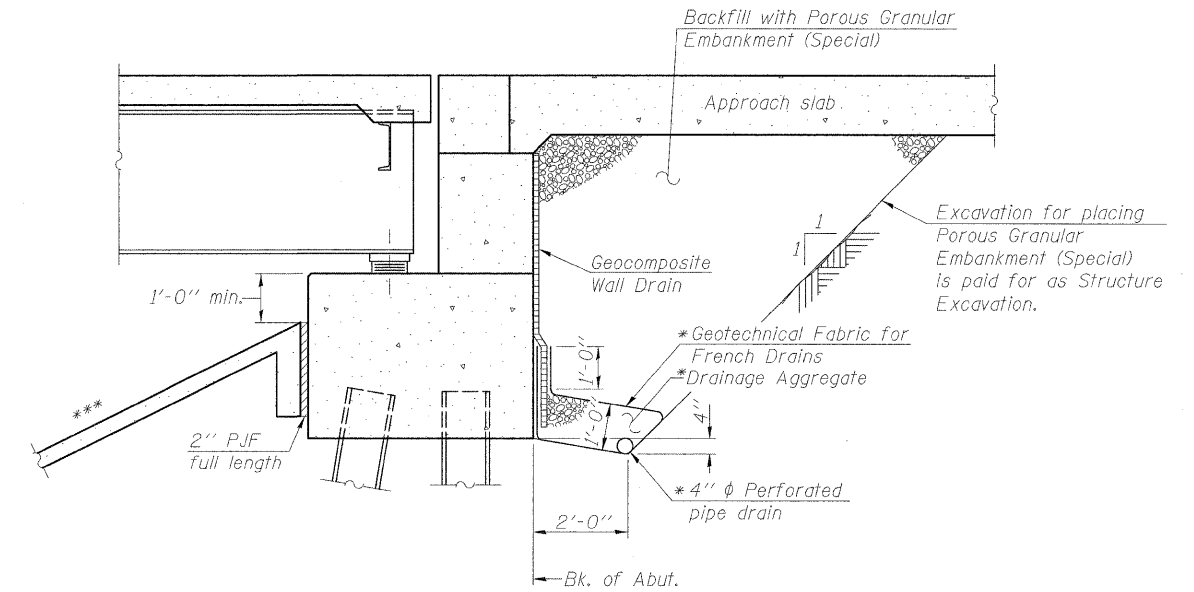


TOTAL BILL OF MATERIAL

DESCRIPTION	UNIT	S.N. 082-0323		S.N. 082-0325		TOTAL
		SUPER	SUB	SUPER	SUB	
POROUS GRANULAR EMBANKMENT, SPECIAL	CU. YD.		137.6		281.7	419.3
STRUCTURE EXCAVATION	CU. YD.		653.9		1,996.5	2,650.3
CONCRETE STRUCTURES	CU. YD.	11.0	742.4	28.9	2,474.6	3,256.8
CONCRETE SUPERSTRUCTURE	CU. YD.	761.9		3,149.2		3,911.1
BRIDGE DECK GROOVING	SQ. YD.	2,179		9,384		11,563
CONCRETE ENCASEMENT	CU. YD.		8.2		15.3	23.5
PROTECTIVE COAT	SQ. YD.	2,729		11,560		14,289
FURNISHING AND ERECTING STRUCTURAL STEEL	L. SUM	0.2		0.8		1
STUD SHEAR CONNECTORS	EACH	7869		48,171		56,040
REINFORCEMENT BARS, EPOXY COATED	POUND	208,040	183,290	846,300	517,060	1,754,690
BAR SPLICERS	EACH		44		97	141
SLOPE WALL 4 INCH	SQ. YD.		378		512	890
FURNISHING STEEL PILES HP14x89	FOOT		13,894		51,243	65,137
DRIVING PILES	FOOT		13,894		51,243	65,137
TEST PILE STEEL HP14x89	EACH		3		9	12
PILE SHOES	EACH		125		476	601
NAME PLATES	EACH	1		1		2
PREFORMED JOINT STRIP SEAL	FOOT	42				42
ELASTOMERIC BEARING ASSEMBLY, TYPE I	EACH	6				6
ELASTOMERIC BEARING ASSEMBLY, TYPE III	EACH	12		25		37
ANCHOR BOLTS, 1"	EACH	60		150		210
ANCHOR BOLTS, 1 1/4"	EACH	24		266		290
CONCRETE SEALER	SQ. FT.		5,376		11,597	16,973
GEOCOMPOSITE WALL DRAIN	SQ. YD.		51		108	159
PIPE UNDERDRAINS FOR STRUCTURES 4"	FOOT		48		105	153
CONDUIT EMBEDDED IN STRUCTURE, 2" DIA., PVC	FOOT	840	13	5,095	20	5,968
MECHANICAL SPLICERS	EACH		338		968	1,306
TEMPORARY SOIL RETENTION SYSTEM	SQ. FT.				942	942
HIGH LOAD MULTI-ROTATIONAL BEARINGS, FIXED - 500K	EACH			17		17
HIGH LOAD MULTI-ROTATIONAL BEARINGS, FIXED - 550K	EACH	6				6
HIGH LOAD MULTI-ROTATIONAL BEARINGS, FIXED - 600K	EACH			6		6
HIGH LOAD MULTI-ROTATIONAL BEARINGS, FIXED - 650K	EACH			10		10
HIGH LOAD MULTI-ROTATIONAL BEARINGS, GUIDED EXPANSION, 200K	EACH			6		6
HIGH LOAD MULTI-ROTATIONAL BEARINGS, GUIDED EXPANSION, 250K	EACH			6		6
HIGH LOAD MULTI-ROTATIONAL BEARINGS, GUIDED EXPANSION, 400K	EACH			6		6
HIGH LOAD MULTI-ROTATIONAL BEARINGS, GUIDED EXPANSION, 500K	EACH			6		6
HIGH LOAD MULTI-ROTATIONAL BEARINGS, GUIDED EXPANSION, 550K	EACH	6		6		12
HIGH LOAD MULTI-ROTATIONAL BEARINGS, GUIDED EXPANSION, 650K	EACH			9		9
PERMANENT STEEL SHEET PILING	SQ. FT.				2,430	2,430
DRAINAGE SCUPPERS, DS-11	EACH	2		13		15
DRAINAGE SYSTEM	L. SUM	0.25		0.75		1
MODULAR EXPANSION JOINT-SWIVEL 6"	FOOT			89		89
MODULAR EXPANSION JOINT-SWIVEL 9"	FOOT	40		68		108

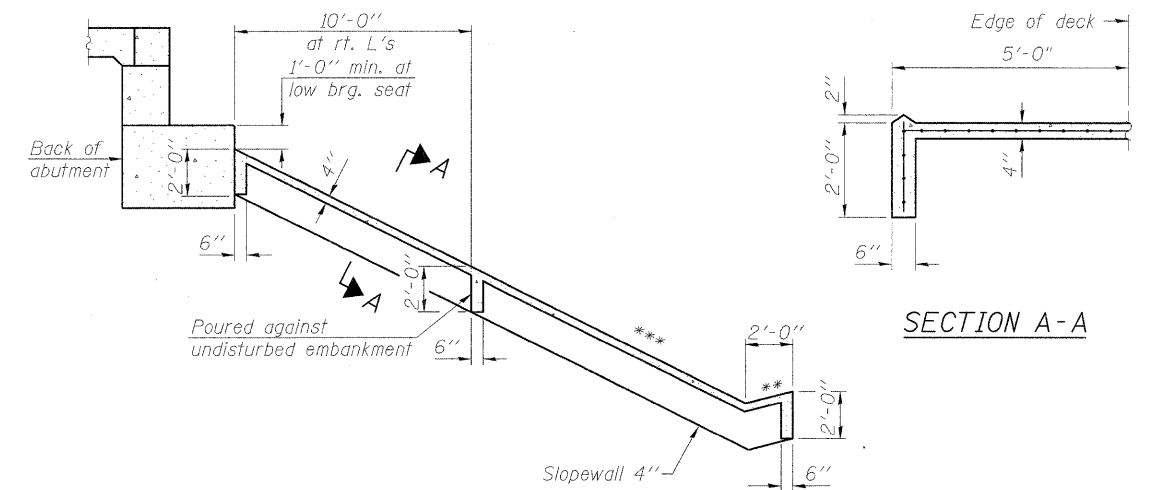


SECTION THRU PILE SUPPORTED  
STUB ABUTMENT  
(Horiz. dim. @ Rt. L's)

\*Included in the cost of Pipe Underdrains for Structures.

Note:

All drainage system components shall extend parallel to the abutment back wall until they intersect the wingwalls or 2'-0" from the end of the wingwalls when the wings are parallel to the abutment. The pipe shall extend under the wingwall, if necessary, until intersecting the side slopes. The pipes shall drain into concrete headwalls. (See Article 601.05 of the Standard Specifications and Highway Standard 601101).



TYPICAL SECTION THRU  
CONCRETE SLOPEWALL

Note:

Slope wall shall be reinforced with welded wire fabric, 6 in. x 6 in. - W4.0 x W4.0, weighing 58 lbs. per 100 sq. ft.

\*\*1:4 (V:H)

\*\*\*1:2 (V:H) at Rt. L's (082-0323 E. Abut. & 082-0325 W. Abut.)  
1:16 (V:H) at Rt. L's (082-0325 E. Abut.)



USER NAME = BhattA	DESIGNED - ATB	REVISED -
PLOT SCALE = 1/8" = 1' / in.	DRAWN - JHR	REVISED -
PLOT DATE = #DATE#	CHECKED - ATB	REVISED -
	DATE - 05-02-2011	REVISED -

STATE OF ILLINOIS  
DEPARTMENT OF TRANSPORTATION

TOTAL BILL OF MATERIAL & ABUTMENT SECTIONS  
I-70W OVER I-55, CSX & KCS RAILROADS

SCALE: NONE SHEET NO. S-6 OF S-138 SHEETS STA. - TO STA. -

F.A.I. RTE.	SECTION	COUNTY	TOTAL SHEETS	SHEET NO.
70	82-1-B-1	ST. CLAIR	319	121
S.N. 082-0323 & S.N. 082-0325		CONTRACT NO. 76C75		
FED. ROAD DIST. NO.		ILLINOIS FED. AID PROJECT		