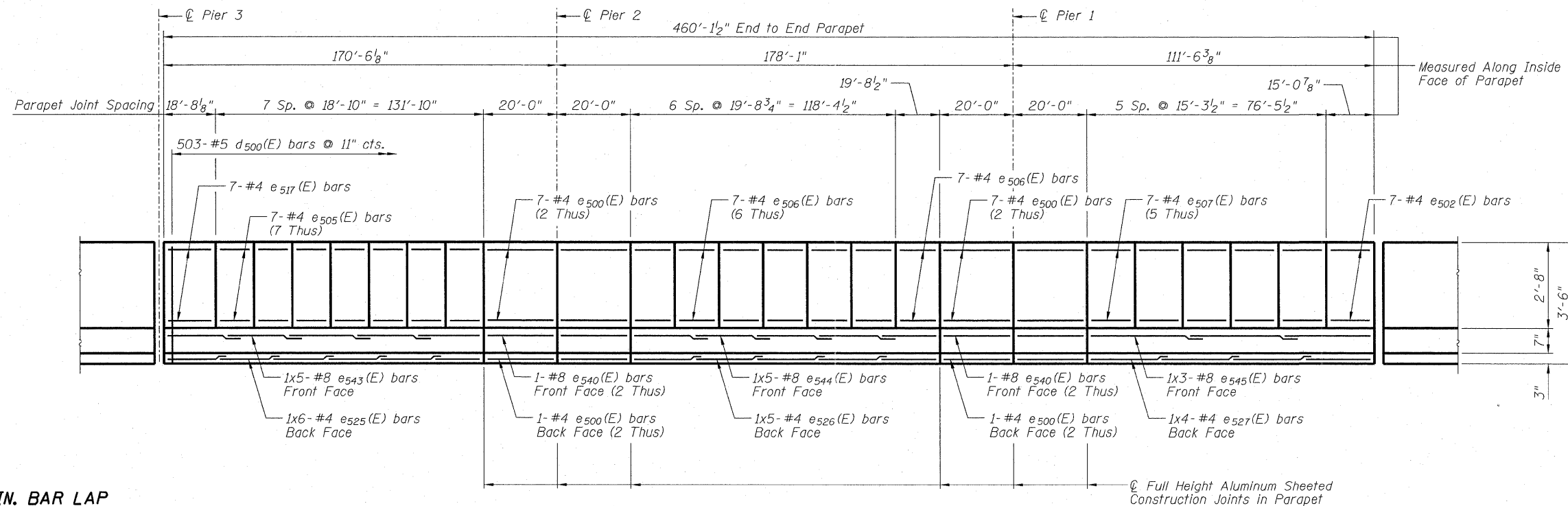


INSIDE ELEVATION OF SOUTH PARAPET - S.N. 082-0325 UNIT 1



INSIDE ELEVATION OF NORTH PARAPET - S.N. 082-0325 UNIT 1

MIN. BAR LAP
(Parapet)
#4 bar = 2'-0"
#8 bar = 5'-2"

D:\TR-0820323-0820325-76C75-540-Unit1\ParapetElevations-0825.dgn

	USER NAME = kprizm	DESIGNED - JLA	REVISED -	STATE OF ILLINOIS DEPARTMENT OF TRANSPORTATION	PARAPET ELEVATIONS - S.N. 082-0325 UNIT 1 I-70W OVER I-55, CSX & KCS RAILROADS		F.A.I. RTE.	SECTION	COUNTY	TOTAL SHEETS	SHEET NO.
	PLOT SCALE = 2.0000' / in.	CHECKED - SAW	REVISED -		SCALE: NONE	SHEET NO. 5-40 OF 5-138 SHEETS	STA.	TO STA.	70	82-1-B-1	ST. CLAIR
	PLOT DATE = #DATE#	DATE - 3-18-11	REVISED -				S.N. 082-0323 & S.N. 082-0325		CONTRACT NO. 76C75		
							FED. ROAD DIST. NO.		ILLINOIS FED. AID PROJECT		