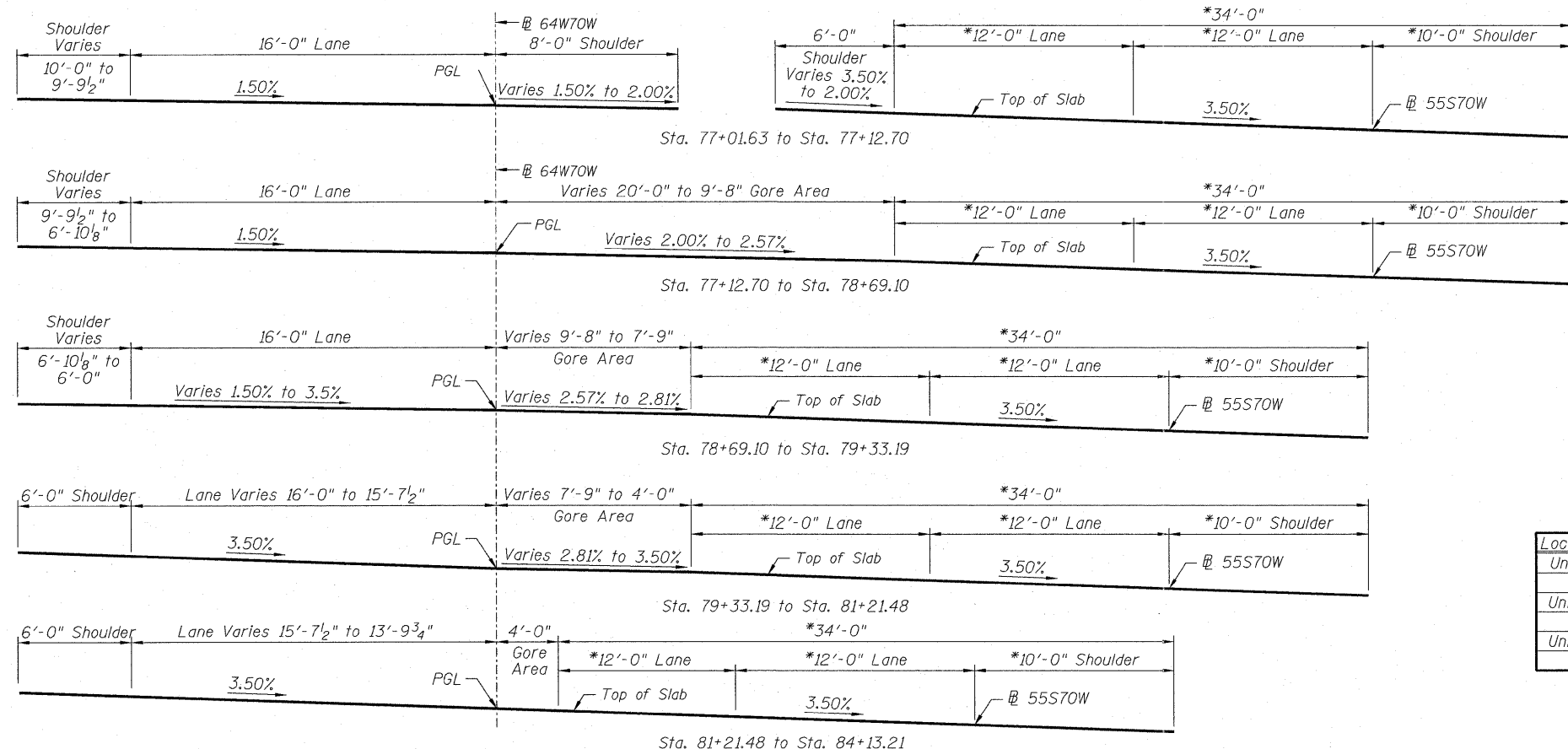


CROSS SECTION - S.N. 082-0325, UNIT 3

Looking Upstation
Dimensions Radial from @ 64W70W U.N.O.

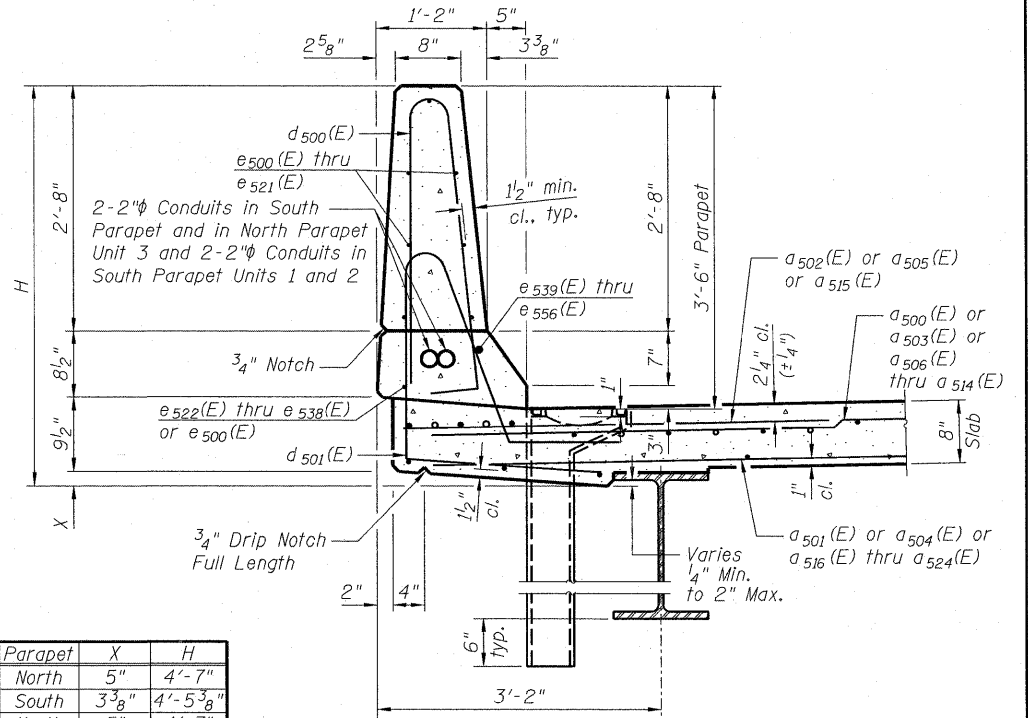
*Radial from @ 55S70W

Note:
Shoulder taper begins at Sta. 77+01.63 (shoulder width 10'-0") and ends at Sta. 79+13.90 (shoulder width 6'-0") along @ 64W70W.
Lane taper begins at Sta. 79+13.90 (lane width 16'-0") and ends at Sta. 86+08.31 (lane width 12'-0") along @ 64W70W.
Gore taper begins at Sta. 77+12.46 (gore width 20'-0") and ends at Sta. 81+21.48 (gore width 4'-0") along @ 64W70W.



DECK CROSS SLOPE DETAIL UNIT 3

Dimensions Radial from @ 64W70W U.N.O.



SECTION THRU PARAPET UNITS 1, 2 & 3

Location	Parapet	X	H
Unit 1	North	5"	4'-7"
	South	3 3/8"	4'-5 3/8"
Unit 2	North	5"	4'-7"
	South	4 1/4"	4'-6 1/4"
Unit 3	North	3 3/8"	4'-5 3/8"
	South	4 5/8"	4'-6 5/8"

D:\TRF\0820325-0820325-76C75-545-U.N.3\DeckCrossSections\0820325.dgn