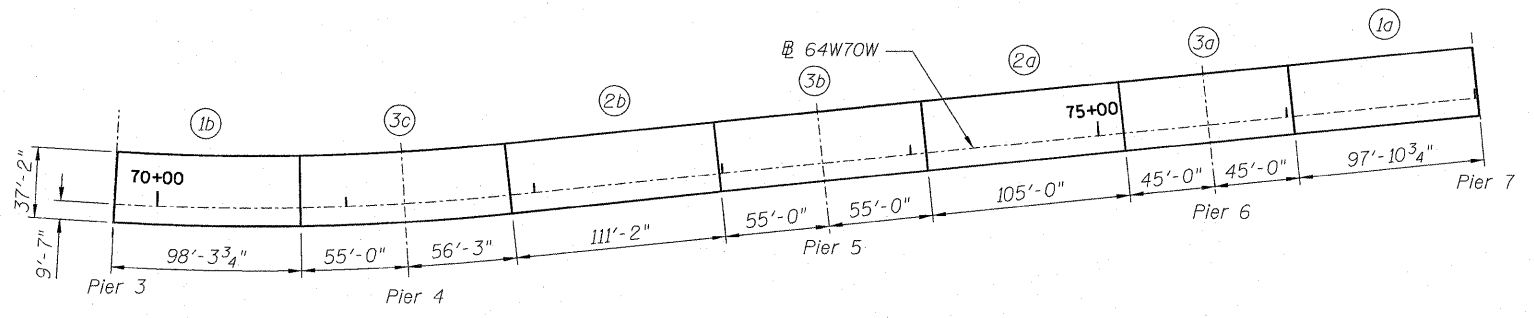
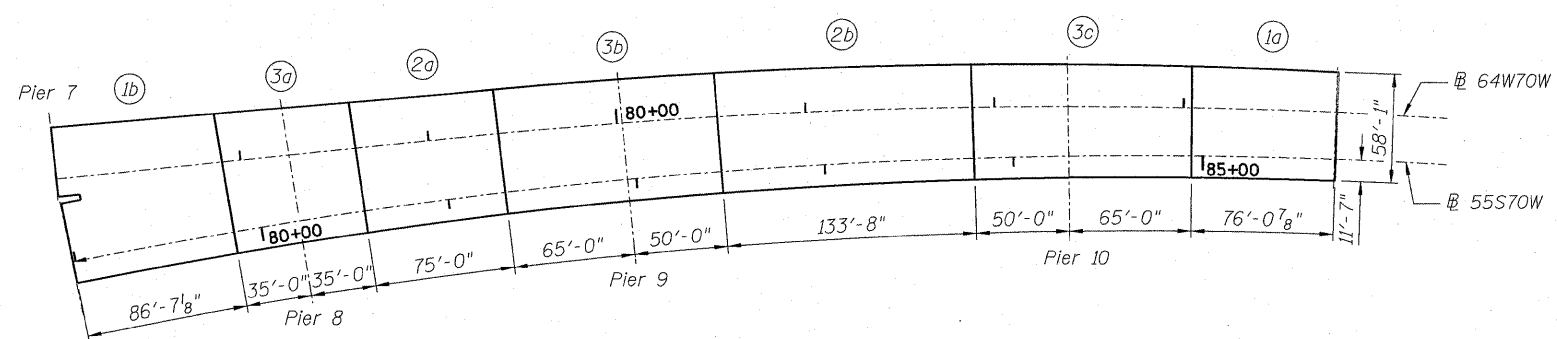


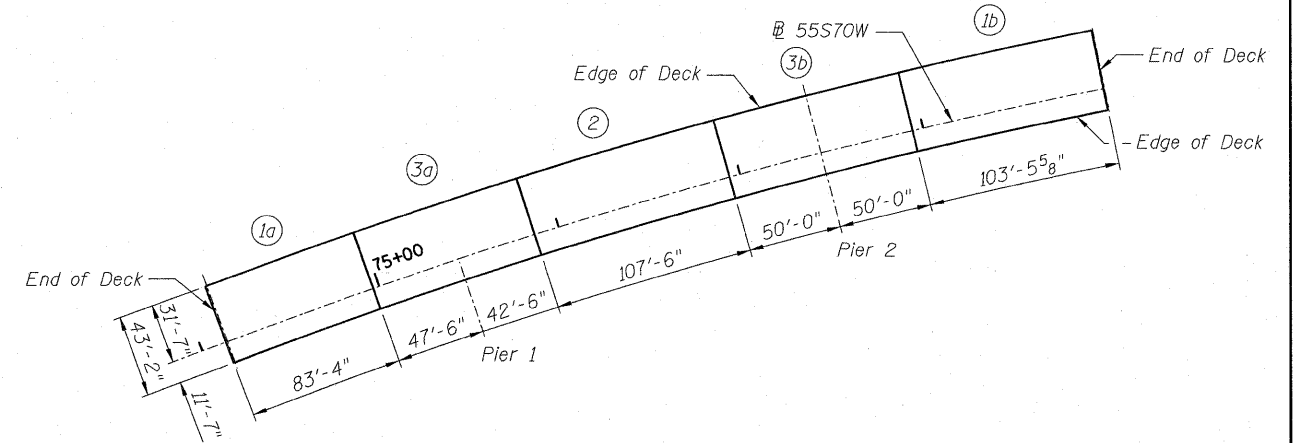
UNIT 1 - S.N. 082-0325
 Transverse joints radial to #64W70W



UNIT 2 - S.N. 082-0325
 Transverse joints radial to #64W70W



UNIT 3 - S.N. 082-0325
 Transverse joints radial to #55S70W



S.N. 082-0323
 Transverse joints radial to #55S70W

DECK POURING SEQUENCE

When the deck pour is stopped for the day at one or more of the transverse Bonded Construction Joints in the Deck Pouring Sequence as shown, the next pour shall not be made until both of the following requirements are met:

1. At least 72 hours shall have elapsed from the end of the previous pour.
2. The concrete strength shall have attained a minimum flexural strength of 650 psi or a minimum compressive strength of 3500 psi.

Numbers within the deck pouring sequence indicate the minimum number of group pours required for each unit. Letters next to the group pour numbers indicate the order if pour groups are further subdivided into individual pours. If the Contractor wishes to revise the deck pouring sequence, then the revised deck pouring sequence and calculations shall be submitted to the Engineer for review & approval. The calculations shall be prepared by and sealed by an Illinois Licensed Structural Engineer.

D:\TRF\0820323-0820325-76C75-548-DeckPouring.dgn

	USER NAME = krs12m	DESIGNED - JLA	REVISED -	STATE OF ILLINOIS DEPARTMENT OF TRANSPORTATION	DECK POURING SEQUENCE I-70W OVER I-55, CSX & KCS RAILROADS		F.A.I. RTE. 70	SECTION 82-1-B-1	COUNTY ST. CLAIR	TOTAL SHEETS 319	SHEET NO. 163
	PLOT SCALE = 2.0000' / 1"	CHECKED - SAW	REVISED -		SCALE: NONE	SHEET NO. 5-48 OF 5-138 SHEETS	STA. TO STA.	S.N. 082-0323 & S.N. 082-0325	CONTRACT NO. 76C75	FED. ROAD DIST. NO. ILLINOIS FED. AID PROJECT	
	PLOT DATE = #DATE#	DATE - 3-18-11	REVISED -								