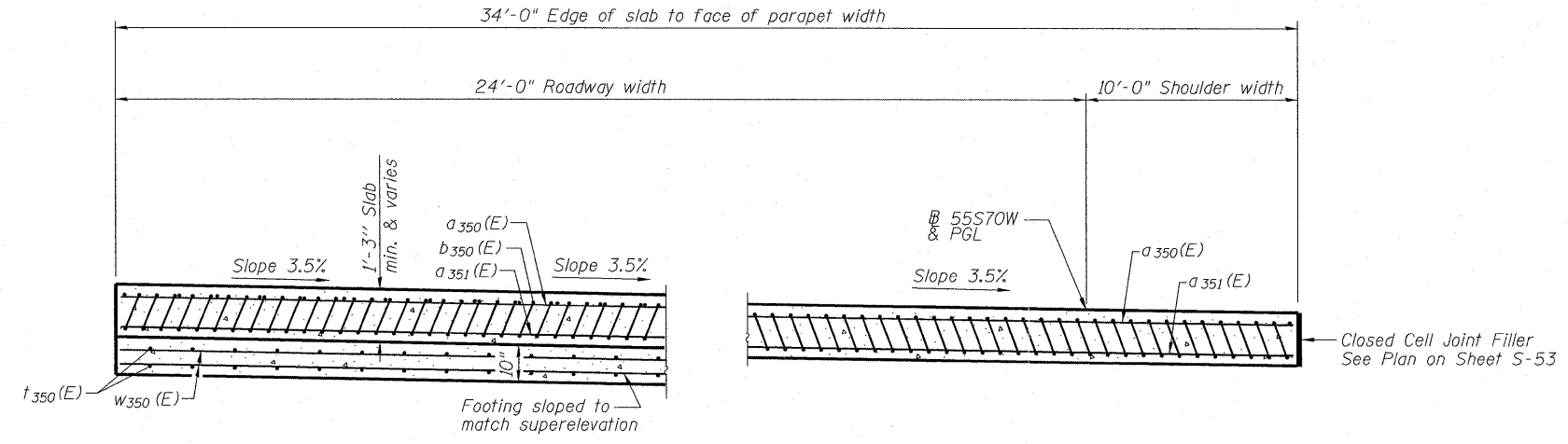
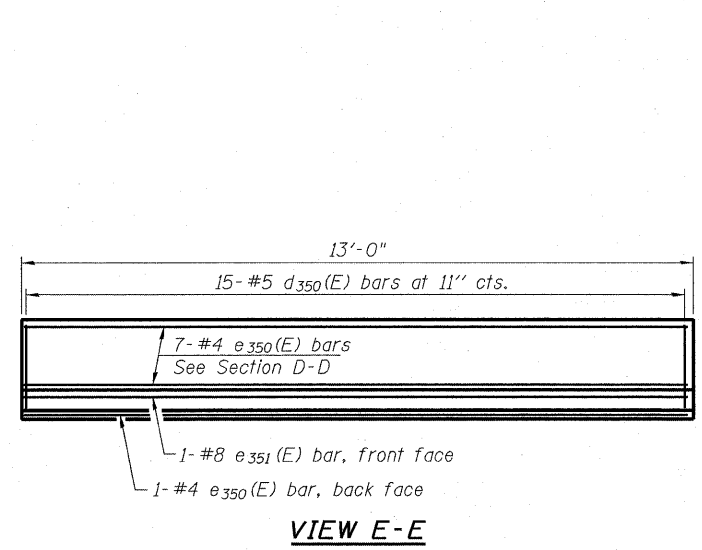


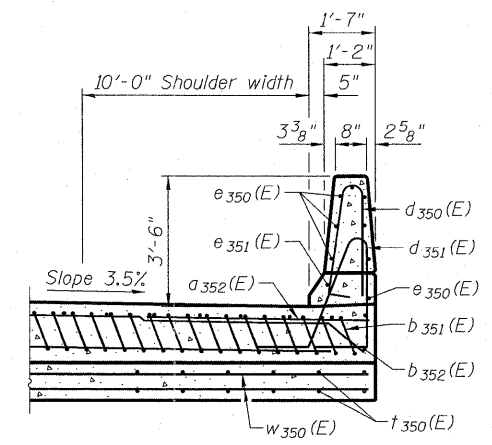
* Tilt #9 b351(E) bars as required to maintain clearance.
 *** Cost included with Concrete Superstructure.



SECTION D-D
 (See Plan for dimensions not shown)

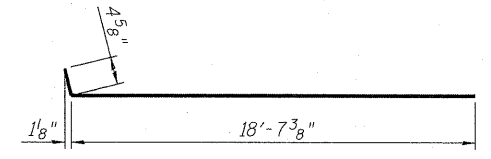


VIEW E-E

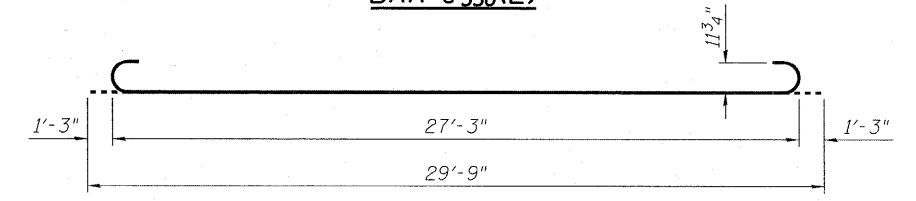


SECTION B-B

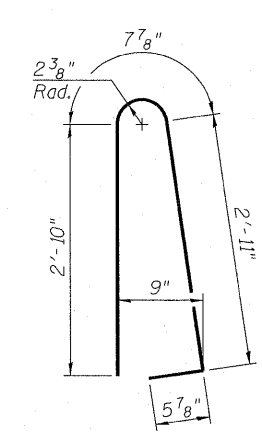
Notes:
 See sheet S-53 for Detail A.
 Approach slab and parapet concrete shall be paid for as Concrete Superstructure.
 Approach footing concrete shall be paid for as Concrete Structures.
 Reinforcement shall be paid for as Reinforcement Bars, Epoxy Coated.
 The approach footing maximum applied service bearing pressure (Qmax) = 2.0 ksf.
 Cost of excavation for approach footing included with Concrete Structures.
 For Porous Granular Embankment (Special) and drainage treatment details, see sheet S-6.



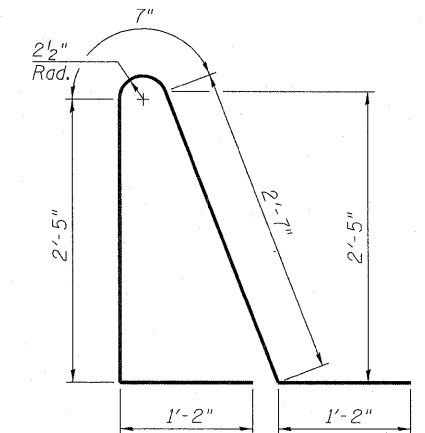
BAR a350(E)



BAR b351(E)



BAR d350(E)



BAR d351(E)

BILL OF MATERIAL

Bar	No.	Size	Length	Shape
a350(E)	50	#4	19'-0"	—
a351(E)	92	#5	18'-11"	—
a352(E)	11	#6	6'-6"	—
b350(E)	29	#4	29'-8"	—
b351(E)	84	#9	29'-9"	—
b352(E)	1	#4	12'-8"	—
d350(E)	15	#5	6'-11"	∩
d351(E)	15	#5	7'-11"	∩
e350(E)	8	#4	12'-8"	—
e351(E)	1	#8	12'-8"	—
t350(E)	74	#4	9'-8"	—
w350(E)	80	#5	18'-11"	—
Concrete Superstructure			Cu. Yd.	57.0
Concrete Structures			Cu. Yd.	11.0
Reinforcement Bars, Epoxy Coated			Pound	14,030
Bridge Deck Grooving			Sq. Yd.	127
Protective Coat			Sq. Yd.	119

DB1R1-0820323-06262325-76C75-S54-EPpprS1ab2-023.dgn