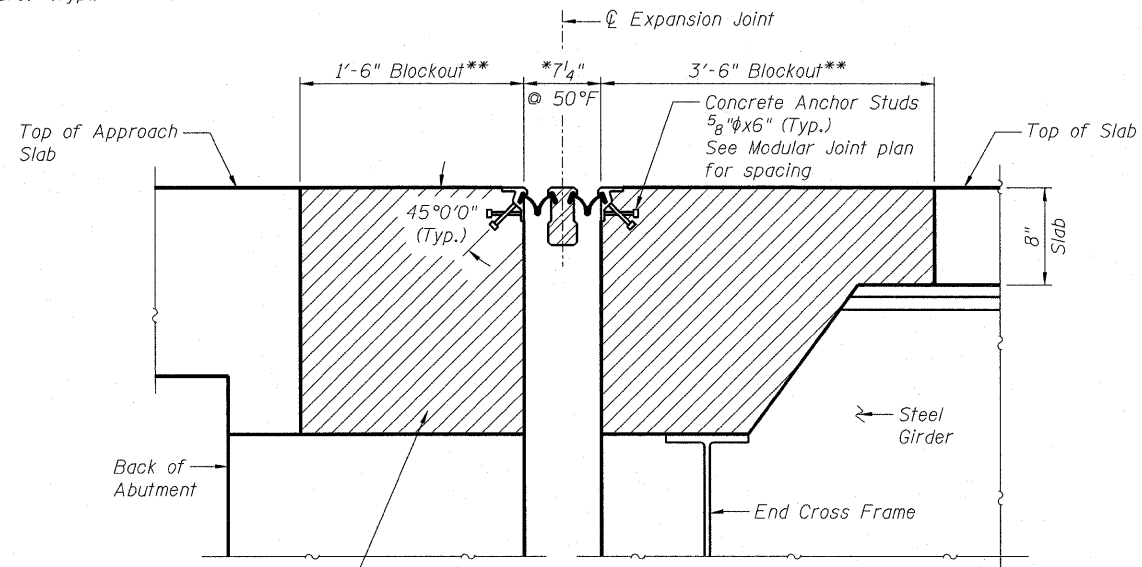


Concrete in blockout shall be poured after the joint assembly has been positioned and adjusted. Quantity of concrete is included with "Concrete Superstructure." (Typ.)

**SECTION B-B**

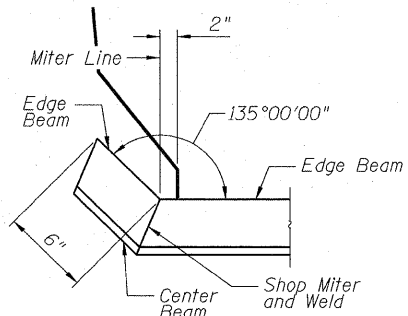


Concrete in blockout shall be poured after the joint assembly has been positioned and adjusted. Quantity of concrete is included with "Concrete Superstructure." (Typ.)

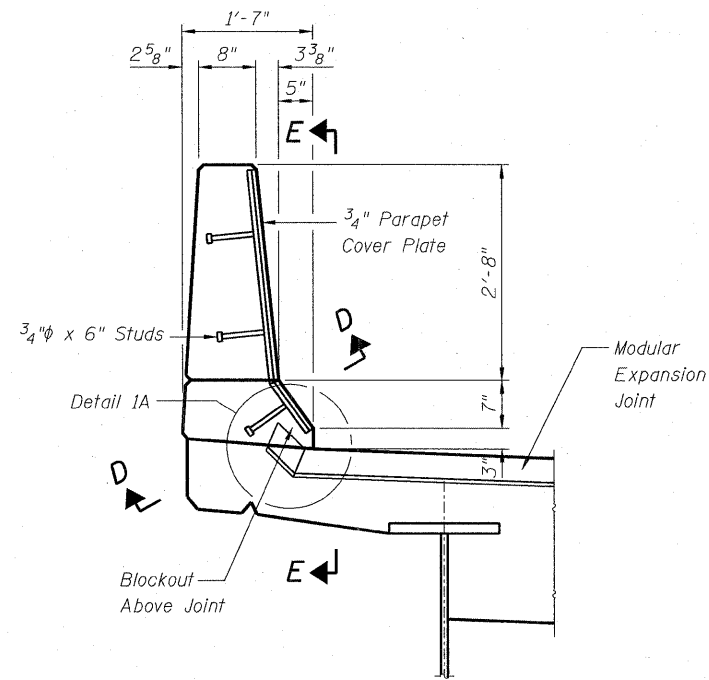
**SECTION C-C**

\*Number of beams and seals determined by manufacturer

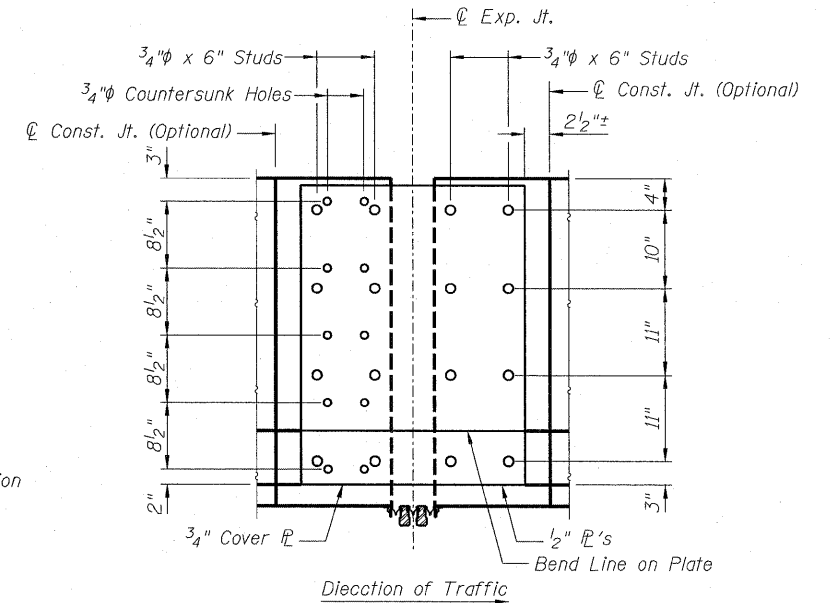
\*\* Blockout dimensions to be verified by Contractor with Joint Manufacturer.



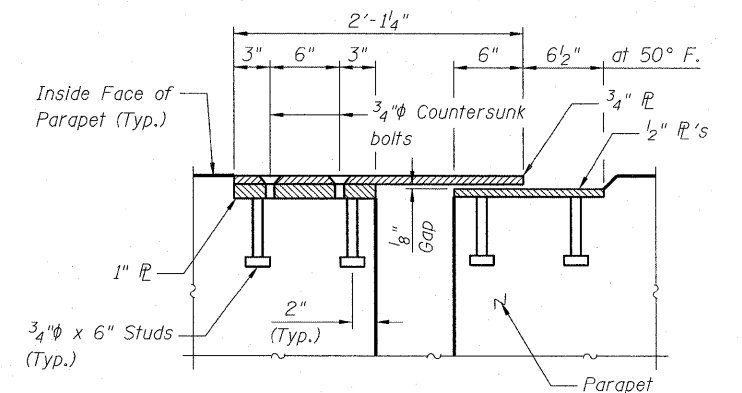
**DETAIL 1A**



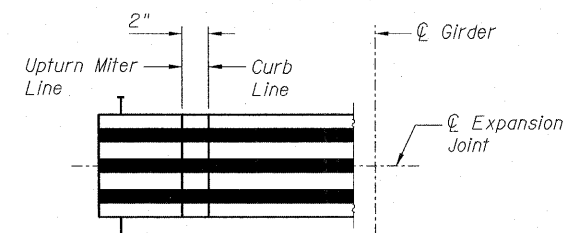
**DETAIL 1**



**SECTION E-E**



**SECTION D-D**



**DETAIL 2**

081R1-0820323-0020325-76C75-S60-HFL-Abutment.dwg

AECOM	ZROKA Engineering	USER NAME = kriterm	DESIGNED - JLA	REVISED -	STATE OF ILLINOIS DEPARTMENT OF TRANSPORTATION	MODULAR EXPANSION JOINT DETAILS I		F.A.I. RTE. 70	SECTION 82-1-B-1	COUNTY ST. CLAIR	TOTAL SHEETS 319	SHEET NO. 175
		PLOT SCALE = 2.0000' / in.	DRAWN - DAZ	REVISED -		SCALE: NONE	SHEET NO. S-60 OF S-138 SHEETS	STA. TO STA.	S.N. 082-0323 & S.N. 082-0325	CONTRACT NO. 76C75	FED. ROAD DIST. NO. [ILLINOIS] FED. AID PROJECT	
		PLOT DATE = #DATE#	CHECKED - SAW	REVISED -								
			DATE - 3-18-11	REVISED -								