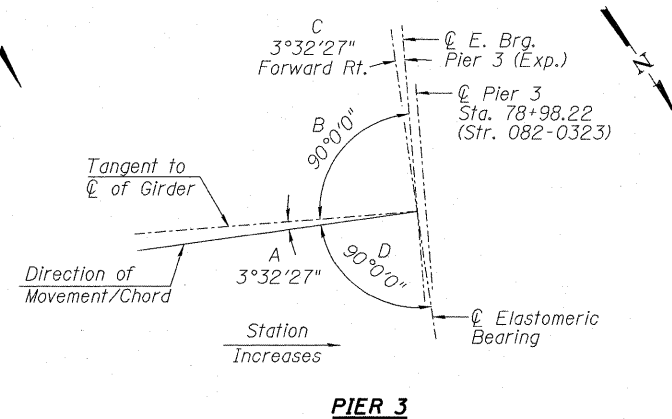
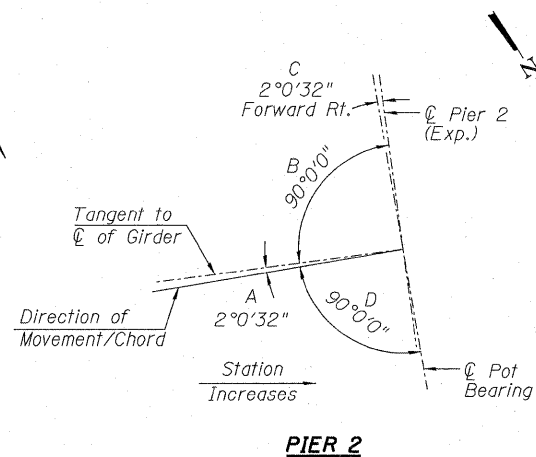
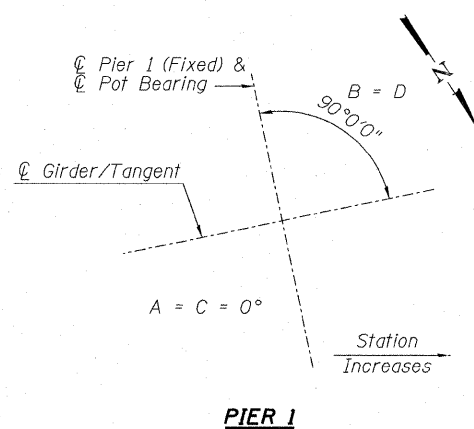
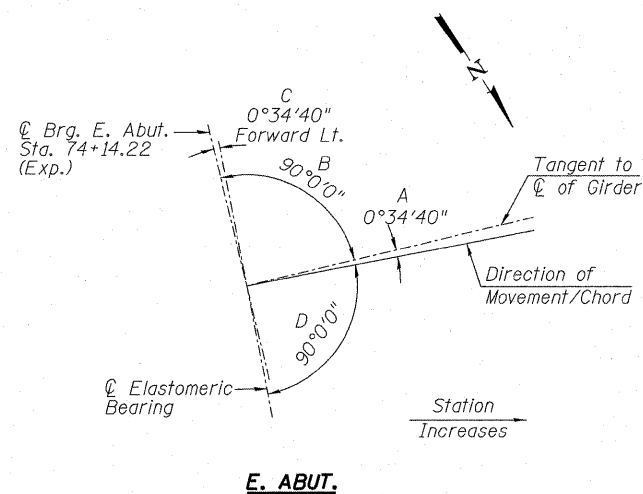


BEARING LAYOUT - S.N. 082-0323

- Notes:
- A = Angle between Tangent to Girder and Direction of Movement.
 - B = Angle between Tangent to Girder and \mathcal{C} of Pier or Abutment.
 - C = Setting angle between \mathcal{C} of Bearing Base Plate and \mathcal{C} of Pier or Abutment.
 - D = Set Bearing Base Plates at right angles to the Direction of Movement/Chord.



BEARING ORIENTATION - S.N. 082-0323

P:\P8006699\980_CAD\980_Drawing\765208_Master_Construction\Structural\082-0323_Sheet\5883_082-0323_0325L_765208_Bearing.dgn



USER NAME = bhettA	DESIGNED - LLV	REVISED -
PLOT SCALE = 0.1667' / in.	DRAWN - BRD	REVISED -
PLOT DATE = *DATE*	CHECKED -	REVISED -
	DATE - 03/18/2011	REVISED -

STATE OF ILLINOIS
DEPARTMENT OF TRANSPORTATION

BEARING LAYOUT & ORIENTATION - S.N. 082-0323
I-70W OVER I-55, CSX & KCS RAILROADS

SCALE: NONE SHEET NO. S-83 OF S-138 SHEETS STA. TO STA.

F.A.I. RTE.	SECTION	COUNTY	TOTAL SHEETS	SHEET NO.
70	B2-1-B-1	ST. CLAIR	319	198
S.N. 082-0323 & S.N. 082-0325			CONTRACT NO. 76C75	
FED. ROAD DIST. NO.		ILLINOIS FED. AID PROJECT		