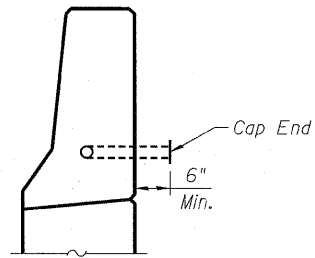
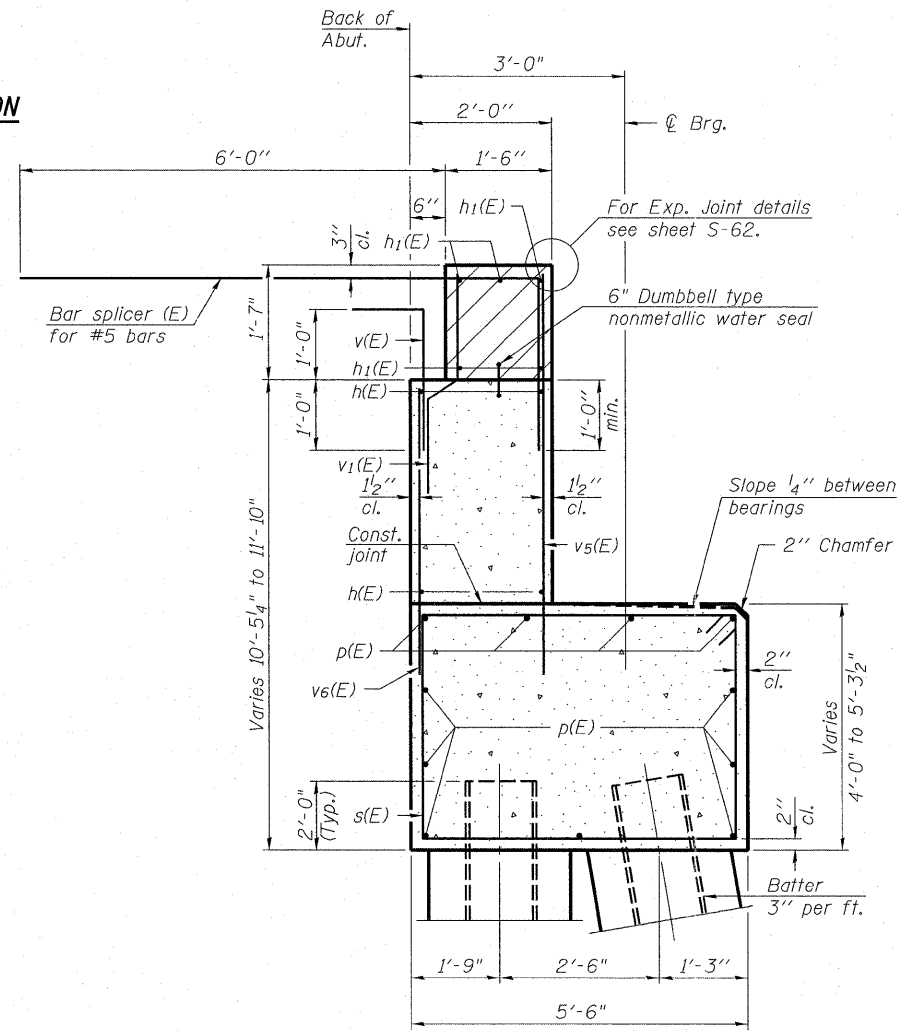


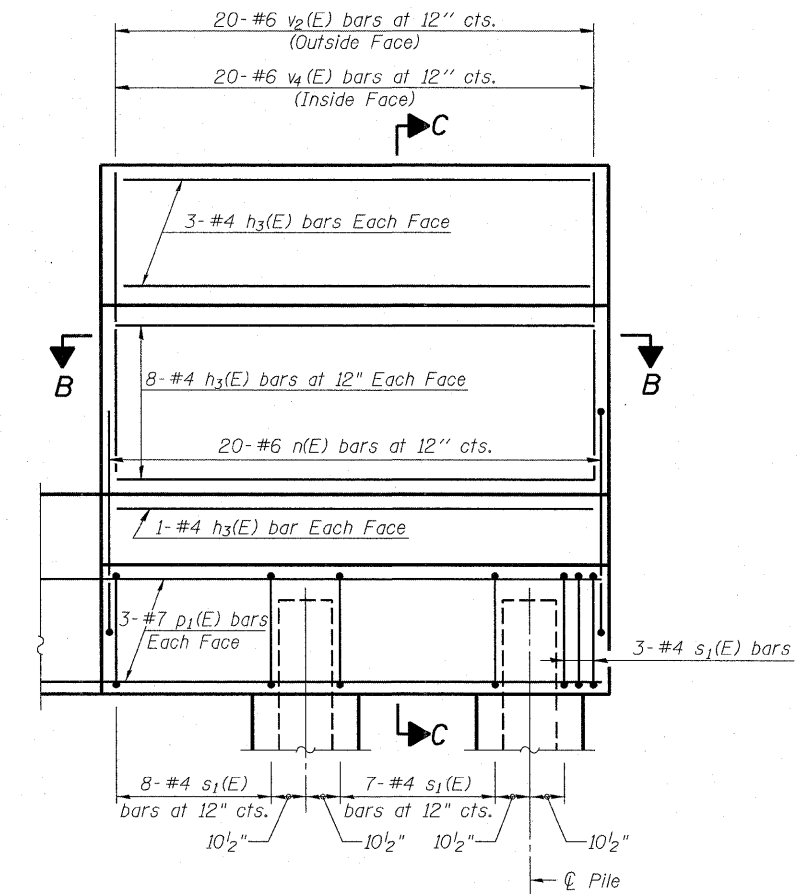
WING WALL ELEVATION
Showing Dimensions
(Facing South)



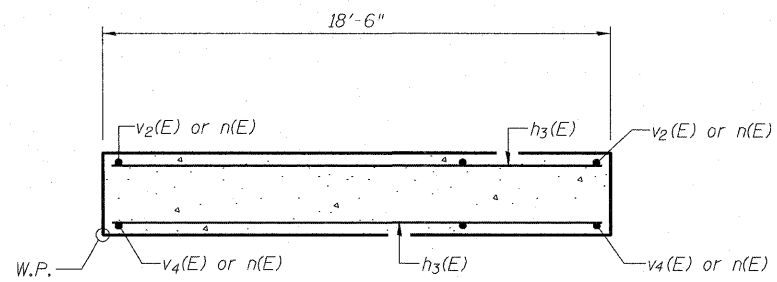
VIEW A-A



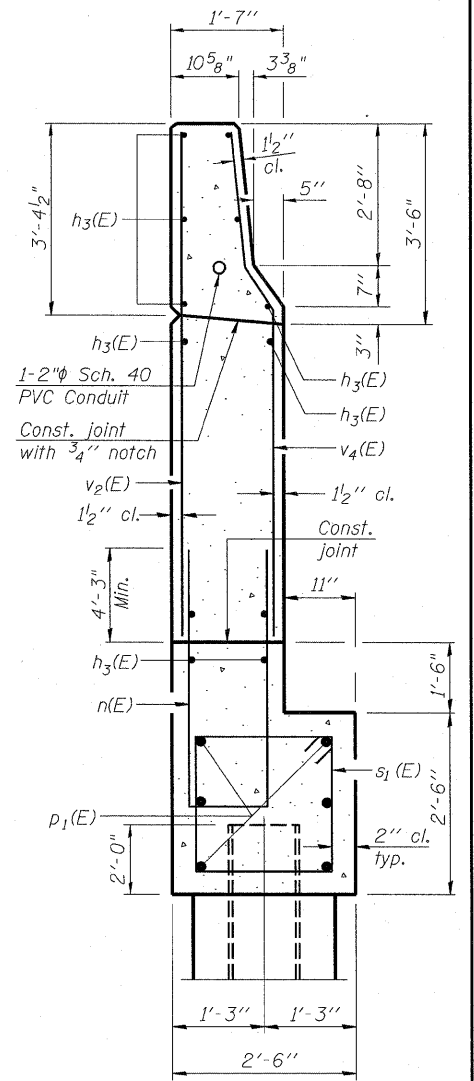
SEC. THRU ABUT.



WING WALL ELEVATION
Showing Reinforcement
(Facing North)



SECTION B-B



SECTION C-C

NOTES:

1. Hatched area to be poured after superstructure false work has been removed. Quantity of concrete included with Concrete Superstructure.
2. Space reinforcement in cap to miss anchor bolts.
3. Pour steps monolithically with cap.
4. For details of Bar Splicers, see sheet S-123.
5. For details of piles and Concrete Encasement, see sheet S-122.
6. See Electrical plans for Conduit termination details.

P:\60804\6693\908_CAD\9101_Draining\766208_Master_Consolidated\Structural\082-0323\Sheet\SP95_082-0323_766208_EastAbutDwg.dgn



USER NAME = BhattA	DESIGNED - DEV	REVISED -
PLOT SCALE = 0:2" = 1'-0"	DRAWN - GF	REVISED -
PLOT DATE = #DATE#	CHECKED - ATB	REVISED -
	DATE - 03/18/2011	REVISED -

**STATE OF ILLINOIS
DEPARTMENT OF TRANSPORTATION**

**EAST ABUTMENT DETAILS - S.N. 082-0323
I-70W OVER I-55, CSX & KCS RAILROADS**

SCALE: NONE SHEET NO. S-95 OF S-138 SHEETS STA. TO STA.

F.A.I. RTE.	SECTION	COUNTY	TOTAL SHEETS	SHEET NO.
70	82-1-B-1	ST. CLAIR	319	210
S.N. 082-0323 & S.N. 082-0325			CONTRACT NO. 76C75	
FED. ROAD DIST. NO. [ILLINOIS] FED. AID PROJECT				