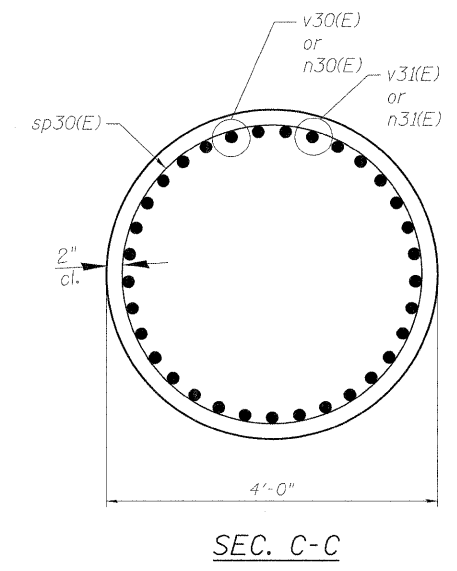
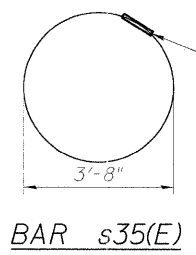
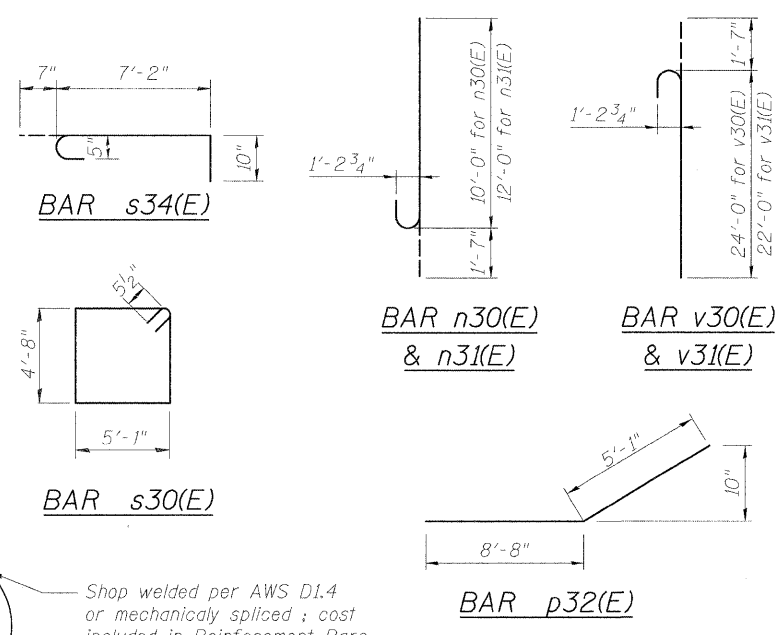
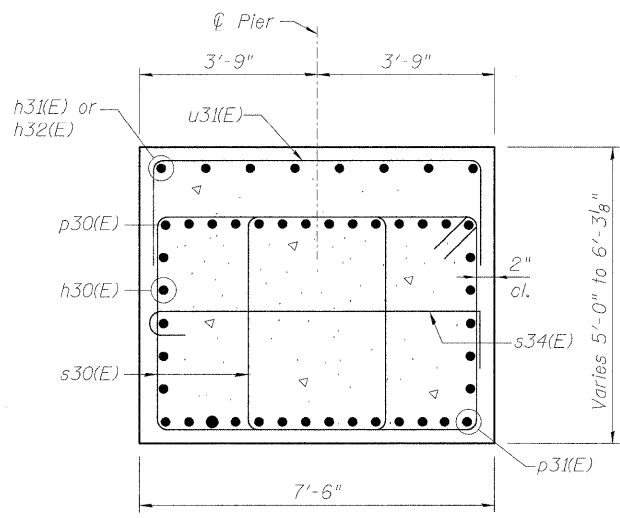


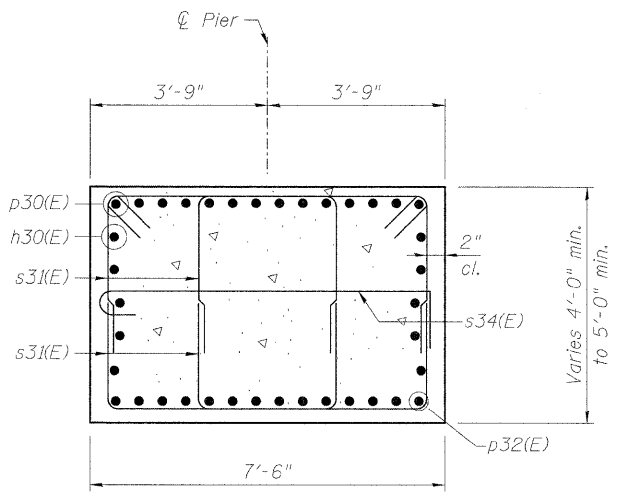
FOOTING PLAN



SEC. C-C



SEC. A-A

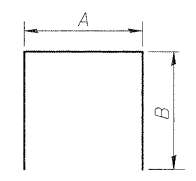


SEC. B-B

PILE DATA

Type: HP14x89
 Nominal Required Bearing: 500 kips
 Factored Resistance Available: 250 kips
 Estimated Length: 112 ft.
 Number of Production Piles: 31
 Number of Test Piles: 1

A & B DIMENSIONS



Bar	A	B
p30(E)	44'-8"	2'-0"
s31(E)	5'-1"	3'-8"
t30(E)	16'-8"	3'-8"
t31(E)	16'-8"	3'-8"
u30(E)	7'-0"	3'-1"
u31(E)	7'-2"	1'-0"
w30(E)	37'-8"	4'-0"

BARS p30(E), s31(E), t30(E), t31(E), u30(E), u31(E), & w30(E)

BILL OF MATERIAL

Bar	No.	Size	Length	Shape
h30(E)	10	#5	44'-8"	—
h31(E)	8	#5	29'-6"	—
h32(E)	8	#5	14'-10"	—
n30(E)	51	#11	11'-7"	⌒
n31(E)	51	#11	13'-7"	⌒
p30(E)	14	#10	48'-8"	⌒
p31(E)	14	#10	35'-8"	⌒
p32(E)	28	#8	13'-9"	⌒
s30(E)	84	#5	20'-5"	⌒
s31(E)	188	#5	12'-5"	⌒
s34(E)	45	#5	8'-7"	⌒
s35(E)	48	#5	11'-6"	○
sp30(E)	3	#5	26'-4"	⌒
t30(E)	57	#8	24'-0"	⌒
t31(E)	60	#11	24'-0"	⌒
u30(E)	14	#6	13'-2"	⌒
u31(E)	46	#5	9'-2"	⌒
v30(E)	51	#11	25'-7"	⌒
v31(E)	51	#11	23'-7"	⌒
w30(E)	51	#8	45'-8"	⌒
Item		Unit	Quantity	
Concrete Structures		Cu. Yd.	219.1	
Reinforcement Bars, Epoxy Coated		Pound	54,330	
Furnishing Steel Piles HP14x89		Foot	3472	
Driving Piles		Foot	3472	
Test Pile Steel HP14x89		Each	1	
Pile Shoes		Each	32	
Concrete Sealer		Sq Ft	2199	
Mechanical Splicers		Each	102	

** Length is height of spiral



USER NAME = BhattA	DESIGNED - ATB	REVISED -
PLOT SCALE = 1/4" = 1'-0"	DRAWN - PMM	REVISED -
PLOT DATE = #DATE#	CHECKED - ATB	REVISED -
	DATE - 05-02-11	REVISED -

**STATE OF ILLINOIS
DEPARTMENT OF TRANSPORTATION**

**PIER 3 DETAILS S.N. 082-0323
I-70W OVER I-55, CSX & KCS RAILROADS**

F.A.I. RTE.	SECTION	COUNTY	TOTAL SHEETS	SHEET NO.
70	82-1-B-1	ST. CLAIR	319	220
S.N. 082-0323 & S.N. 082-0325		CONTRACT NO. 76C75		
FED. ROAD DIST. NO.		ILLINOIS FED. AID PROJECT		

SCALE: NONE SHEET NO. S-105 OF S-138 SHEETS STA. TO STA.