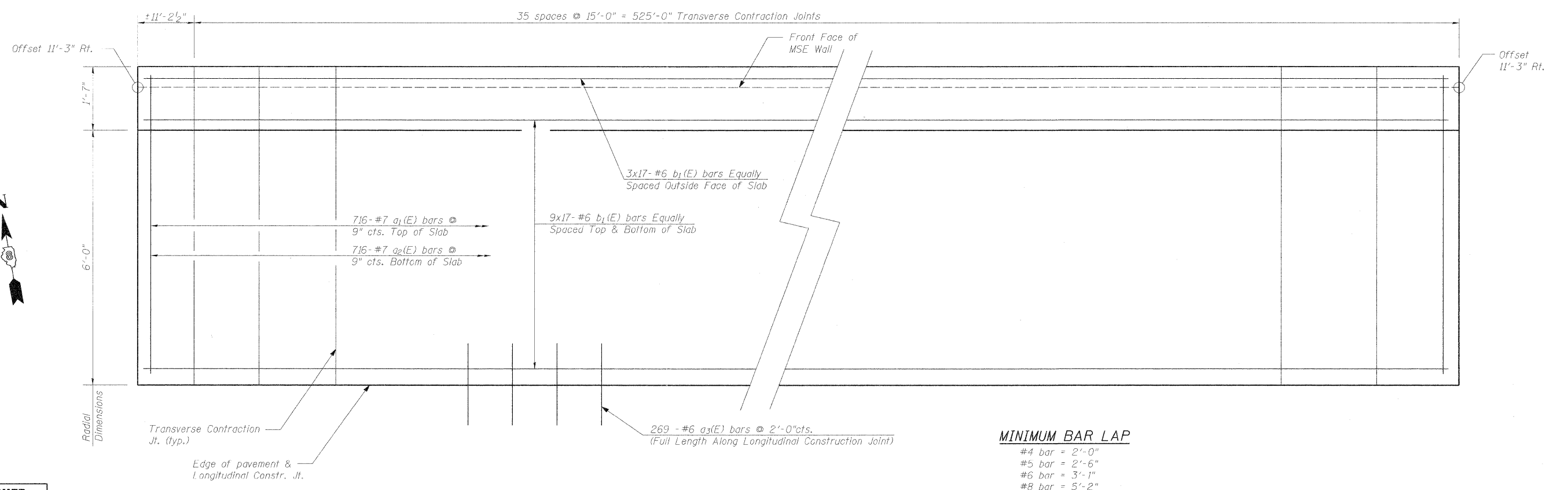


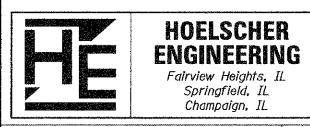
INSIDE ELEVATION OF PARAPET



PLAN - PARAPET AND ANCHORAGE SLAB
(offsets from 55S70W)

MINIMUM BAR LAP
 #4 bar = 2'-0"
 #5 bar = 2'-6"
 #6 bar = 3'-1"
 #8 bar = 5'-2"

- Notes:
1. For Section A-A, see Sheet No. 4.
 2. Bars indicated 9x17 - #6 etc. indicates 9 lines with 17 bars per line.
 3. For drainage structure location, type and size see Sheet No. 58 thru. 60.



FILE NAME = 082-W302.76C75.final plan S3.dgn	USER NAME = BhattA	DESIGNED - CMW	REVISED CMW 12-20-10	STATE OF ILLINOIS DEPARTMENT OF TRANSPORTATION	RETAINING WALL 082-W302 PARAPET & ANCHORAGE SLAB	F.A.P. RTE. 998	SECTION 82-1-IHB	COUNTY ST. CLAIR	TOTAL SHEETS 319	SHEET NO. 274		
PLOT SCALE = 0:1.000000 1" / 1'	CHECKED - JSA	REVISED CMW 02-28-11	SCALE: N.T.S.			SHEET NO. 3 OF 13 SHEETS	STA. 65+50.00 TO STA. 70+90.00	CONTRACT NO. 76C75		ILLINOIS FED. AID PROJECT		
PLOT DATE = 5/3/2011	DATE - 04-07-2011	REVISED -										