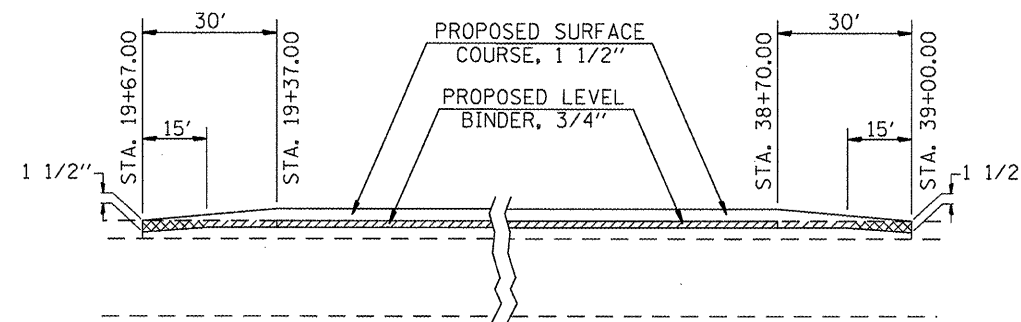


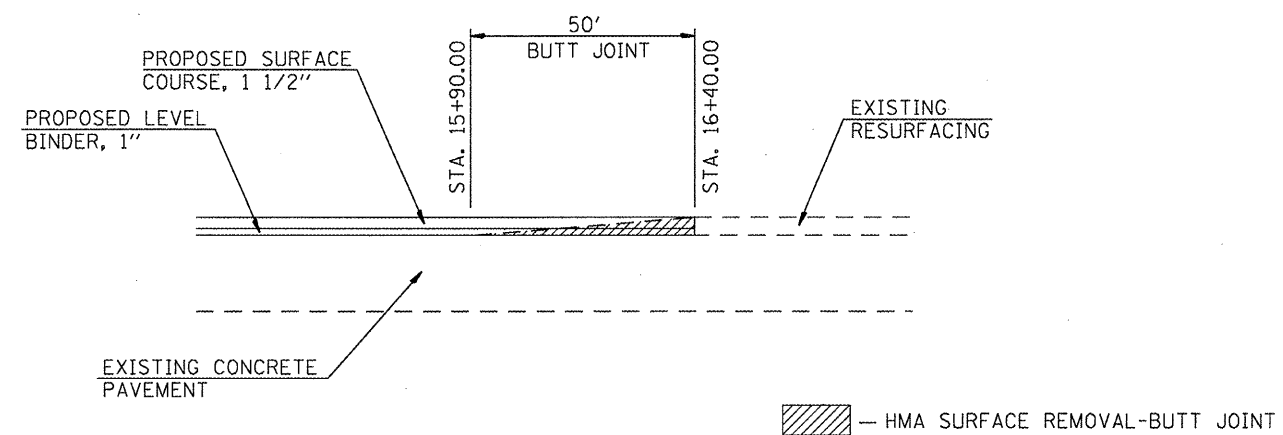
JOINT DETAIL
(AREA 1)



HMA BUTT JOINT DETAIL
(AREA 2)

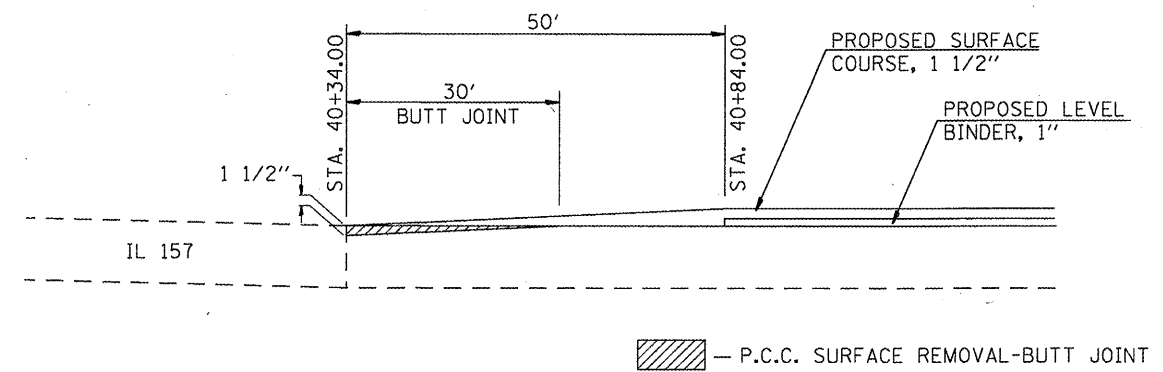
- HMA SURFACE REMOVAL-BUTT JOINT

Note:
USE SAME BUTT-JOINT AT END OF
IL 111 (59TH ST.) RESURFACING.



HMA BUTT JOINT DETAIL
(AREA 1)

- HMA SURFACE REMOVAL-BUTT JOINT



P.C.C. BUTT JOINT DETAIL
(AREA 3)

- P.C.C. SURFACE REMOVAL-BUTT JOINT

FILE NAME =	USER NAME = #USER#	DESIGNED - ---	REVISED - ---
#FILE#		DRAWN - ---	REVISED - ---
	PLOT SCALE = #SCALE#	CHECKED - ---	REVISED - ---
	PLOT DATE = #DATE#	DATE - ---	REVISED - ---

STATE OF ILLINOIS
DEPARTMENT OF TRANSPORTATION

RESURFACING DETAILS

F.A.P. RTE.	SECTION	COUNTY	TOTAL SHEETS	SHEET NO.
9185	10-IRS-1	ST. CLAIR	25	23
SCALE: _____		SHEET NO. ___ OF ___ SHEETS		STA. _____ TO STA. _____
FED. ROAD DIST. NO. _____ ILLINOIS FED. AID PROJECT				
CONTRACT NO. 76E15				