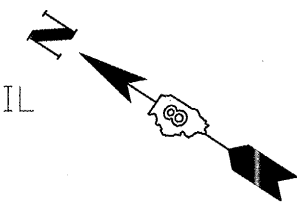
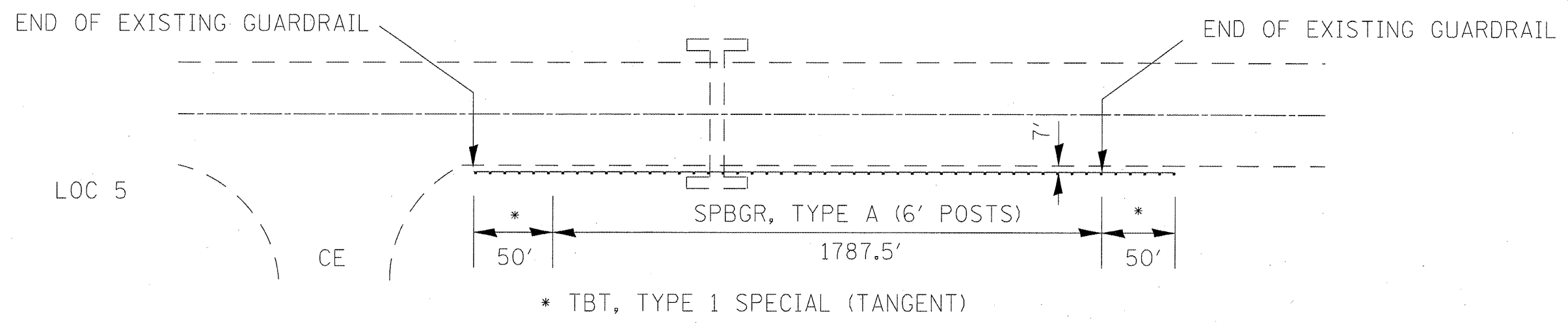


EXISTING

NOT TO SCALE



PROPOSED

NOT TO SCALE

FILE NAME = #FILEL#	USER NAME = #USER#	DESIGNED - ---	REVISED - ---	<b>STATE OF ILLINOIS</b> <b>DEPARTMENT OF TRANSPORTATION</b>	<b>PLAN SHEET</b>		F.A.P. RTE.	SECTION	COUNTY	TOTAL SHEETS	SHEET NO.
	PLOT SCALE = #SCALE#	CHECKED - ---	REVISED - ---		312	122-J	RANDOLPH	93	13		
	PLOT DATE = #DATE#	DATE - ---	REVISED - ---		LOCATION 6 - MM 2.0-2.4 (SN 079-2425)		CONTRACT NO. 76E33				
				SCALE: -----	SHEET NO. 5 OF 12 SHEETS	STA. ----- TO STA. -----	ILLINOIS FED. AID PROJECT				