

CONTROLLER #2		
MESSAGE AREA		
A	B	C
43	400	480
44	400	480
45	400	480
48	400	480
49	400	480
54	400	480
57	400	480
59	400	480
61	400	480
62	400	480
63	400	480
64	400	480
65	400	480
66	400	480
67	400	480
69	400	480
71	400	480
72	400	480
73	400	480
76	400	480
77	400	480

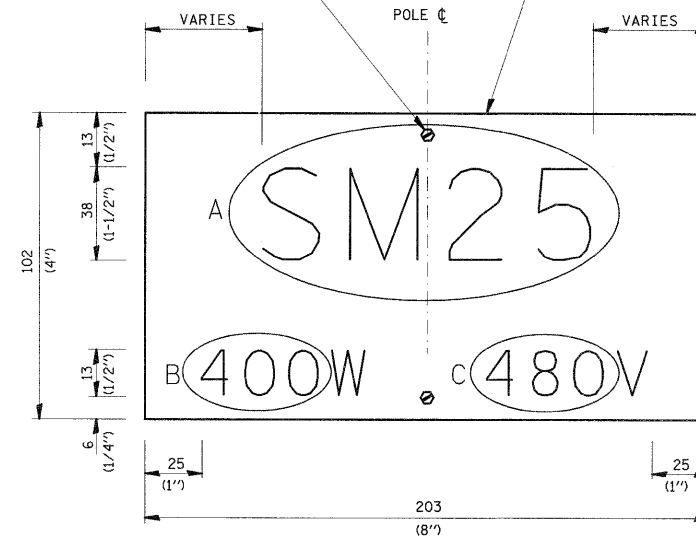
CONTROLLER #3		
MESSAGE AREA		
A	B	C
83	400	480
84	400	480
88	400	480
108	400	480
110	400	480
111	400	480
113	400	480
114	400	480
115	400	480
116	400	480

CONTROLLER #4		
MESSAGE AREA		
A	B	C
1	400	480
2	400	480
3	400	480
4	400	480
5	400	480
6	400	480
7	400	480
8	400	480
9	400	480
10	400	480
11	400	480
12	400	480
13	400	480
14	400	480
15	400	480
16	400	480
17	400	480
18	400	480
19	400	480
20	400	480
21	400	480
22	400	480
23	400	480
24	400	480
25	400	480
26	400	480
27	400	480
28	400	480
29	400	480
30	400	480
31	400	480
32	400	480
33	400	480
34	400	480
35	400	480
36	400	480
37	400	480
38	400	480
39	400	480
40	400	480

CONTROLLER #5		
MESSAGE AREA		
A	B	C
6	400	480
9	400	480
11	400	480
19	400	480
21	400	480
27	400	480
39	400	480
EX1	400	480
EX3	400	480
EX5	400	480
EX7	400	480
EX9	400	480
EX11	400	480
WX4	400	480
WX6	400	480
WX8	400	480
WX10	400	480
WX12	400	480
WX14	400	480

19 (3/4") STAINLESS STEEL SELF-TAPPING SCREWS WITH 5 STAINLESS STEEL SPACERS BEHIND PANEL. HOLES FOR MOUNTING SHALL BE DRILLED ON POLE C ONLY (2-SCREWS PER PANEL).

19 GA ALUMINUM PLATE.



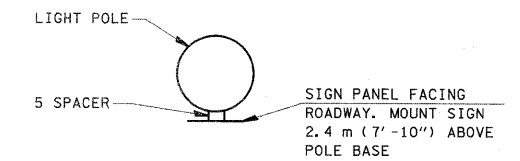
TYPICAL POLE IDENTIFICATION PANEL

SIGN PANEL DETAIL

NOTE: ALL LETTERS AND NUMERALS SHALL BE SERIES C GOTHIC, NON-REFLECTIVE WHITE PREMIUM QUALITY ENAMEL.

SIGN INFORMATION SHALL BE IN ACCORDANCE WITH LIGHT POLE NUMBERING & WATTAGES SHOWN IN THE SCHEDULE.

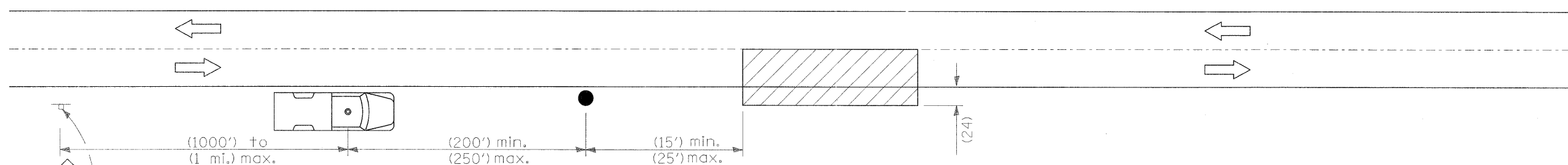
ON BRIDGE PARAPET MOUNTED POLES, MOUNT ONE SIGN PANEL FACING ROADWAY 610 (2 FT) ABOVE POLE BASE.



ROADWAY

SIGN PANEL MOUNTING DETAIL

(MOUNT 300 (1 FT) FROM TOP OF PIER OR BEARING PAD FOR UNDERPASS LIGHTING)



W21-6(0)-48

SYMBOLS

Work area

Sign on portable or permanent support

Truck with flashing amber light and dual emergency flashers

Flagger with traffic control sign

TYPICAL APPLICATIONS

Utility operations

All dimensions are in inches, unless otherwise shown.

FILE NAME =	USER NAME = prestonme	DESIGNED -	REVISED -	STATE OF ILLINOIS DEPARTMENT OF TRANSPORTATION	SIGN PANEL DETAILS & DETAIL FOR NIGHTTIME LIGHTING INSPECTION				F.A.I. RTE.	SECTION	COUNTY	TOTAL SHEETS	SHEET NO.
ca:\pwork\owidat\prestonme\d8239232\d876e59-plan-TS.dgn	PLOT SCALE = 50.0000' / in.	DRAWN -	REVISED -		64	82-(1,2,3)L-1	ST CLAIR	16	9				
PLOT DATE = 5/13/2011	DATE -	CHECKED -	REVISED -		CONTRACT NO. 76E59								
					SCALE:	SHEET NO.	OF	SHEETS	STA.	TO STA.	FED. ROAD DIST. NO.	ILLINOIS FED. AID PROJECT	