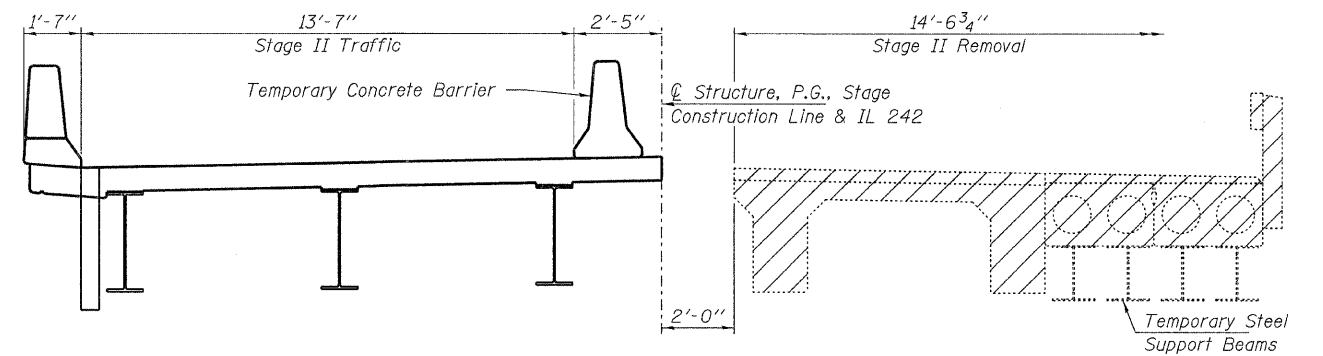
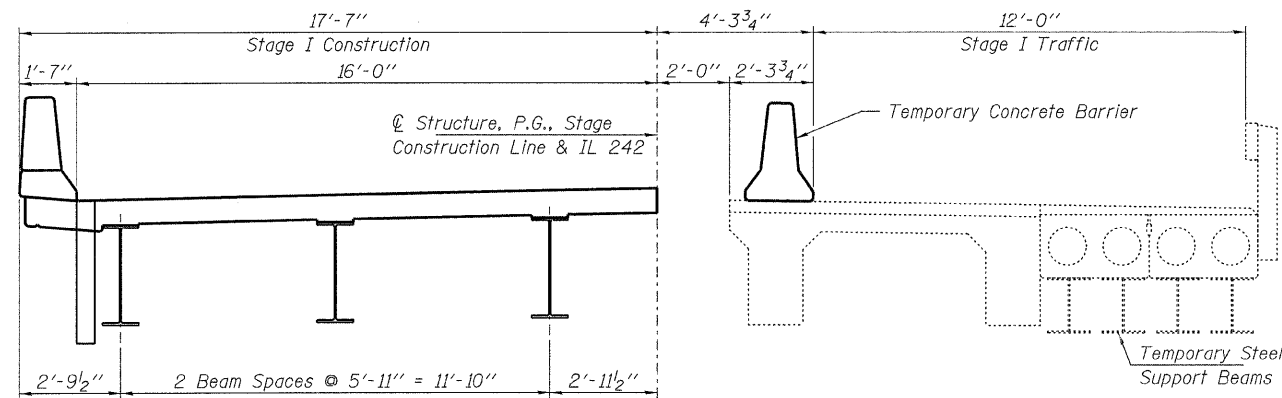


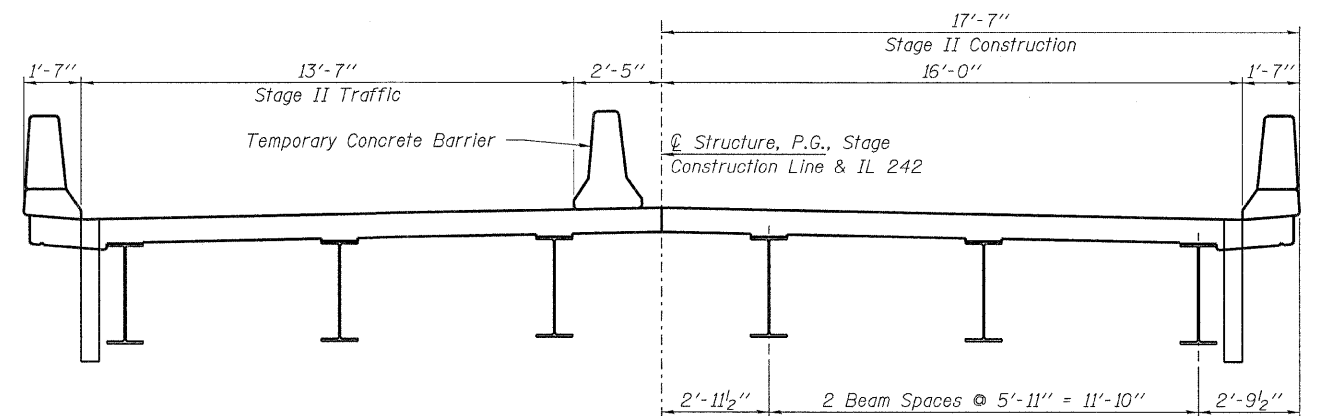
STAGE I REMOVAL



STAGE II REMOVAL



STAGE I CONSTRUCTION



STAGE II CONSTRUCTION

Notes:
 All sections are looking South.
 Hatched areas indicate removal.
 For Temporary Concrete Barrier quantities
 see Roadway Plans.

FILE NAME = 090039-shr-bridge.dgn	USER NAME =	DESIGNED - S.M.S.	REVISED -	STATE OF ILLINOIS DEPARTMENT OF TRANSPORTATION	STAGE CONSTRUCTION DETAILS STRUCTURE NO. 033-0054	F.A.P.	SECTION	COUNTY	TOTAL SHEETS	SHEET NO.	
HAMPTON, LENZINI AND RENWICK, INC. 2035 STEVENSON DRIVE, SUITE 201 SPRINGFIELD, ILLINOIS 62703	PLOT SCALE =	CHECKED - C.C.S.	REVISED -			776	102B-1	HAMILTON	52	26	
ILLINOIS PROFESSIONAL DESIGN FIRM LS/PE/SE CORP. 184.000899	PLOT DATE = 2/22/2011	DRAWN - D.A.B.	REVISED -			CONTRACT NO. 78067					
		CHECKED - M.D.C.	REVISED -			ILLINOIS FED. AID PROJECT					
						SHEET NO. 3 OF 22 SHEETS					