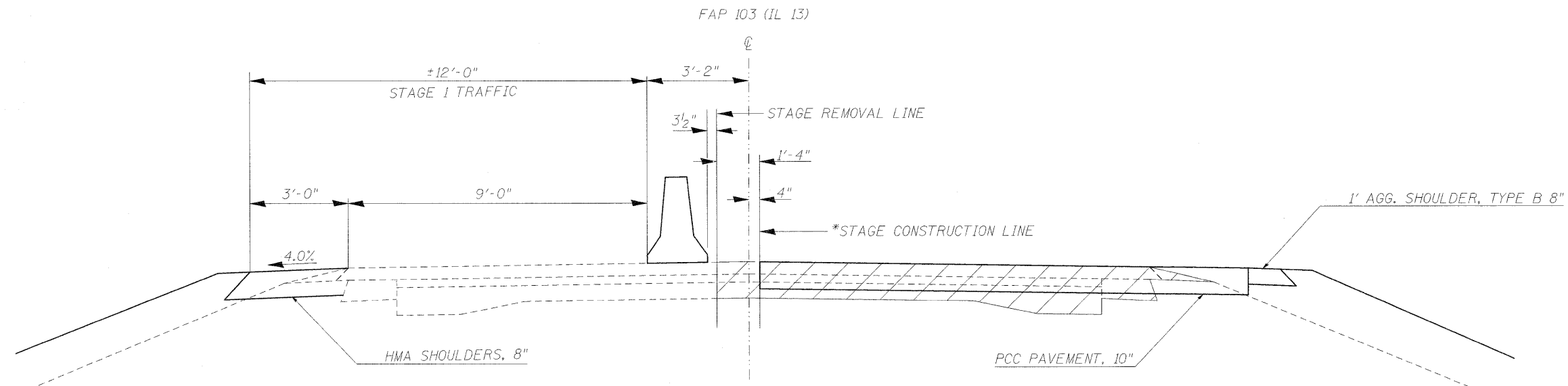
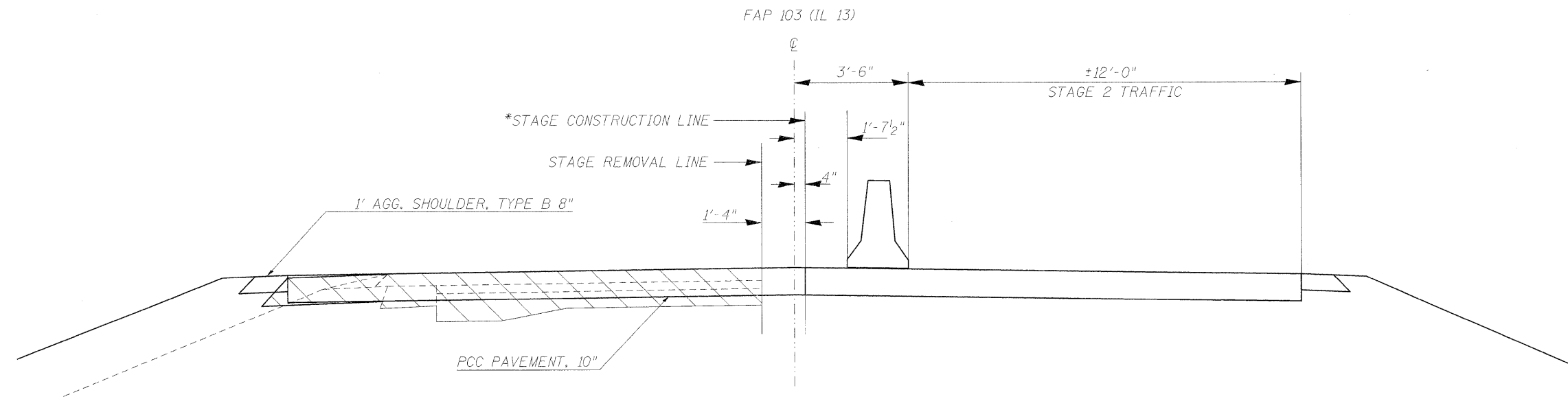


### STAGE 1



\*NOTE: THE STAGE CONSTRUCTION LINE SHOWN ON THIS SHEET IS FOR THE PAVEMENT ONLY. THE STAGE CONSTRUCTION LINE FOR THE CULVERT IS ON Q OF IL 13.

### STAGE 2



REVISI<sup>o</sup> SHEET 6-6-11

FILE NAME =	USER NAME = portarwo	DESIGNED -	REVISED -	<b>STATE OF ILLINOIS DEPARTMENT OF TRANSPORTATION</b>	STAGE CONSTRUCTION DETAILS		F.A.P. RTE. 103	SECTION 102B-1	COUNTY PERRY	TOTAL SHEETS 18	SHEET NO. 09	
c:\pwork\pwork\portarwo\dms49697\d978091_sht.MISC.dgn		DRAWN -	REVISED -		SCALE:	SHEET NO. 00F	01SHEETS	STA. 428+300	STA. 429+00	CONTRACT NO. 78091		
		CHECKED -	REVISED -		ILLINOIS FED. AID PROJECT							
		DATE -	REVISED -									