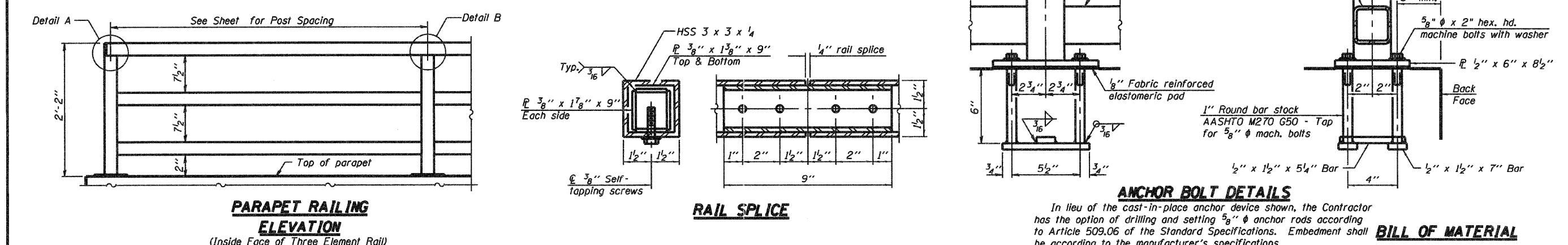
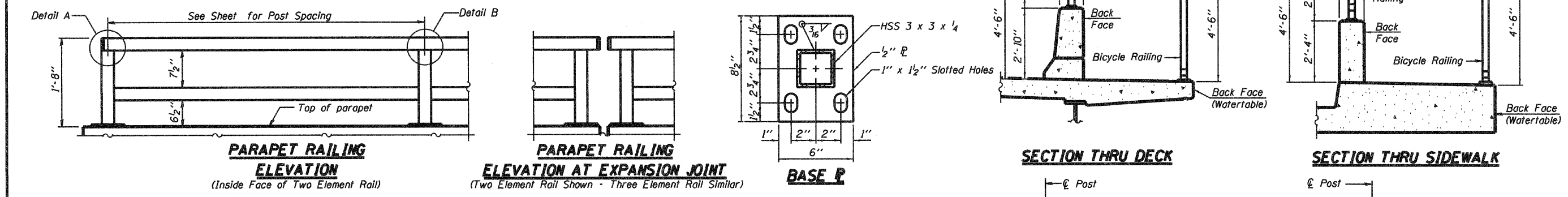


All steel rail elements shall be galvanized according to Article 509.05 of the Standard Specifications.



In lieu of the cast-in-place anchor device shown, the Contractor has the option of drilling and setting 5/8" ϕ anchor rods according to Article 509.06 of the Standard Specifications. Embedment shall be according to the manufacturer's specifications.

BILL OF MATERIAL

Item	Unit	Quantity
Bicycle Railing	Foot	250
Parapet Railing	Foot	

R-29 7-1-10 (10'-0" Maximum Post Spacing)

FILE NAME: c:\pwork\pedit\levenderba\081574727	USER NAME: levenderba	DESIGNED: -	REVISED: -
155-sht-details.dgn		DRAWN: -	REVISED: -
PLOT SCALE: 1/8" = 1'-0"		CHECKED: -	REVISED: -
PLOT DATE: 6/2/2011		DATE: -	REVISED: -

STATE OF ILLINOIS
DEPARTMENT OF TRANSPORTATION

BICYCLE RAILING
STRUCTURE NO.

SCALE: SHEET NO. OF SHEETS STA. TO STA.

F.A. RTE. 331	SECTION 01-1R-1.RS-2.N-2.TS-3	COUNTY WILLIAMSON	TOTAL SHEETS 167	SHEET NO. 85B
CONTRACT NO. 78155				
ILLINOIS FED. AID PROJECT				

△ SHEET ADDED 6-6-11