

# INDEX OF SHEETS

SHEET NO.	DESCRIPTION
1	COVER SHEET
2	SIGNATURES
3	INDEX OF SHEETS, LISTING OF HIGHWAY STANDARDS
4	GENERAL NOTES
5	COMMITMENTS, MIXTURE REQUIREMENTS
6 - 7	SUMMARY OF QUANTITIES
8 - 30	TYPICAL SECTIONS
31 - 36	SCHEDULES OF QUANTITIES
37	TIEPOINTS AND BENCHMARKS
38 - 45	PLAN / PROFILE SHEETS
46 - 53	REMOVAL AND CONSTRUCTION PLAN SHEETS
54 - 61	STAGING PLAN
62 - 65	EROSION CONTROL PLAN AND DITCH PROFILES
66 - 68	RIGHT-OF-WAY PLAN
69 - 76	GEOMETRICS / INTERSECTION DETAILS
77 - 78	PAVEMENT MARKING PLAN
79 - 82	TRAFFIC SIGNAL PLAN
83	DETAIL: TYPE A GUTTER, SPECIAL
84	DETAIL: SLOPE WALL
85 - 85A	DETAILS: RETAINING WALL
<del>85B</del>	<del>DETAILS: BICYCLE RAILING</del>
86 - 87	DETAILS: CULVERT EXTENSIONS
88	DETAILS: SEEDING & MULCHING, STEP CONSTRUCTION, TEMPORARY DITCH CHECKS
89	DETAILS: BUTT JOINTS, TYPE III TEMPORARY TAPE
90	DETAILS: INLET SPECIAL, CAST IRON RAME WITH CLOSED LID, INLET / SIDEWALK JOINT
91	DETAILS: URBAN SIDEROAD & ENTRANCE DETAILS
92	DETAILS: UNEVEN LANE SIGN, ROUGH GROOVED SURFACE SIGN, TEMPORARY HMA TRANSITIONS, EXPANSION BOLTS FOR CULVERT EXTENSIONS
93	DETAILS: DETECTOR LOOPS, SERVICE INSTALLATION
94	DETAILS: MAST ARM ASSEMBLY
95 - 96	DETAILS: BREAK-AWAY WIDE FLANGE STEEL SIGN POST DETAILS AND TABLES
97 - 112	IL 13 CROSS SECTIONS
113 - 120	CARBON STREET CROSS SECTIONS
121 - 151	CARBON STREET QUADRANT CROSS SECTIONS
152 - 161	COX STREET QUADRANT CROSS SECTIONS
162 - 167	PRINCETON STREET QUADRANT CROSS SECTIONS
	HIGHWAY STANDARDS

# HIGHWAY STANDARDS

000001-06	STANDARD SYMBOLS, ABBREVIATIONS, AND PATTERNS
001001-02	AREAS OF REINFORCEMENT BARS
001006	DECIMAL OF AN INCH AND OF A FOOT
280001-05	TEMPORARY EROSION CONTROL SYSTEMS
420001-07	PAVEMENT JOINTS
420101-04	24' JOINTED PCC PAVEMENT
442101-07	CLASS B PATCHES
482001-02	HMA SHOULDER ADJACENT TO FLEXIBLE PAVEMENT
542301-03	PRECAST REINFORCED CONCRETE END SECTION
602406-04	MANHOLE TYPE A 6' DIAMETER
604001-03	FRAME AND LIDS TYPE 1
606001-04	CONCRETE CURB TYPE B AND COMBINATION CONCRETE CURB AND GUTTER
606006-02	OUTLETS FOR CONCRETE CURB AND GUTTER TYPE B-6.24
606101-04	TYPE A GUTTER
606301-04	PC CONCRETE ISLANDS AND MEDIANS
630001-09	STEEL PLATE BEAM GUARDRAILS
635006-03	REFLECTOR AND TERMINAL MARKER PLACEMENT
635011-02	REFLECTOR MARKER AND MOUNTING DETAILS
664001-02	CHAIN LINK FENCE
667101-01	PERMANENT SURVEY MARKERS
701101-02	OFF-ROAD OPERATION, MULTILANE, 15' TO 24" FROM PAVEMENT EDGE
701106-02	OFF-ROAD OPERATION, MULTILANE, MORE THAN 15' AWAY
701301-04	LANE CLOSURE, 2L, 2W, SHORT TIME OPERATION
701306-03	LANE CLOSURE, 2L, 2W, SLOW MOVING OPERATIONS FOR DAY ONLY, FOR SPEEDS ≥45 MPH
701311-03	LANE CLOSURE, 2L, 2W, MOVING OPERATIONS FOR DAY ONLY
701326-04	LANE CLOSURE, 2L, 2W, PAVEMENT WIDENING, FOR SPEEDS ≥45 MPH
701422-03	LANE CLOSURE, MULTILANE, FOR SPEEDS ≥45 MPH TO 55 MPH
701502-04	URBAN LANE CLOSURE, 2L, 2W, WITH BIDIRECTIONAL LEFT TURN LANE
701601-07	URBAN LANE CLOSURE, 1W OR 2W WITH NONTRANSVERSABLE MEDIAN
701606-07	URBAN LANE CLOSURE, MULTILANE, 2W WITH MOUNTED MEDIAN
701701-07	URBAN LANE CLOSURE, MULTILANE INTERSECTION
701901-01	TRAFFIC CONTROL DEVICES
720016-02	MAST ARM MOUNTED STREET NAME SIGNS
780001-02	TYPICAL PAVEMENT MARKINGS
805001-01	ELECTRICAL SERVICE INSTALLATION DETAILS
814001-02	HANDHOLES
825011-01	LIGHTING CONTROLLER, PEDESTAL MOUNTED, 240V
836001	LIGHT POLE FOUNDATION
857001-01	STANDARD PHASE DESIGNATION DIAGRAMS AND PHASE SEQUENCES
862001-01	UNINTERRUPTIBLE POWER SUPPLY (UPS)
873001-02	TRAFFIC SIGNAL BONDING AND GROUNDING
877011-04	STEEL COMBINATION MAST ARM ASSEMBLY AND POLE 16' THROUGH 55'
878001-08	CONCRETE FOUNDATION DETAILS
880006-01	TRAFFIC SIGNAL MOUNTING DETAILS
886001-01	DETECTOR LOOP INSTALLATIONS
886006-01	TYPICAL LAYOUT FOR DETECTION LOOPS
BLR 21-8	TYPICAL APPLICATION OF TRAFFIC CONTROL DEVICES FOR CONSTRUCTION ON RURAL LOCAL HIGHWAYS
BLR 22-6	TYPICAL APPLICATION OF TRAFFIC CONTROL DEVICES FOR CONSTRUCTION ON RURAL LOCAL HIGHWAYS (2-LANE 2-WAY RURAL TRAFF.) (RD. CLOSED TO THRU TRAFF.)

△ REVISED 6-6-11

STATE OF ILLINOIS  
DEPARTMENT OF TRANSPORTATION

INDEX OF SHEETS, AND  
HIGHWAY STANDARDS

SCALE:	SHEET NO.	OF	SHEETS	STA.	TO STA.	F.A.P. RTE.	SECTION	COUNTY	TOTAL SHEETS	SHEET NO.
						331	(1X-1)R-1,RS-2,N-2,TS-3	WILLIAMSON	167	3
										CONTRACT NO. 78155
										ILLINOIS FED. AID PROJECT

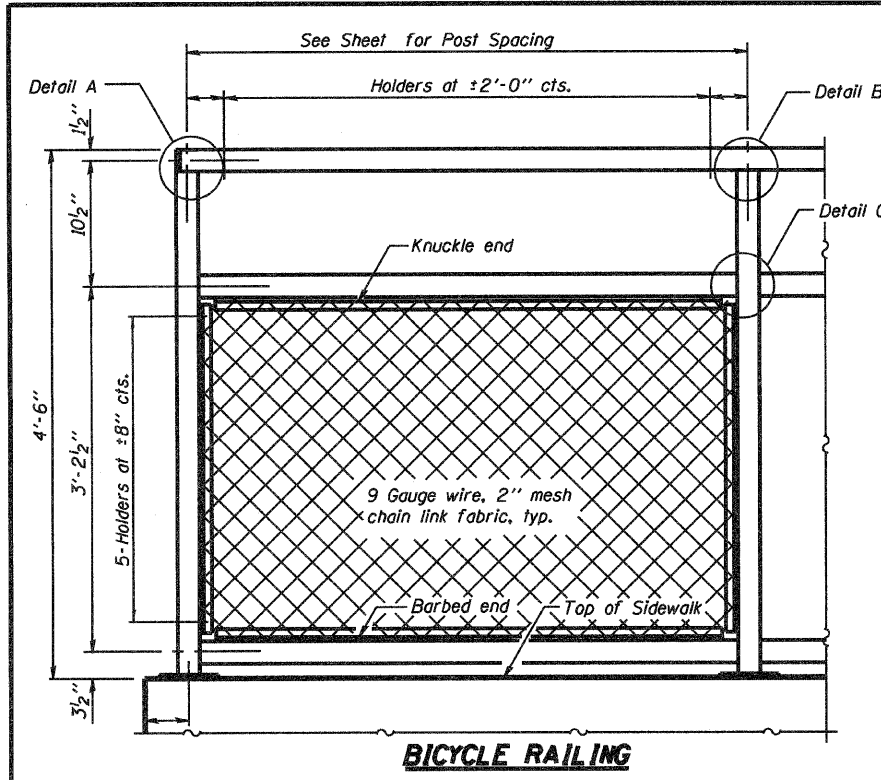
FILE NAME =	USER NAME = thomashf	DESIGNED -	REVISED -
ct:\pw\work\p\dot\thomashf\d0157472\78155-sht-misc.dgn		DRAWN -	REVISED -
PLOT SCALE = 50.0000' / IN.		CHECKED -	REVISED -
PLOT DATE = 5/5/2011		DATE -	REVISED -

SUMMARY OF QUANTITIES						SUMMARY OF QUANTITIES									
URBAN						URBAN									
CODE NO.	ITEM	CONSTRUCTION TYPE CODE		0003		0021		CODE NO.	ITEM	CONSTRUCTION TYPE CODE		0003		0021	
		UNIT	TOTAL QUANTITIES	ROADWAY 80% FEDERAL 20% STATE	TRAFFIC SIGNALS 80% FEDERAL 20% STATE	UNIT	TOTAL QUANTITIES			ROADWAY 80% FEDERAL 20% STATE	TRAFFIC SIGNALS 80% FEDERAL 20% STATE				
* X0325272	TRAFFIC SIGNAL POST, SPECIAL	EACH	2		2	40600982	HOT MIX ASPHALT SURFACE REMOVAL - BUTT JOINT	SQ YD	87	87					
X0358300	REMOVE AND RELAY END SECTIONS	EACH	1	1		40600990	TEMPORARY RAMP	SQ YD	202	202					
X4403800	MEDIAN SURFACE REMOVAL	SQ FT	10052	10052		40603575	POLYMERIZED HOT-MIX ASPHALT SURFACE COURSE, MIX "E", N105	TON	867	867					
X6024240	INLETS, SPECIAL	EACH	24	24		40701976	HOT-MIX ASPHALT PAVEMENT (FULL-DEPTH), 14 3/4"	SQ YD	5812	5812					
X6062700	CONCRETE GUTTER, TYPE A (SPECIAL)	FOOT	198	198		42000501	PORTLAND CEMENT CONCRETE PAVEMENT 10" (JOINTED)	SQ YD	7088	7088					
* X7340100	CONCRETE FOUNDATIONS, GROUND MOUNT	CU YD	2.8	2.8		42001300	PROTECTIVE COAT	SQ YD	10927	10927					
* X7830068	GROOVING FOR RECESSED PAVEMENT MARKING - LETTERS AND SYMBOLS	SQ FT	404	404		42300300	PORTLAND CEMENT CONCRETE DRIVEWAY PAVEMENT, 7"	SQ YD	147	147					
* X7830070	GROOVING FOR RECESSED PAVEMENT MARKING - 5"	FOOT	5949	5949		42400200	PORTLAND CEMENT CONCRETE SIDEWALK, 5"	SQ FT	7625	7625					
* X7830078	GROOVING FOR RECESSED PAVEMENT MARKING - 13"	FOOT	397	397		44000100	PAVEMENT REMOVAL	SQ YD	5083	5083					
* X7830090	GROOVING FOR RECESSED PAVEMENT MARKING - 25"	FOOT	274	274		44000155	HOT-MIX ASPHALT SURFACE REMOVAL, 1 1/2"	SQ YD	5846	5846					
* X8050115	SERVICE INSTALLATION, TYPE A (MODIFIED)	EACH	1		1	44000162	HOT-MIX ASPHALT SURFACE REMOVAL, 3 1/4"	SQ YD	4610	4610					
Z0007601	BUILDING REMOVAL NO. 1	L SUM	1	1		44000200	DRIVEWAY PAVEMENT REMOVAL	SQ YD	534	534					
Z0007602	BUILDING REMOVAL NO. 2	L SUM	1	1		44000500	COMBINATION CURB AND GUTTER REMOVAL	FOOT	2566	2566					
Z0013798	CONSTRUCTION LAYOUT	L SUM	1	1		44003100	MEDIAN REMOVAL	SQ FT	11035	11035					
Z0022800	FENCE REMOVAL	FOOT	1162	1162		44004000	PAVED DITCH REMOVAL	FOOT	110	110					
Z0026346	NIGHTTIME WORK ZONE LIGHTING	L SUM	1	1		44004250	PAVED SHOULDER REMOVAL	SQ YD	3401	3401					
Z0033062	RADIO TRANSCEIVER	EACH	1		1	44201019	CLASS B PATCHES, TYPE II, 14 INCH	SQ YD	104.1	104.1					
<del>Z007600</del>	<del>TRAINERS</del>	<del>UNIT</del>	<del>500</del>	<del>500</del>		44300200	STRIP REFLECTIVE CRACK CONTROL TREATMENT	FOOT	2892	2892					
20100110	TREE REMOVAL (6 TO 15 UNITS DIAMETER)	UNIT	64	64		48203029	HOT-MIX ASPHALT SHOULDERS, 8"	SQ YD	1675	1675					
20100210	TREE REMOVAL (OVER 15 UNITS DIAMETER)	UNIT	222	222		50105220	PIPE CULVERT REMOVAL	FOOT	11.7	11.7					
20200100	EARTH EXCAVATION	CU YD	8287	8287		50300225	CONCRETE STRUCTURES	CU YD	70.2	70.2					
20800150	TRENCH BACKFILL	CU YD	936	936		50800205	REINFORCEMENT BARS, EPOXY COATED	LBS	12230	12230					
* 25000115	SEEDING, CLASS 1 B	ACRE	3.3	3.3		50901720	BICYCLE RAILING	FOOT	250	250					
* 25000350	SEEDING, CLASS 7	ACRE	3.3	3.3		51100100	SLOPE WALL 4 INCH	SQ YD	34	34					
* 25000400	NITROGEN FERTILIZER NUTRIENT	POUND	528	528		54002020	EXPANSION BOLTS, 3/4 INCH	EACH	44	44					
* 25000500	PHOSPHOROUS FERTILIZER NUTRIENT	POUND	396	396		54003000	CONCRETE BOX CULVERTS	CU YD	44.6	44.6					
* 25000600	POTASSIUM FERTILIZER NUTRIENT	POUND	396	396		54200229	PIPE CULVERTS, CLASS D, TYPE 1 24"	FOOT	200	200					
* 25000700	AGRICULTURAL GROUND LIMESTONE	TON	6.6	6.6		54213459	END SECTIONS 24"	EACH	2	2					
* 25100115	MULCH, METHOD 2	ACRE	6.6	6.6		54213657	PRECAST REINFORCED CONCRETE FLARED END SECTION, 12"	EACH	2	2					
* 25100630	EROSION CONTROL BLANKET	SQ YD	868	868		54213669	PRECAST REINFORCED CONCRETE FLARED END SECTION, 24"	EACH	1	1					
28000250	TEMPORARY EROSION CONTROL SEEDING	POUND	990	990		54215421	CAST-IN-PLACE REINFORCED CONCRETE END SECTIONS 21"	EACH	1	1					
28000305	TEMPORARY DITCH CHECKS	FOOT	484	484		54390150	INSERTION CULVERT LINER 20"	FOOT	119	119					
28000400	PERIMETER EROSION BARRIER	FOOT	1630	1630		550A0050	STORM SEWER, CLASS A, TYPE 1 12"	FOOT	1260	1260					
28000500	INLET AND PIPE PROTECTION	EACH	10	10		550A0070	STORM SEWER, CLASS A, TYPE 1 15"	FOOT	417	417					
28100107	STONE RIP-RAP, CLASS A4	SQ YD	774	774		550A0090	STORM SEWER, CLASS A, TYPE 1 18"	FOOT	203	203					
28200200	FILTER FABRIC	SQ YD	774	774		550A0120	STORM SEWER, CLASS A, TYPE 1 24"	FOOT	104	104					
31100500	SUB-BASE GRANULAR MATERIAL, TYPE A, 6"	SQ YD	9430	9430		55100500	STORM SEWER REMOVAL, 12"	FOOT	49	49					
31100700	SUB-BASE GRANULAR MATERIAL, TYPE A, 8"	SQ YD	7629	7629		55100700	STORM SEWER REMOVAL, 15"	FOOT	237	237					
31101900	SUB-BASE GRANULAR MATERIAL, TYPE C	TON	415	415		59300100	CONTROLLED LOW-STRENGTH MATERIAL	CU YD	1	1					
40600100	BITUMINOUS MATERIALS (PRIME COAT)	GAL	1047	1047		60223700	MANHOLES, TYPE A, 6' -DIAMETER, TYPE 1 FRAME, OPEN LID	EACH	1	1					
40600115	POLYMERIZED BITUMINOUS MATERIALS (PRIME COAT)	GAL	2516	2516		60500040	REMOVING MANHOLES	EACH	1	1					
40600300	AGGREGATE (PRIME COAT)	TON	59	59		60500060	REMOVING INLETS	EACH	4	4					
40600855	POLYMERIZED LEVELING BINDER (MACHINE METHOD), N105	TON	407	407											

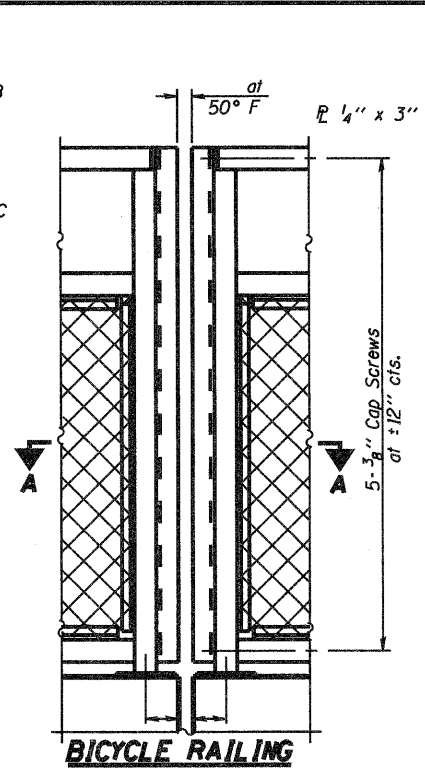
REVISÉ 6-6-11

0042  
\*SPECIALTY ITEM

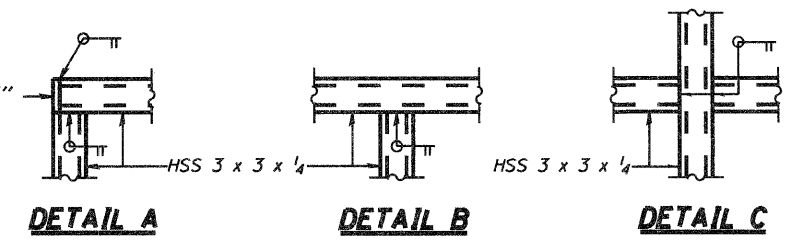
FILE NAME =	USER NAME = knightam	DESIGNED -	REVISED -	STATE OF ILLINOIS DEPARTMENT OF TRANSPORTATION	SUMMARY OF QUANTITIES	F.A.P. RTE.	SECTION	COUNTY	TOTAL SHEETS	SHEET NO.	
et\pw\work\p\dot\knightsam\d0157472\7815	sht-schedule.dgn	DRAWN -	REVISED -			331	(1X-1R-1,RS-2,N-2,TS-3	WILLIAMSON	167	6	
	PLOT SCALE = 50:6096 ' / IN.	CHECKED -	REVISED -			CONTRACT NO. 78155					
	PLOT DATE = 3/23/2011	DATE -	REVISED -			SCALE:	SHEET NO.	OF	SHEETS	STA.	TO STA.



**BICYCLE RAILING**

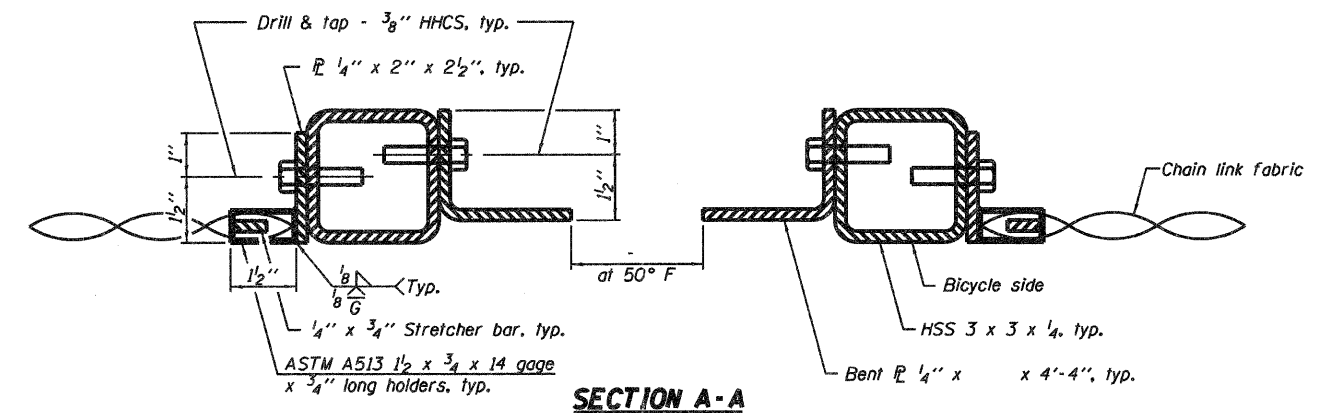


**BICYCLE RAILING**

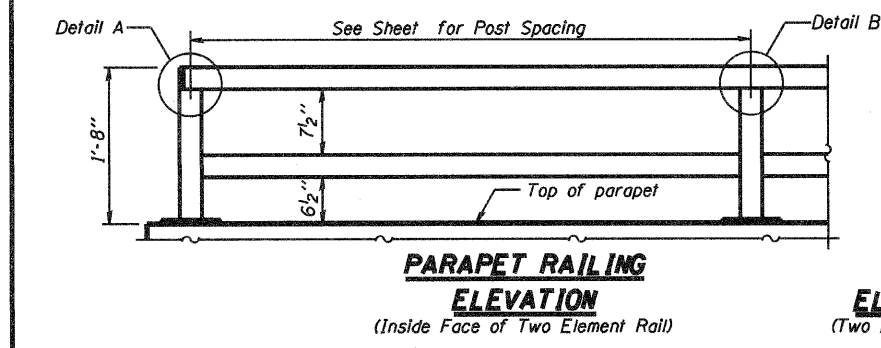


**DETAIL A      DETAIL B      DETAIL C**

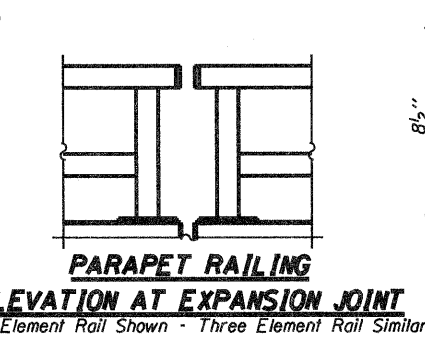
All steel rail elements shall be galvanized according to Article 509.05 of the Standard Specifications.



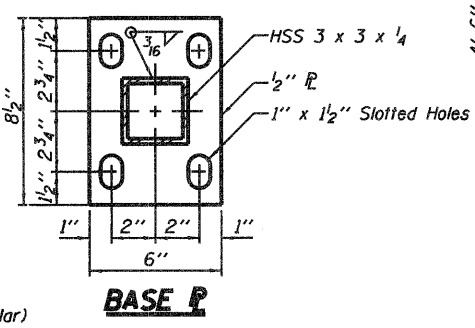
**SECTION A-A**



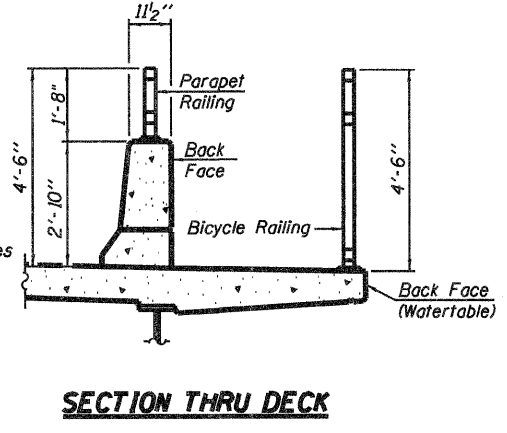
**PARAPET RAILING ELEVATION**  
(Inside Face of Two Element Rail)



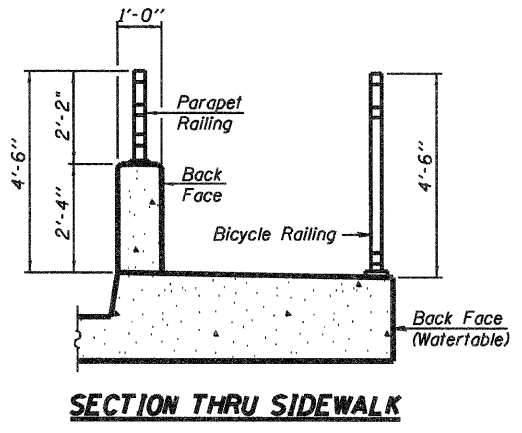
**PARAPET RAILING ELEVATION AT EXPANSION JOINT**  
(Two Element Rail Shown - Three Element Rail Similar)



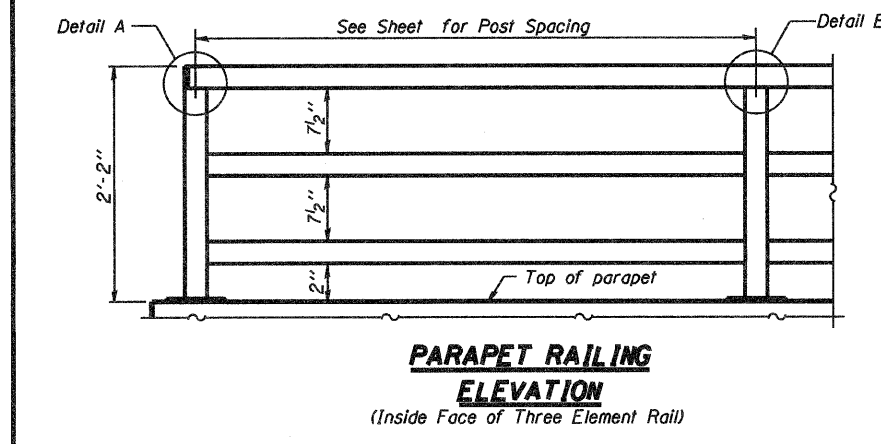
**BASE P**



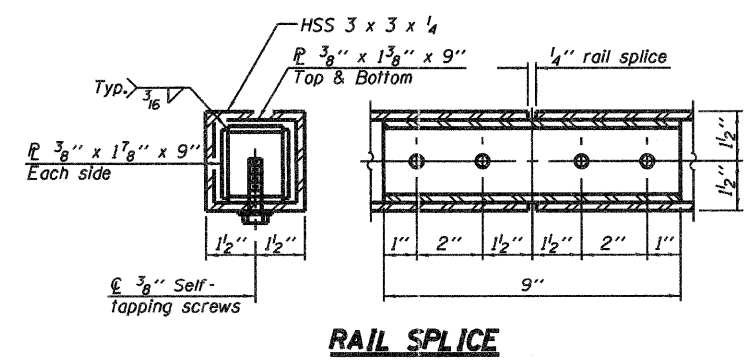
**SECTION THRU DECK**



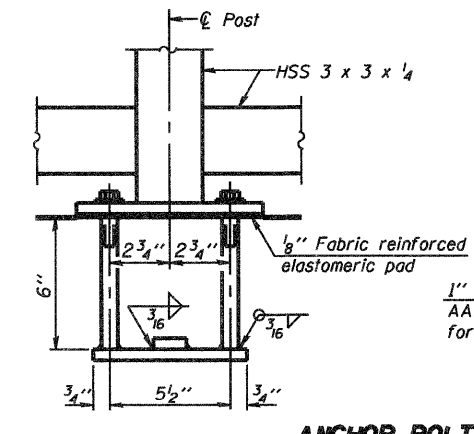
**SECTION THRU SIDEWALK**



**PARAPET RAILING ELEVATION**  
(Inside Face of Three Element Rail)



**RAIL SPLICE**



**ANCHOR BOLT DETAILS**

In lieu of the cast-in-place anchor device shown, the Contractor has the option of drilling and setting 5/8 inch diameter anchor rods according to Article 509.06 of the Standard Specifications. Embedment shall be according to the manufacturer's specifications.

**BILL OF MATERIAL**

Item	Unit	Quantity
Bicycle Railing	Foot	250
Parapet Railing	Foot	

**R-29**      7-1-10      (10'-0" Maximum Post Spacing)

FILE NAME :	USER NAME :	DESIGNED :	REVISED :
ca:\pwork\pedit\levenderba\081574727	levenderba		
		DRAWN :	REVISED :
		CHECKED :	REVISED :
		DATE :	REVISED :

STATE OF ILLINOIS  
DEPARTMENT OF TRANSPORTATION

BICYCLE RAILING  
STRUCTURE NO.

SCALE:      SHEET NO. OF SHEETS      STA. TO STA.

F.A. RTE.	SECTION	COUNTY	TOTAL SHEETS	SHEET NO.
331	0X-1R-1RS-2J-2TS-3	WILLIAMSON	167	05B
ILLINOIS FED. AID PROJECT			CONTRACT NO. 78155	

△ SHEET ADDED 6-6-11