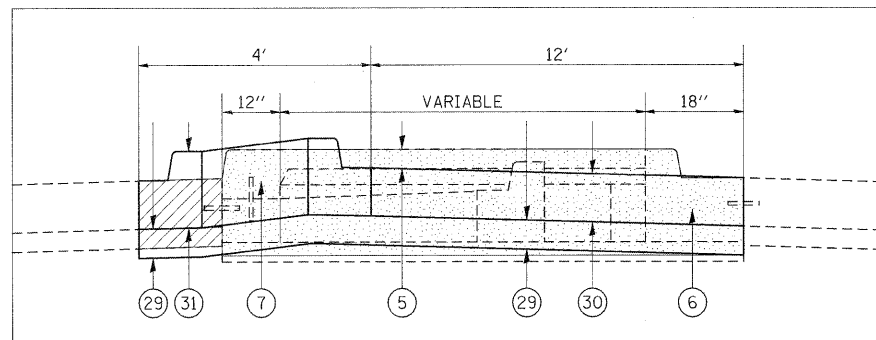


MEDIAN DETAIL



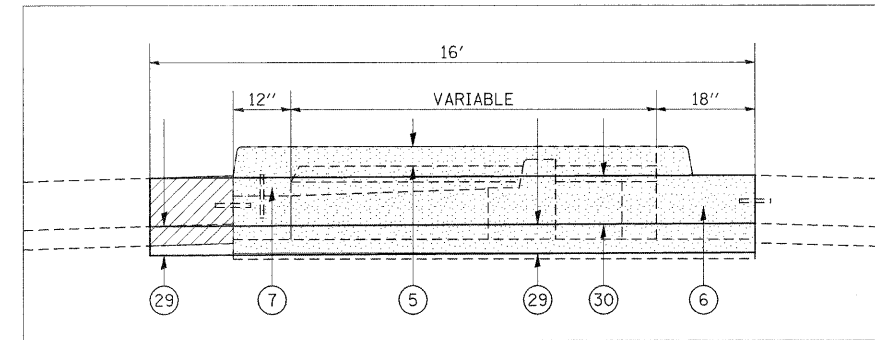
TO BE USED:
STA 841+10.00 TO STA 841+65.16

TYPICAL SECTION #4

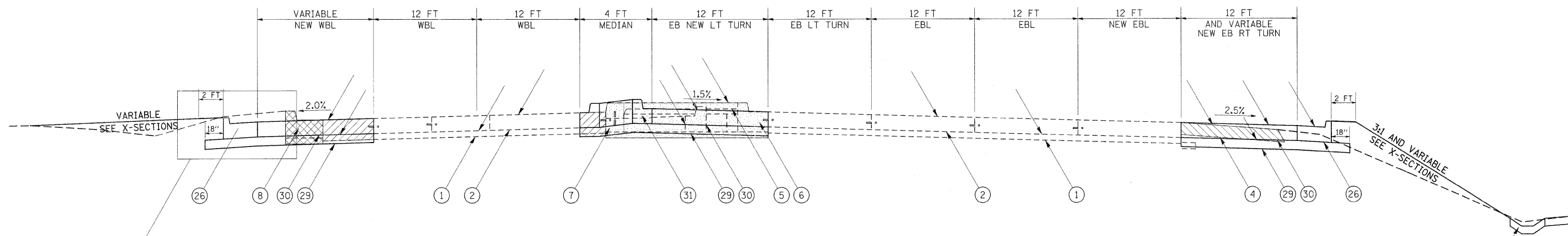
ADDITIONAL LANES

WILLIAMSON COUNTY
FAP 331 (IL 13)
(LOOKING EAST)

MEDIAN DETAIL

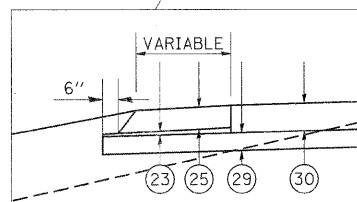


TO BE USED:
STA 841+65.16 TO STA 842+04.18**



TO BE USED:
STA 841+10.00 TO STA 842+23.08**

PROPOSED CONCRETE GUTTER, TYPE A (SPECIAL) - SEE SHEET 83 FOR DETAIL



STA 841+10 TO STA 841+34.46 **

LEGEND

- | | |
|---|--|
| ① EXISTING SUBBASE GRANULAR MATERIAL, TYPE A 4" | ⑳ PROPOSED HOT-MIX ASPHALT SURFACE REMOVAL, 1 1/2" |
| ② EXISTING PCC PAVEMENT 10" | ㉑ PROPOSED SUBBASE GRANULAR MATERIAL, TYPE A 8" |
| ③ EXISTING HOT-MIX ASPHALT OVERLAY 3/4" | ㉒ PROPOSED SUBBASE GRANULAR MATERIAL, TYPE C |
| ④ EXISTING HOT-MIX ASPHALT SHOULDER 8" | ㉓ PROPOSED HOT-MIX ASPHALT PAVEMENT (FULL-DEPTH), 14 3/4" |
| ⑤ EXISTING CONCRETE MEDIAN SURFACE 4" | ㉔ PROPOSED HOT-MIX ASPHALT SHOULDERS, 8" |
| ⑥ EXISTING COMBINATION C&G TYPE B-6.12 | ㉕ PROPOSED COMBINATION CONCRETE CURB & GUTTER, TYPE B-6.24 |
| ⑦ EXISTING BARRIER CURB, SPECIAL | ㉖ PROPOSED POLYMERIZED HOT-MIX ASPHALT SURFACE COURSE, MIX "E", N105, 1 1/2" |
| ⑧ EXISTING COMBINATION C&G TYPE B-6.24 | ㉗ PROPOSED CONCRETE MEDIAN SURFACE 4" |
| ⑨ EXISTING SOLID MEDIAN, SB-6.06 | ㉘ PROPOSED SUBBASE GRANULAR MATERIAL, TYPE A 6" |
| ⑩ EXISTING PCC PAVEMENT 13" | ㉙ PROPOSED PORTLAND CEMENT CONCRETE PAVEMENT 10" |
| ⑪ EXISTING SUBBASE GRANULAR MATERIAL, TYPE A 7" | ㉚ PROPOSED CONCRETE MEDIAN, TYPE SB-6.06 |
| ▨ PROPOSED PAVEMENT REMOVAL | ㉛ PROPOSED PORTLAND CEMENT CONCRETE SIDEWALK, 5" |
| ▨ PROPOSED PAVED SHOULDER REMOVAL | ㉜ PROPOSED HOT-MIX ASPHALT SURFACE REMOVAL, 3/4" |
| ▨ PROPOSED COMBINATION C&G REMOVAL | ㉝ PROPOSED POLYMERIZED LEVELING BINDER (MACHINE METHOD), N105, 1 3/4" |
| ▨ PROPOSED HMA SURFACE REMOVAL | ▨ PROPOSED MEDIAN REMOVAL |
| | ▨ PROPOSED MEDIAN SURFACE REMOVAL |

** WORK IN MEDIAN ENDS STA 842+04.18. EXISTING PAVEMENT SHALL REMAIN IN PLACE

FILE NAME =	USER NAME = thomashf	DESIGNED -	REVISED -	STATE OF ILLINOIS DEPARTMENT OF TRANSPORTATION	TYPICAL SECTIONS FAP 331 (IL 13)	F.A.P. RTE.	SECTION	COUNTY	TOTAL SHEETS	SHEET NO.
c:\pw_work\pwidot\thomashf\d0157472\78156-shh-misc.dgn	DRAWN -	REVISED -	331			(1X-1R-1,RS-2,N-2,TS-3	WILLIAMSON	167	11	
PLOT SCALE = 50.0000' / IN.	CHECKED -	REVISED -	CONTRACT NO. 78155							
PLOT DATE = 4/19/2011	DATE -	REVISED -	ILLINOIS FED. AID PROJECT							
SCALE:						SHEET NO.	OF SHEETS	STA.	TO STA.	