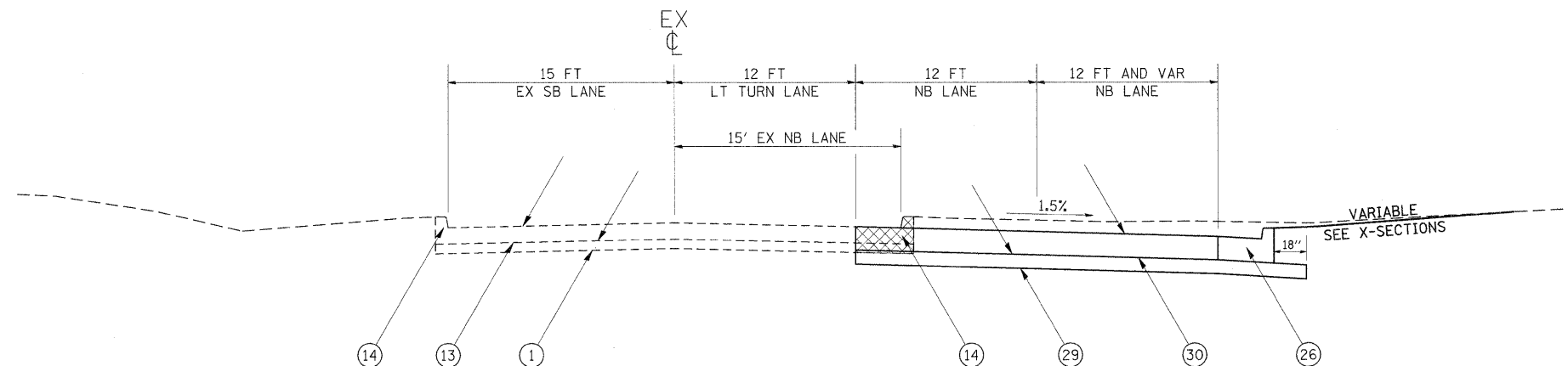


TYPICAL SECTION #23

ADDITIONAL LANES

WILLIAMSON COUNTY
CS 6220 (NORTH CARBON STREET)
(LOOKING NORTH)



TO BE USED:
STA 12+65.52 TO STA 16+69.05

LEGEND

- | | |
|---|--|
| <ul style="list-style-type: none"> ① EXISTING SUBBASE GRANULAR MATERIAL, TYPE A 4" ② EXISTING PCC PAVEMENT 10" ③ EXISTING HOT-MIX ASPHALT OVERLAY 3/4" ④ EXISTING HOT-MIX ASPHALT SHOULDER 8" ⑤ EXISTING CONCRETE MEDIAN SURFACE 4" ⑥ EXISTING COMBINATION C&G TYPE B-6.12 ⑦ EXISTING BARRIER CURB, SPECIAL ⑧ EXISTING COMBINATION C&G TYPE B-6.24 ⑨ EXISTING SOLID MEDIAN, SB-6.06 ⑬ EXISTING PCC PAVEMENT 7" ⑭ EXISTING CURB | <ul style="list-style-type: none"> ⑳ PROPOSED HOT-MIX ASPHALT SURFACE REMOVAL, 1/2" ㉑ PROPOSED SUBBASE GRANULAR MATERIAL, TYPE A 8" ㉒ PROPOSED SUBBASE GRANULAR MATERIAL, TYPE C ㉓ PROPOSED HOT-MIX ASPHALT PAVEMENT (FULL-DEPTH), 1 3/4" ㉔ PROPOSED HOT-MIX ASPHALT SHOULDERS, 8" ㉕ PROPOSED COMBINATION CONCRETE CURB & GUTTER, TYPE B-6.24 ㉖ PROPOSED POLYMERIZED HOT-MIX ASPHALT SURFACE COURSE, MIX "E", N105, 1/2" ㉗ PROPOSED CONCRETE MEDIAN SURFACE 4" ㉘ PROPOSED SUBBASE GRANULAR MATERIAL, TYPE A 6" ㉙ PROPOSED PORTLAND CEMENT CONCRETE PAVEMENT 10" ㉚ PROPOSED CONCRETE MEDIAN, TYPE SB-6.06 ㉛ PROPOSED PORTLAND CEMENT CONCRETE SIDEWALK, 5" ㉜ PROPOSED HOT-MIX ASPHALT SURFACE REMOVAL, 3/4" ㉝ PROPOSED POLYMERIZED LEVELING BINDER (MACHINE METHOD), N105, 1 3/4" |
|---|--|
-
- | | |
|--|--|
| <ul style="list-style-type: none"> PROPOSED PAVEMENT REMOVAL PROPOSED PAVED SHOULDER REMOVAL PROPOSED COMBINATION C&G REMOVAL PROPOSED HMA SURFACE REMOVAL | <ul style="list-style-type: none"> PROPOSED MEDIAN REMOVAL PROPOSED MEDIAN SURFACE REMOVAL |
|--|--|

FILE NAME =	USER NAME = thomashf	DESIGNED -	REVISED -	STATE OF ILLINOIS DEPARTMENT OF TRANSPORTATION	TYPICAL SECTIONS CARBON STREET	F.A.P. RTE.	SECTION	COUNTY	TOTAL SHEETS	SHEET NO.
ct:\pw_work\pwsdot\thomashf\d0157472\78155-sht.miso.dgn	DRAWN -	REVISED -	331			(1X-1R-1,RS-2,N-2,TS-3	WILLIAMSON	167	30	
PLOT SCALE = 50,0000 ' / IN.	CHECKED -	REVISED -	CONTRACT NO. 78155			ILLINOIS FED. AID PROJECT				
PLOT DATE = 4/19/2011	DATE -	REVISED -	SCALE:			SHEET NO.	OF SHEETS	STA.	TO STA.	