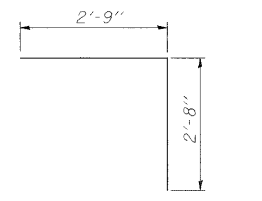
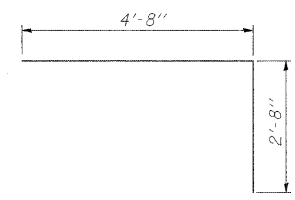


SECTION A-A

TO BE USED:
 STA. 854+50 TO 854+75
 STA. 855+75 TO 857+00



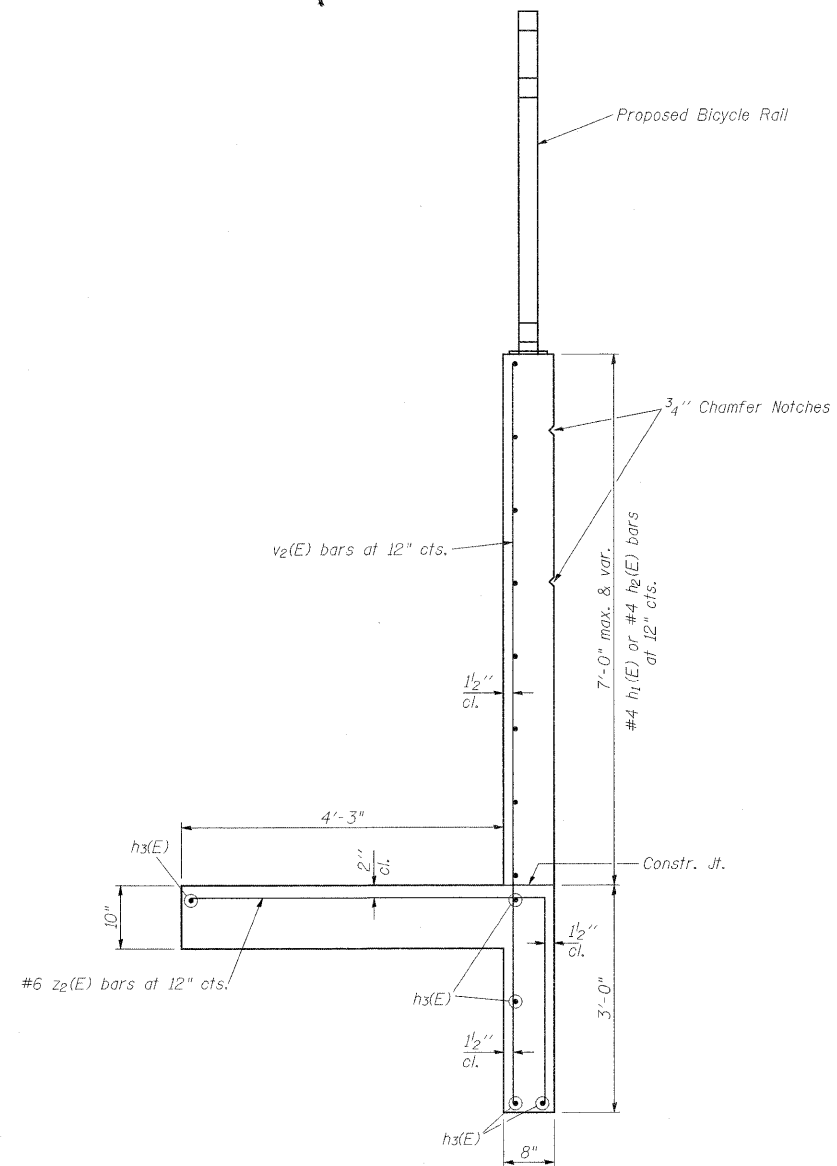
BAR z1



BAR z2

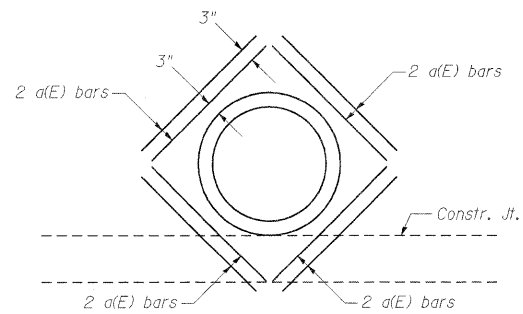
DESIGN STRESSES

$f_y = 60,000 \text{ psi}$
 $f'_c = 3,500 \text{ psi}$



SECTION B-B

TO BE USED:
 STA. 854+75 TO 855+75



ELEVATION

View of Storm Sewer @ Sta. 855+23
 Looking North

Reinforcement Bars shall conform to the requirements of AASHTO M-31, M-42 or M-53, Grade 60.
 All construction joints shall be bonded.
 Expansion and construction joints shall be placed as shown. They shall be constructed as shown in the detail. The cost of the preformed joint filler, water seal, and concrete nails shall be included in the cost of Concrete Structures.
 The footing shall not have an expansion joint. It shall be continuous.
 The storm sewer pipe exiting through the retaining wall at Sta. 855+23 shall be surrounded by a(E) bars as shown in the elevation detail.

NOTES

The bicycle rail shall be installed on top of the retaining wall.
 A 3/4 inch chamfer strip shall be placed on the forms to produce notches 1' and 3' from the top of the wall along its entire length.
 Porous granular embankment (CA 7 or CA 11) and 6" diameter perforated pipe underdrain shall be placed behind the retaining wall as shown on the detail. The cost of the pge (150 cu yd), the pipe underdrain (250 ft), and the associated geotextile fabric (220 sq yd) shall be included in the cost of Concrete Structures.
 A minimum bar lap of 1'-8" shall be used for overlapping #4 bars.

* BILL OF MATERIAL

Bar	No.	Size	Length	Shape
a(E)	8	#4	2'-10"	—
z1(E)	144	#4	5'-5"	┌
z2(E)	106	#6	7'-4"	┌
h1(E)	36	#4	27'-8"	—
h2(E)	21	#4	31'-0"	—
h3(E)	45	#4	29'-3"	—
v1(E)	144	#4	6'-9"	—
v2(E)	106	#4	9'-9"	—
Concrete Structures		Cu. Yd.	70.2	
Reinforcement Bars		Pound	5030	
Epoxy Coated				

*All Reinforcement Bars shall be Epoxy Coated

FILE NAME =	USER NAME = thomashf	DESIGNED -	REVISED -	STATE OF ILLINOIS DEPARTMENT OF TRANSPORTATION	DETAILS - RETAINING WALL	F.A.P. RTE.	SECTION	COUNTY	TOTAL SHEETS	SHEET NO.	
c:\p\work\pwsdot\thomashf\d8157472\7815	s-ash-detail.s.dgn	DRAWN -	REVISED -			331	(1X-1R-1,RS-2,N-2,TS-3	WILLIAMSON	167	85	
	PLOT SCALE = 50,0000' / IN.	CHECKED -	REVISED -			CONTRACT NO. 78155					
	PLOT DATE = 4/21/2011	DATE -	REVISED -			ILLINOIS FED. AID PROJECT					