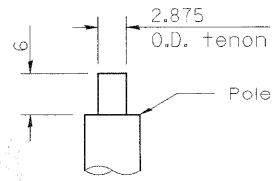
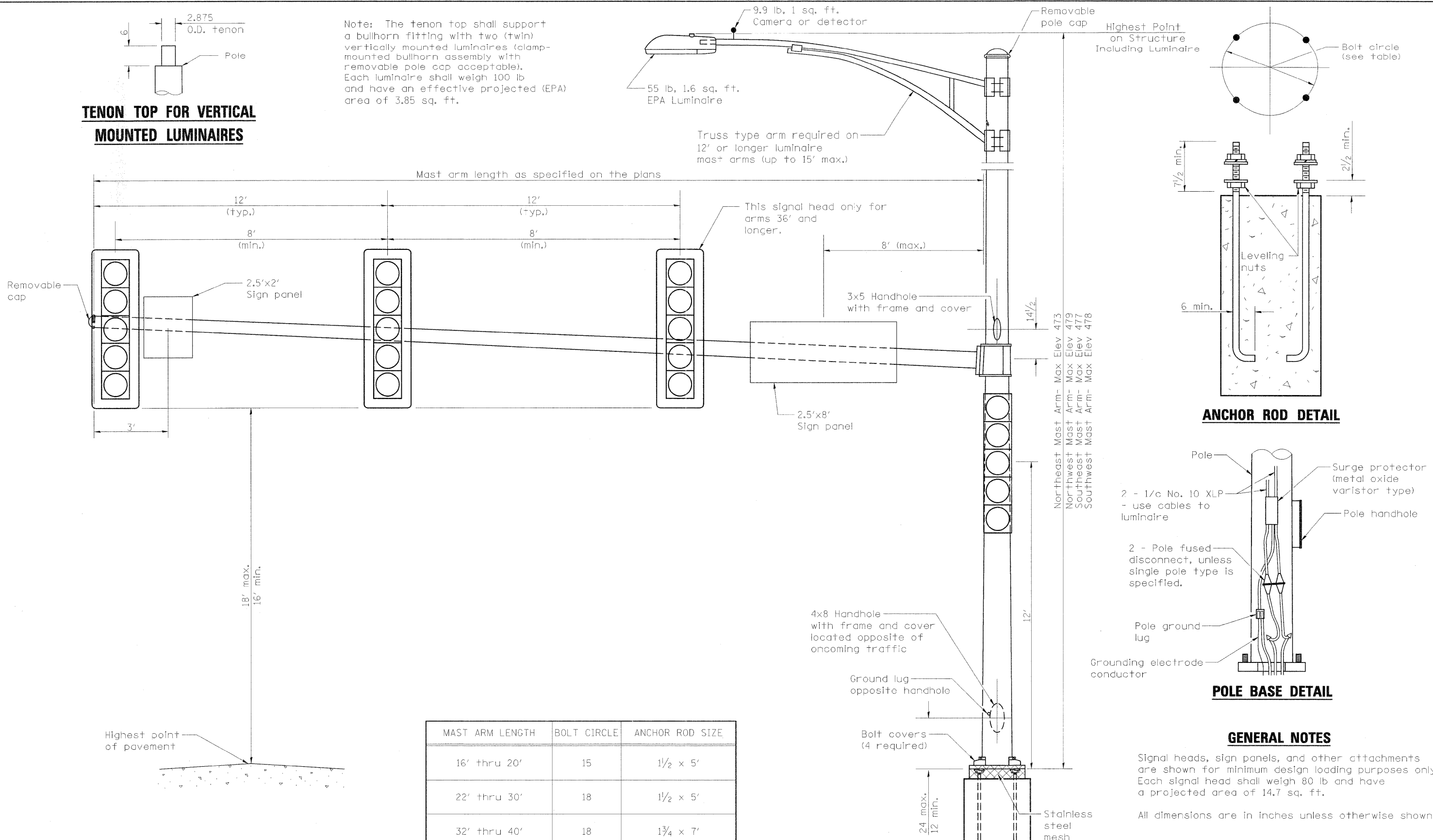


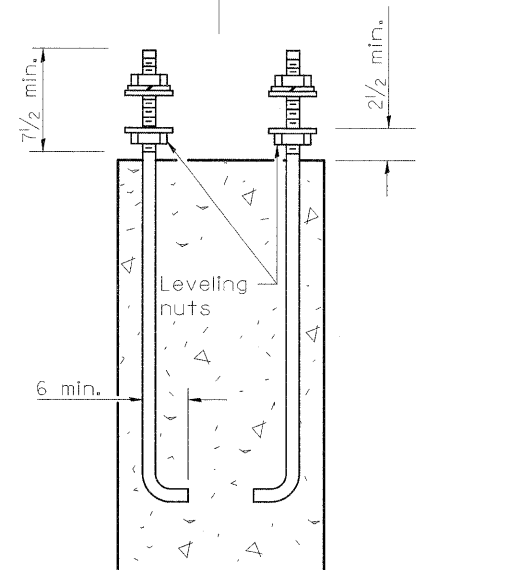
**TENON TOP FOR VERTICAL MOUNTED LUMINAIRES**



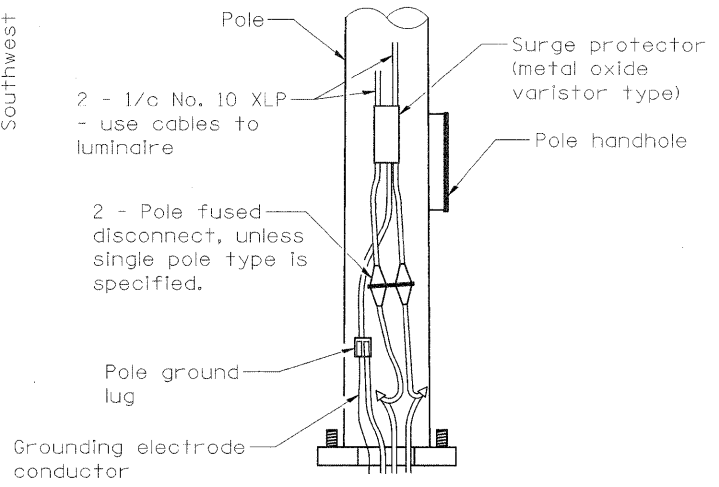
Note: The tenon top shall support a bullhorn fitting with two (two) vertically mounted luminaires (clamp-mounted bullhorn assembly with removable pole cap acceptable). Each luminaire shall weigh 100 lb and have an effective projected (EPA) area of 3.85 sq. ft.



**ANCHOR ROD DETAIL**



**POLE BASE DETAIL**



**GENERAL NOTES**

Signal heads, sign panels, and other attachments are shown for minimum design loading purposes only. Each signal head shall weigh 80 lb and have a projected area of 14.7 sq. ft.  
All dimensions are in inches unless otherwise shown.

MAST ARM LENGTH	BOLT CIRCLE	ANCHOR ROD SIZE
16' thru 20'	15	1 1/2 x 5'
22' thru 30'	18	1 1/2 x 5'
32' thru 40'	18	1 3/4 x 7'
42' thru 55'	21	1 3/4 x 7'

**STEEL COMB. MAST ARM ASSEMBLY AND POLE 16' THROUGH 55'**