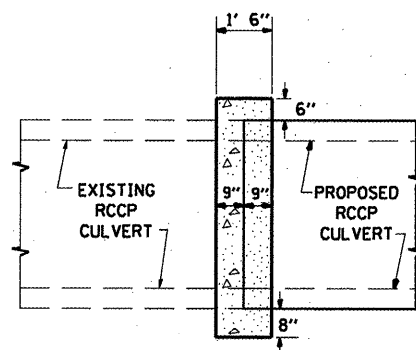
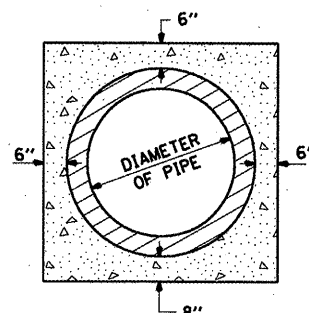


## DETAILS OF CONCRETE COLLAR FOR PIPE CULVERT EXTENSION ON SN 028-0058



SIDE VIEW



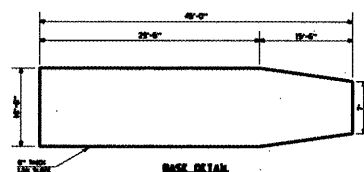
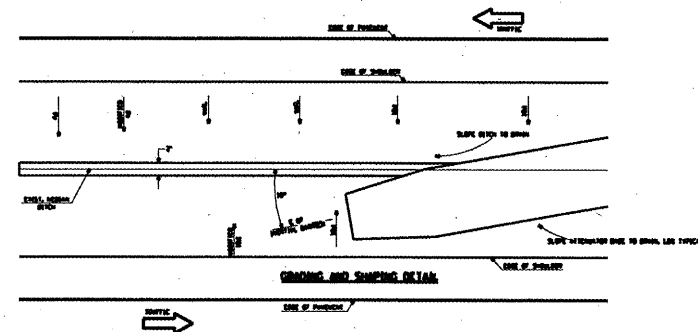
END VIEW

### QUANTITY ONE COLLAR

DIA OF PIPE	CLASS SI CONC CU YD (EST)
24"	0.44
30"	0.76
36"	0.76

THE CONCRETE COLLAR SHALL BE PAID FOR AT THE CONTRACT UNIT PRICE PER CUBIC YARD FOR **CONCRETE COLLAR**, AS SHOWN ON THE PLANS. CLASS SI CONCRETE SHALL BE USED THROUGHOUT.

## SLOPES APPLICABLE TO INERTIAL BARRIERS



- GENERAL NOTES**
1. ALL SLOPE SHOWN ON THIS DETAIL SHALL BE CONSTRUCTED ON A FLAT, FIRM SUBGRADE.
  2. THE SLOPES AS SHOWN ON THIS DETAIL SHALL APPLY TO BOTH SIDES OF THE BARRIER.
  3. THE MATERIAL FOR THE BASE SHALL BE CLASS SI CONCRETE. THE BASE SHALL BE FINISHED. THIS SHALL BE INCLUDED IN THE COST OF THE BARRIER ATTENUATION/IMPACT-RESISTIVE TEST LEVEL 3 BARRIER.
  4. THE EXISTING GROUND AND A 1% SLOPE, AND STOPPING, STOPPING, AND THE PROPOSED 10% SLOPE WILL BE PUBLISHED ENGINEERING TO COMPLETE.

FILE NAME =	USER NAME = sheperdgd	DESIGNED - ---	REVISED - ---
cr:\pw\work\pwi\dot\sheperdgd\0229675\78228-sht-misc.dgn		DRAWN - ---	REVISED - ---
	PLOT SCALE = 1/8" = 1' / IN.	CHECKED - ---	REVISED - ---
	PLOT DATE = 3/4/2011	DATE - ---	REVISED - ---

**STATE OF ILLINOIS  
DEPARTMENT OF TRANSPORTATION**

### PROJECT DETAILS

SCALE: \_\_\_\_\_ SHEET NO. \_\_\_\_\_ OF \_\_\_\_\_ SHEETS STA. \_\_\_\_\_ TO STA. \_\_\_\_\_

F.A. RTE.	SECTION	COUNTY	TOTAL SHEETS	SHEET NO.
VAR	D9 SAFETY 2011-1	VARIOLS	165	39
<b>CONTRACT NO. 78228</b>				
ILLINOIS FED. AID PROJECT				