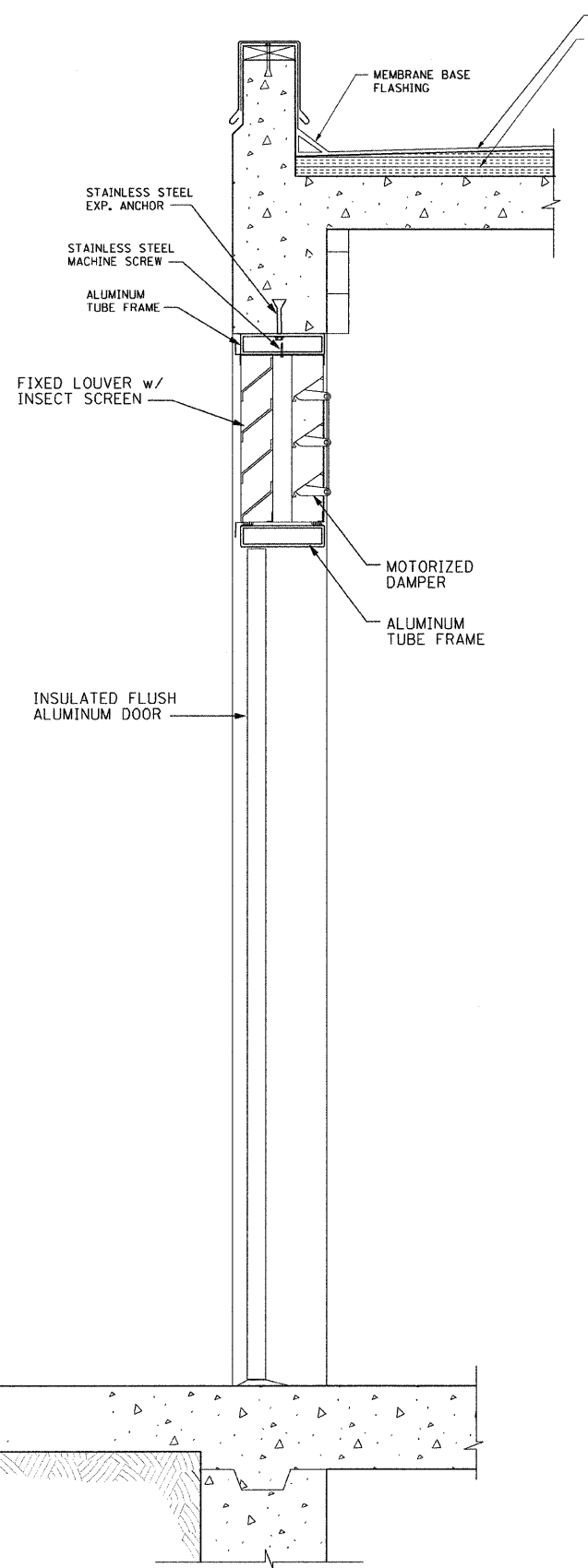
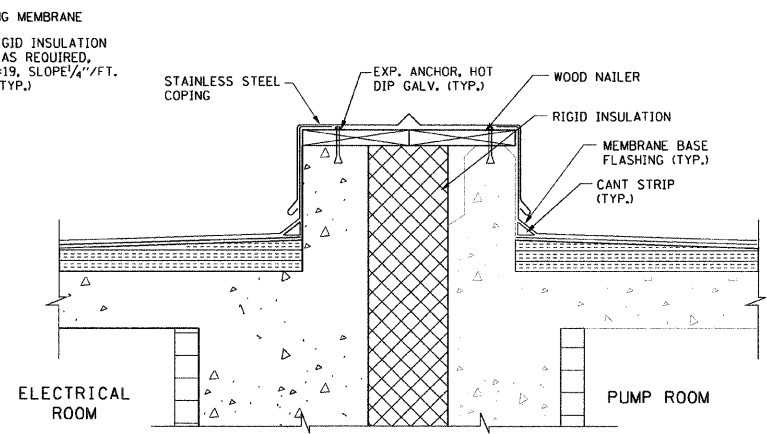


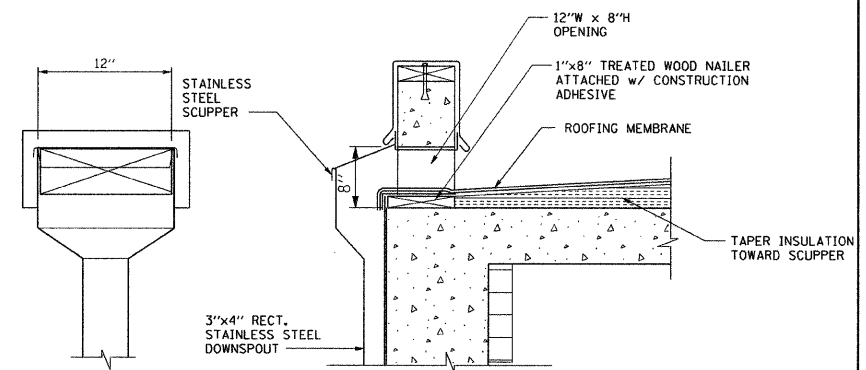
F.A.P. RTE.	SECTION	COUNTY	TOTAL SHEETS	SHEET NO.
365	59(SA, SB&SF)	DUPAGE	39	13
FED. ROAD DIST. NO.		ILLINOIS FED. AID PROJECT		



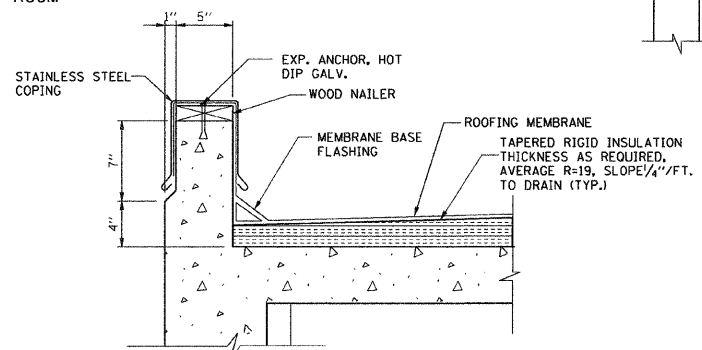
DOOR DETAIL



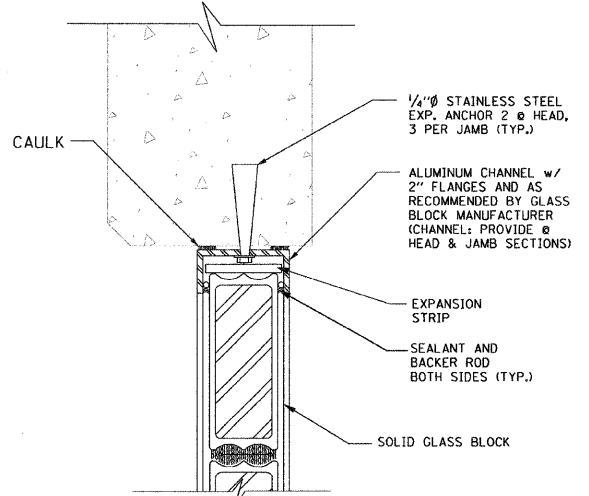
ELECTRICAL/PUMP ROOM PARAPET FLASHING DETAIL



SCUPPER DETAIL



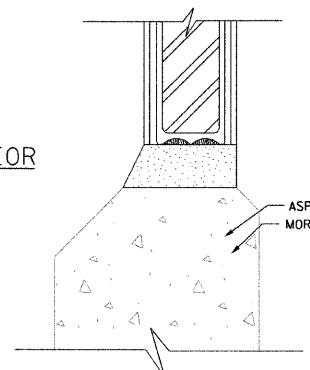
TYPICAL ROOF EDGE DETAIL



HEAD & JAMB

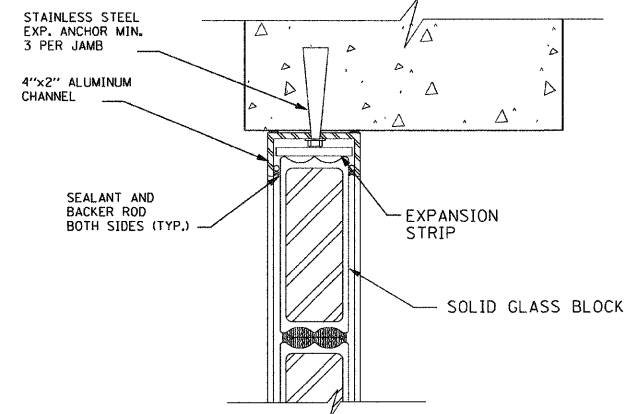
INTERIOR

EXTERIOR



SILL

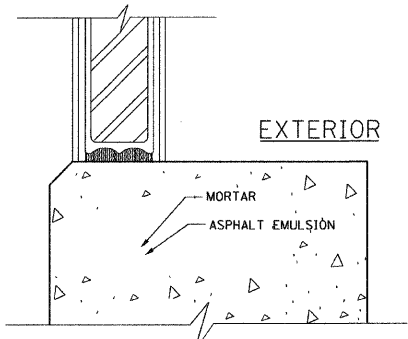
PUMP ROOM



HEAD & JAMB

INTERIOR

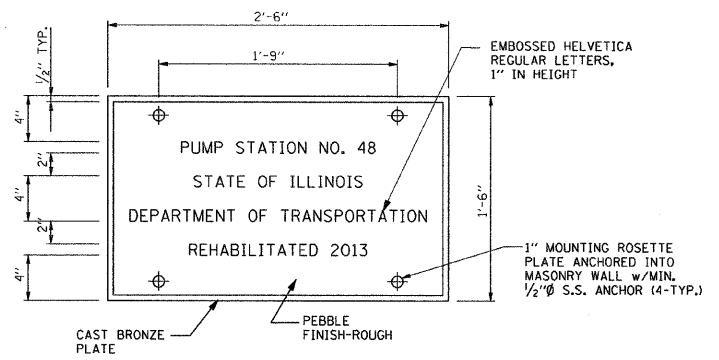
EXTERIOR



SILL

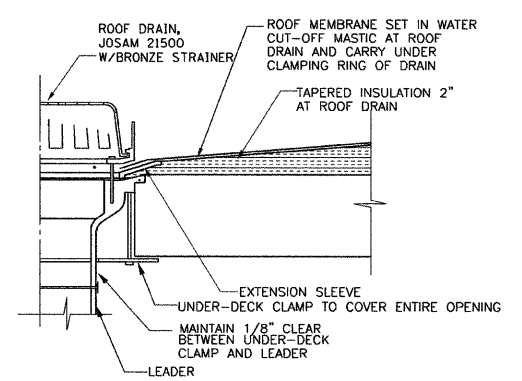
ELECTRICAL ROOM

GLASS BLOCK WINDOW DETAIL



IDENTIFICATION PLATE

NO SCALE



ROOF DRAIN DETAIL

NO SCALE



A2

REVISIONS	
NAME	DATE

ILLINOIS DEPARTMENT OF TRANSPORTATION
**PUMP STATION NO. 48
REHABILITATION**
ARCHITECTURAL DETAILS
SCALE: AS SHOWN
DATE: 03-10-11
DRAWN BY: CM
CHECKED BY: PJE