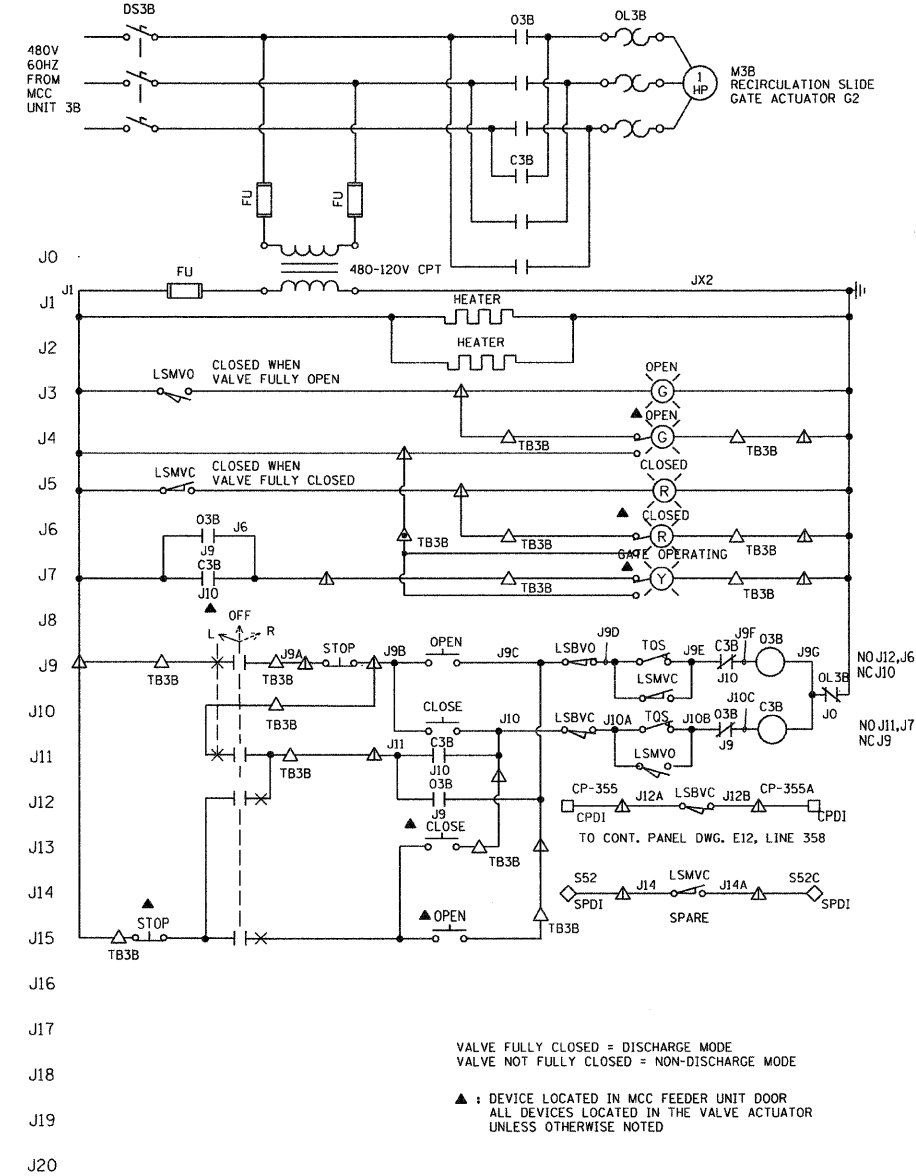


DISCHARGE SLIDE GATE ACTUATOR G1

| LINE NUMBER & WIRE NUMBER PREFIX | | |
|----------------------------------|-------------------------|-----------------------|
| EQUIPMENT | PREFIX SHOWN ON DRAWING | PREFIX TO BE ASSIGNED |
| DISCHARGE SLIDE GATE G1 | G | M2B |
| RECIRCULATION SLIDE GATE G2 | J | M3B |



RECIRCULATION SLIDE GATE VALVE ACTUATOR G2

NOTE: ALL DEVICES MOUNTED IN MOTOR STARTER UNLESS OTHERWISE NOTED

- LEGEND:
- LSBVC : LIMIT SWITCH CONTACT BREAKS WHEN GATE IS FULLY CLOSED.
 - LSBVO : LIMIT SWITCH CONTACT BREAKS WHEN GATE IS FULLY OPEN.
 - LSMVO : LIMIT SWITCH CONTACT MAKES WHEN GATE IS FULLY OPEN.
 - LSMVC : LIMIT SWITCH CONTACT MAKES WHEN GATE IS FULLY CLOSED.
 - △ : TERMINAL LOCATED IN MCC STARTER OR FEEDER UNIT
 - ▲ : TERMINAL LOCATED IN LOCAL MOTOR STARTER
 - : TERMINAL LOCATED IN CONTROL PANEL
 - ◇ : TERMINAL LOCATED IN SCADA PANEL
 - * : DEVICE LOCALLY MOUNTED

E7

| REVISIONS | |
|-----------|------|
| NAME | DATE |
| | |
| | |
| | |
| | |
| | |

ILLINOIS DEPARTMENT OF TRANSPORTATION

PUMP STATION NO. 48
REHABILITATION

**ELECTRIC VALVE ACTUATOR
CONTROL SCHEMATICS**

SCALE: N/A DRAWN BY: HFF
DATE: 03-10-11 CHECKED BY: MS

