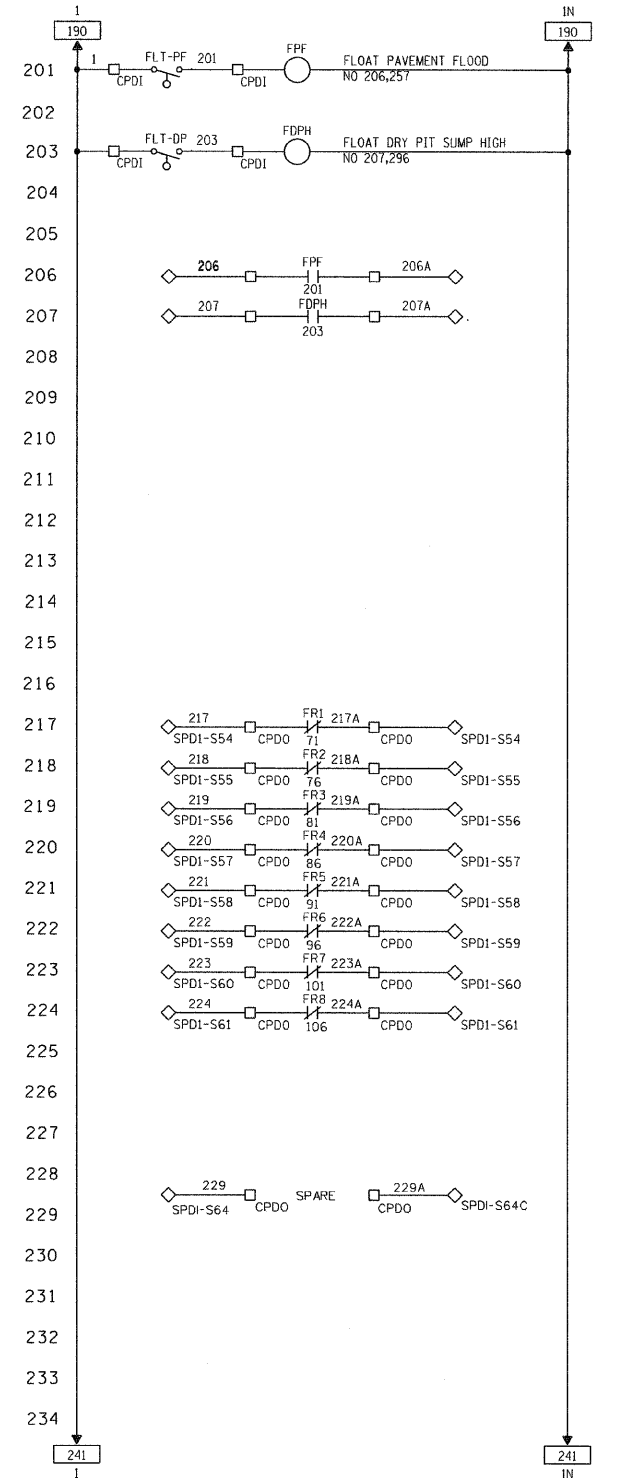
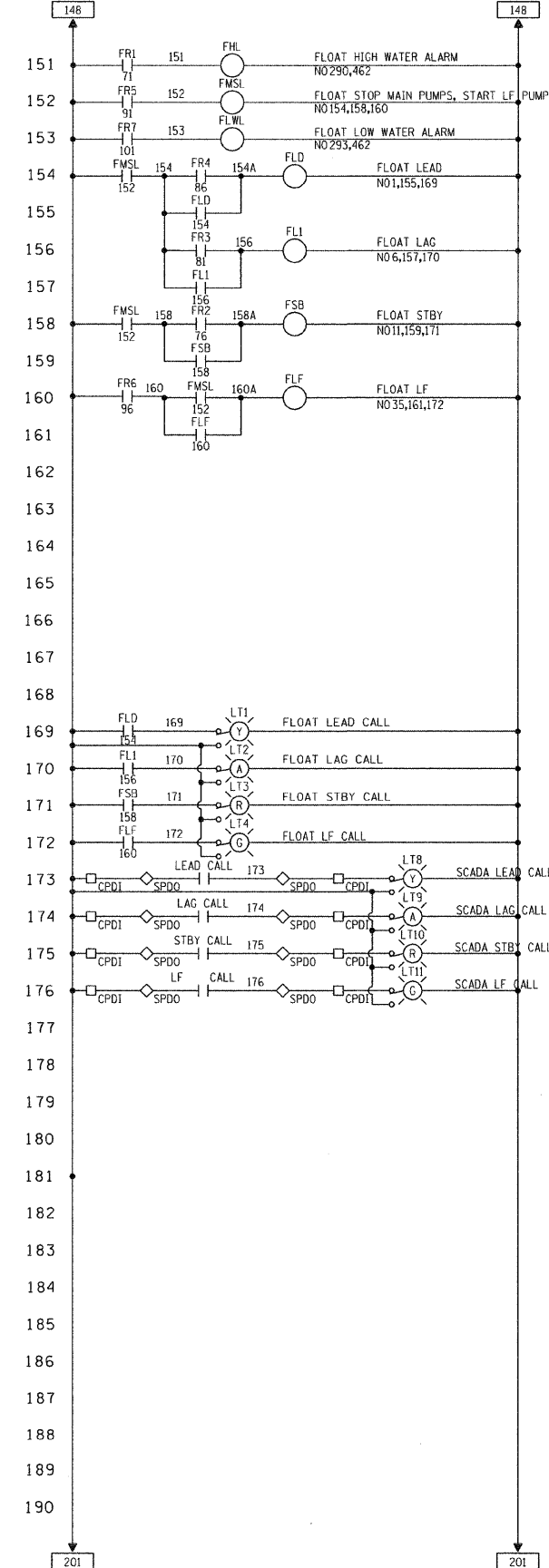
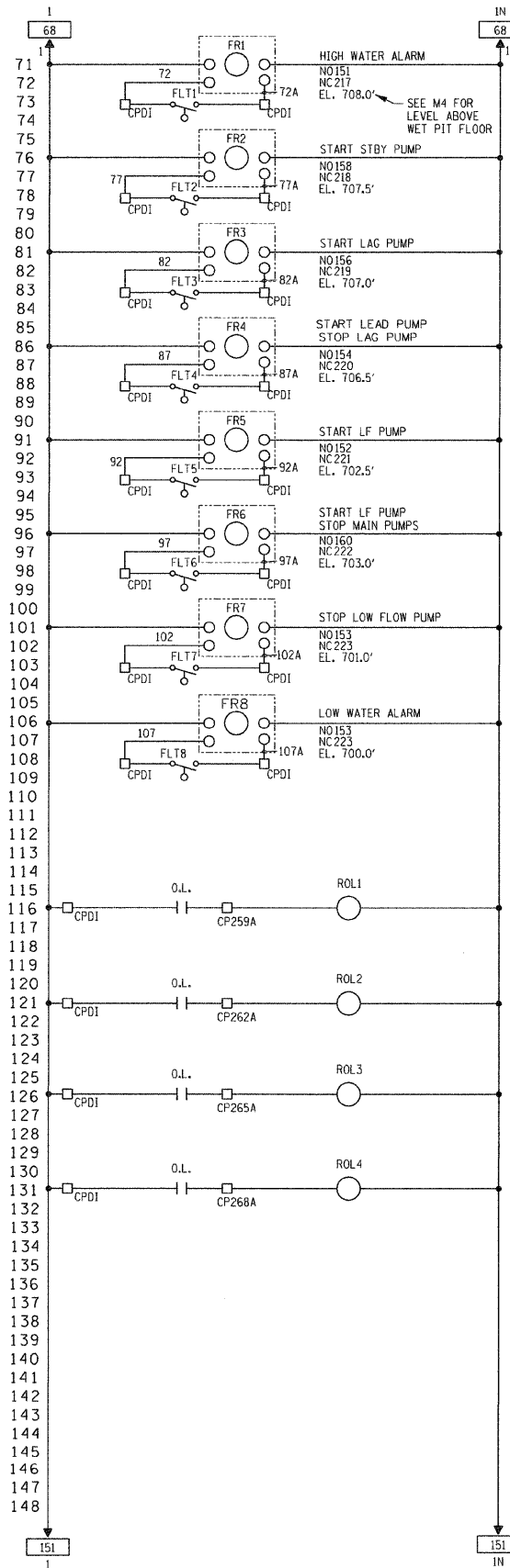


LEGEND

- △ TERMINAL IN MOTOR STARTER
- TERMINAL IN CONTROL PANEL
- ◇ TERMINAL IN SCADA PANEL
- ▲ DEVICE LOCATED ON STARTER DOOR
- DEVICE LOCALLY MTD
- DEVICE IN CONTROL PANEL
- ◆ DEVICE IN SCADA PANEL



E11

REVISIONS	
NAME	DATE

ILLINOIS DEPARTMENT OF TRANSPORTATION

**PUMP STATION NO. 48
REHABILITATION**

**CONTROL PANEL
SCHEMATIC SHEET - 1**

SCALE: N/A DRAWN BY: HFF
DATE: 03-10-11 CHECKED BY: LT

