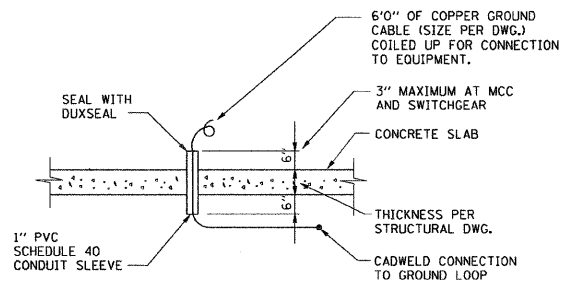
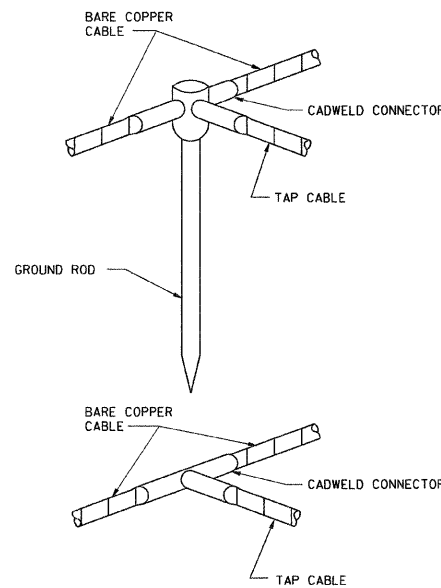


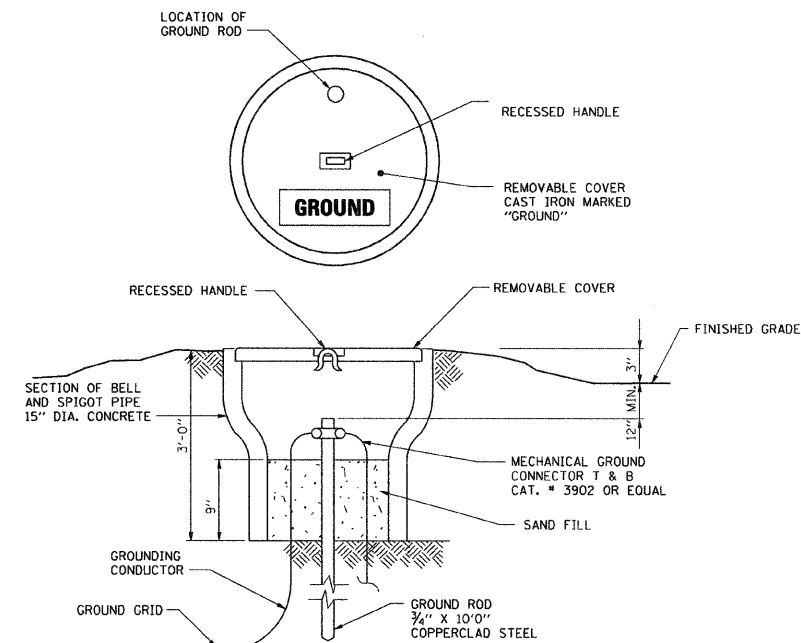
**CONDUCTOR TO GROUND ROD CONNECTION DETAIL**  
E451  
NTS



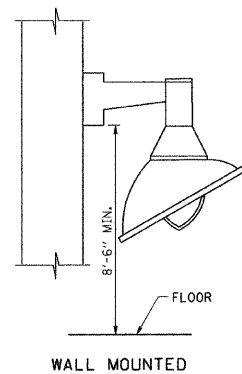
**EQUIPMENT GROUND CABLE STUB-UP**  
E452  
NTS



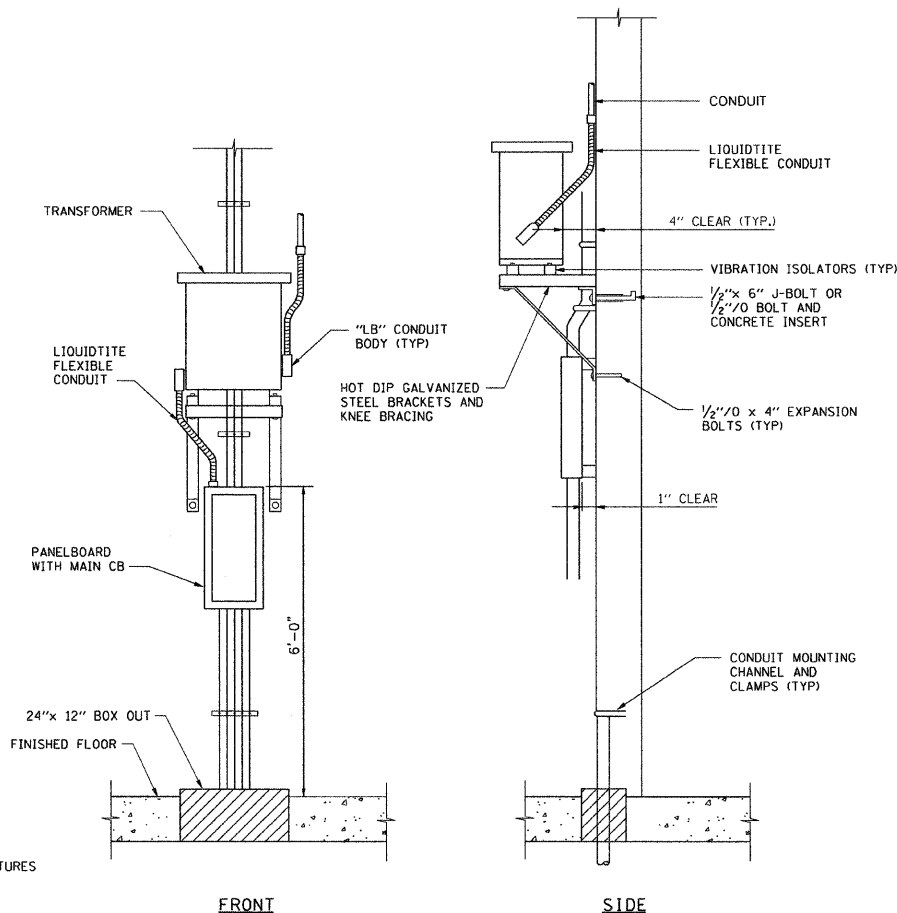
**GROUNDING CONNECTION DETAIL**  
E453  
NTS



**GROUNDING TEST STATION DETAIL**  
E455  
NTS

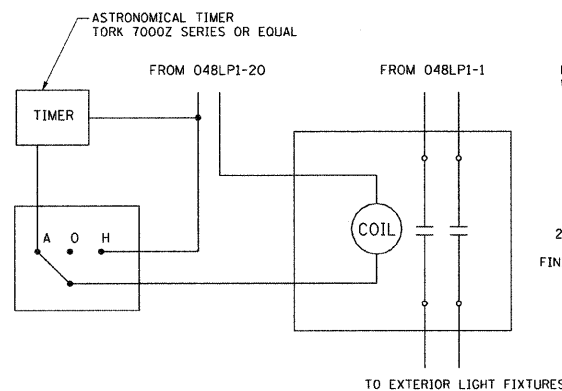


**FIXTURE MOUNTING DETAIL**  
E500  
NTS

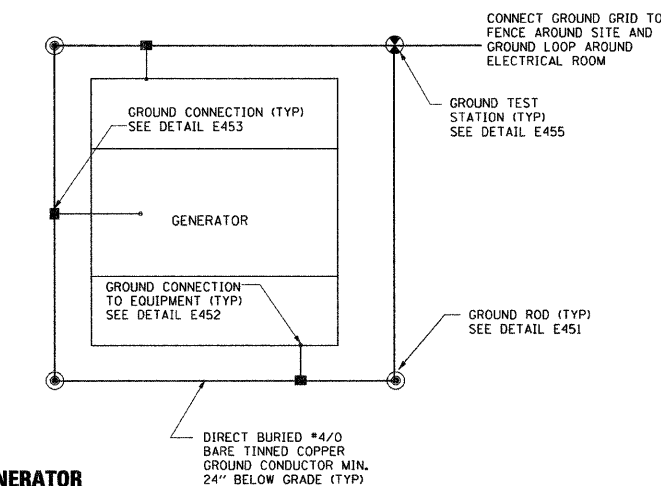


**WALL MOUNTED TRANSFORMER AND PANEL BOARD**  
E991  
NTS

FIXTURE SCHEDULE						
TYPE	DESCRIPTION	LAMPS		MANUFACTURER	CATALOG NUMBER	REMARKS
		NO	ORD ABB			
A	1X4 ENCLOSED AND GASKETED FLUORESCENT FIXTURE	2	T8 32W	LITHONIA	DMW-2-32-120-GEB10IS	MOUNTED 9'-6" AFF
D	PULSE START METAL HALIDE WALL PACK	1	175MH	LITHONIA	TWP-175M-120-SCWA-LP1	WALL MOUNTED AS INDICATED FIXTURES SHALL BE LOCATED AT LEAST 3'-0" FROM BLDG OPENINGS
F	EXIT LIGHT WITH LED LAMPS RED LETTERS/WHITE HOUSING	-	WITH UNIT	LITHONIA	LOM-S-W-3-R-120/277- EL N	MOUNTED ABOVE DOOR UNLESS OTHERWISE NOTED
G	EMERGENCY BATTERY LIGHT WITH TWO UNIT MOUNTED LAMP HEADS AND CAPACITY FOR REMOTE HEADS	2	WITH UNIT	LITHONIA	ETL180	WALL MOUNTED 8'-0" ABOVE FLOOR
J	WALL MOUNTED PULSE START METAL HALIDE FLOODLIGHT FIXTURE SUITABLE FOR CI DI LOCATION	1	400MH	APPLETON	CFL400-MTCA-AF-EXL-CMR-4AN	SEE (E500) PROVIDE WITH 30" FLEXIBLE CONNECTION
L	WALL MOUNTED PULSE START METAL HALIDE FIXTURE SUITABLE FOR WET LOCATION	1	175MH	APPLETON	LPWBP1775-MT-VPGL-2PL-KR2-AN-MTE	SEE (E500) PROVIDE WITH QUARTZ AUXILIARY EMERGENCY LAMP (MTE) AND SOCKET WHERE INDICATED ON DRAWINGS



**LIGHTING CONTACTOR AND TIMER WIRING DIAGRAM**  
E951  
NTS



**GENERATOR GROUNDING DETAIL**  
E999  
NTS

E20

REVISIONS	
NAME	DATE

ILLINOIS DEPARTMENT OF TRANSPORTATION  
PUMP STATION NO. 48  
REHABILITATION  
ELECTRICAL DETAILS

SCALE: N/A  
DATE: 03-10-11  
DRAWN BY: HFF  
CHECKED BY: MS