

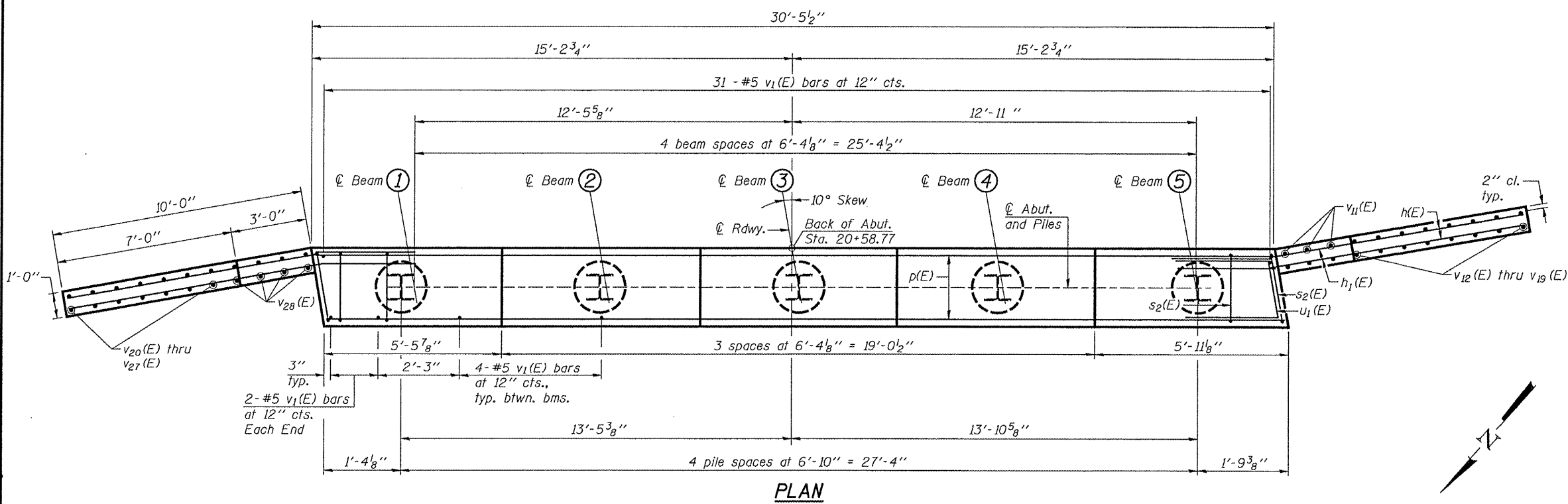
ELEVATION
(Looking East)

SEC. THRU ABUT.

BILL OF MATERIAL

Bar	No.	Size	Length	Shape
h(E)	40	#6	13'-10"	—
h1(E)	24	#4	13'-6"	—
p(E)	11	#7	30'-1"	—
s2(E)	32	#4	13'-5"	□
u1(E)	8	#6	7'-2"	∩
v1(E)	55	#5	4'-4"	—
v11(E)	6	#5	9'-3"	—
v12(E)	2	#5	9'-2"	—
v13(E)	2	#5	8'-8"	—
v14(E)	2	#5	8'-2"	—
v15(E)	2	#5	7'-8"	—
v16(E)	2	#5	7'-2"	—
v17(E)	2	#5	6'-8"	—
v18(E)	2	#5	6'-2"	—
v19(E)	2	#5	5'-10"	—
v20(E)	2	#5	6'-0"	—
v21(E)	2	#5	6'-4"	—
v22(E)	2	#5	6'-10"	—
v23(E)	2	#5	7'-4"	—
v24(E)	2	#5	7'-10"	—
v25(E)	2	#5	8'-4"	—
v26(E)	2	#5	8'-10"	—
v27(E)	2	#5	9'-4"	—
v28(E)	6	#5	9'-5"	—

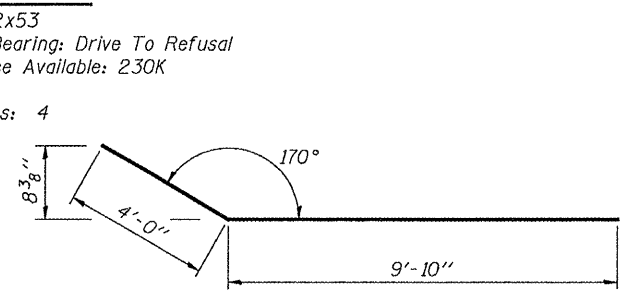
Structure Excavation	Cu. Yd.	169
Concrete Structures	Cu. Yd.	19.4
Concrete Encasement	Cu. Yd.	1.7
Reinforcement Bars, Epoxy Coated	Pound	2,720
Furnishing Steel Piles HP12x53	Foot	76
Driving Piles	Foot	76
Test Pile Steel HP12x53	Each	1
* Geocomposite Wall Drain	Sq. Yd.	47
* Porous Granular Embankment, Special	Cu. Yd.	99
* Pipe Underdrains for Structures 4"	Foot	90



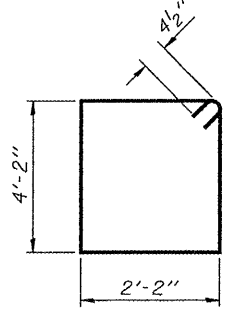
PLAN

PILE DATA

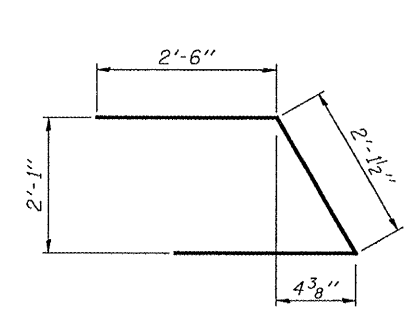
Type: Steel HP 12x53
 Nominal Required Bearing: Drive To Refusal
 Factored Resistance Available: 230K
 Est. Length: 19'
 No. Production Piles: 4
 No. Test Piles: 1



BAR h(E)



BARS s2(E)



BAR u1(E)

NOTES:

*See Structural Sheet 2 of 17 for Drainage Details.
 For details of Piles and Concrete Encasement, see Structural Sheet 16 of 17.
 Pour steps monolithically with cap.
 All exposed edges shall have standard 3/4" chamfers, except as noted.

FILE NAME = S:\PROJECTS\2010\1183010_JoDaviness_County_Bethel_Road_DESIGN\STRUCT\Drawings\1183010_EastAbutment.dgn

USER NAME =	DESIGNED - M. C. WAGNER	REVISED -
	CHECKED - B. K. CONVERSE	REVISED -
PLOT SCALE =	DRAWN - F. D. LACHAT	REVISED -
PLOT DATE =	CHECKED - M. A. CACKLEY	REVISED -

JODAVIESS COUNTY
F.A.S. 72 (E. BETHEL RD.) OVER LITTLE RUSH CREEK
STATION 20 + 15

EAST ABUTMENT DETAILS
STRUCTURE NO. 043-3277
 STRUCTURAL SHEET NO. 13 OF 17 SHEETS

F.A.S. RTE.	SECTION	COUNTY	TOTAL SHEETS	SHEET NO.
72	10-00134-00-BR	JODAVIESS	34	23
WHA* 1183010			CONTRACT NO. 65536	
ILLINOIS FED. AID PROJECT ER-00721031				