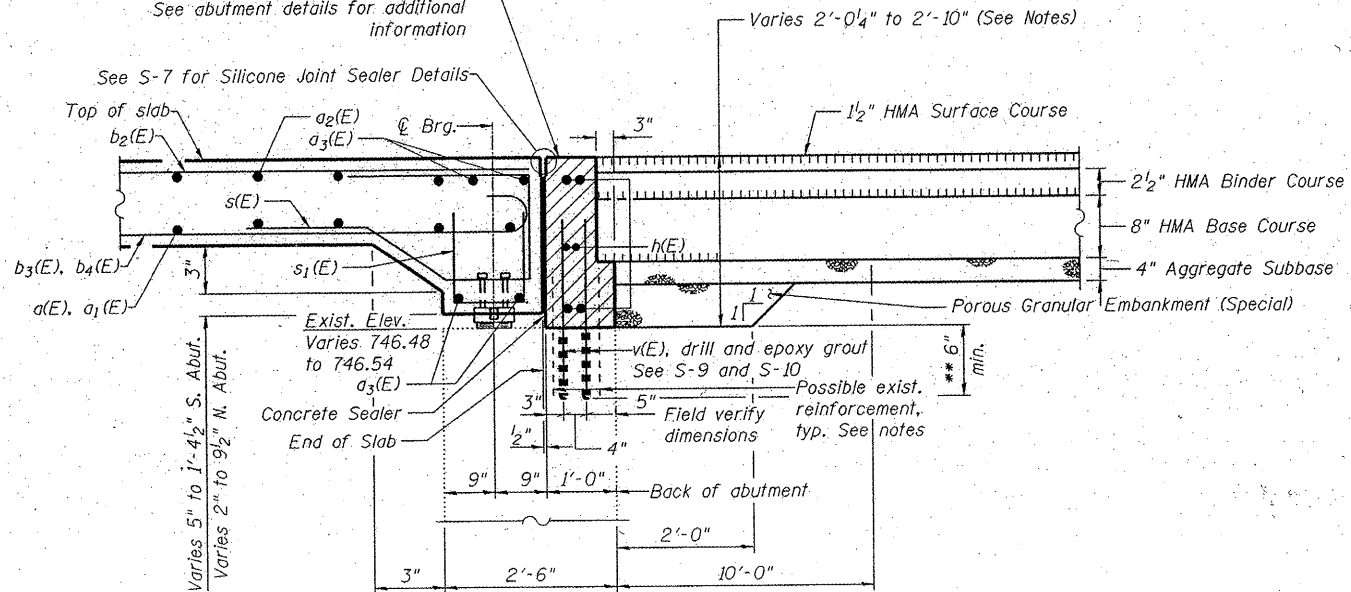


CROSS SECTION
(Looking North)

* 18" at Pier - See Section B-B this sheet

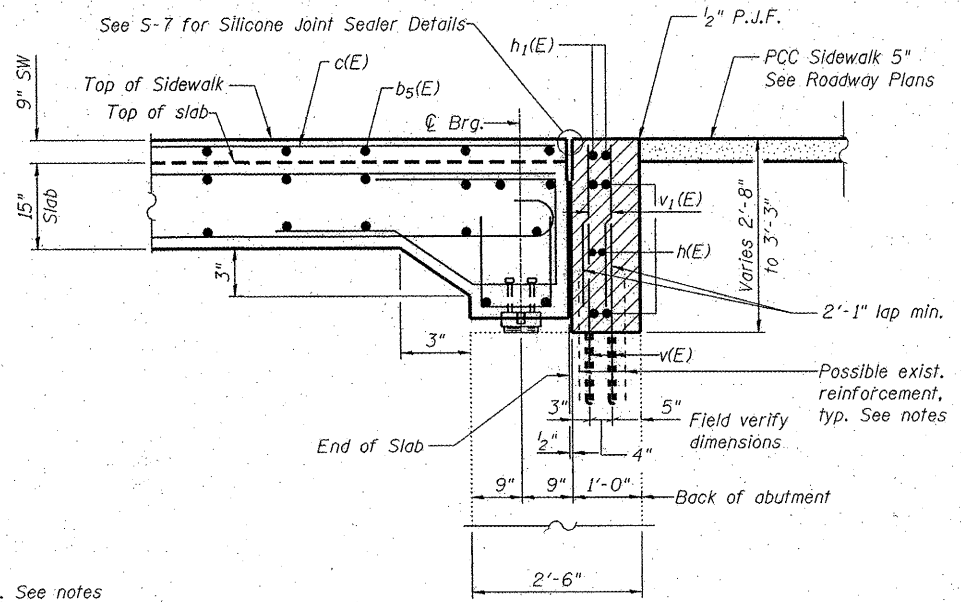
Hatched area to be poured after superstructure false work has been removed. Quantity of concrete included with Concrete Superstructure. See abutment details for additional information.



SECTION A-A

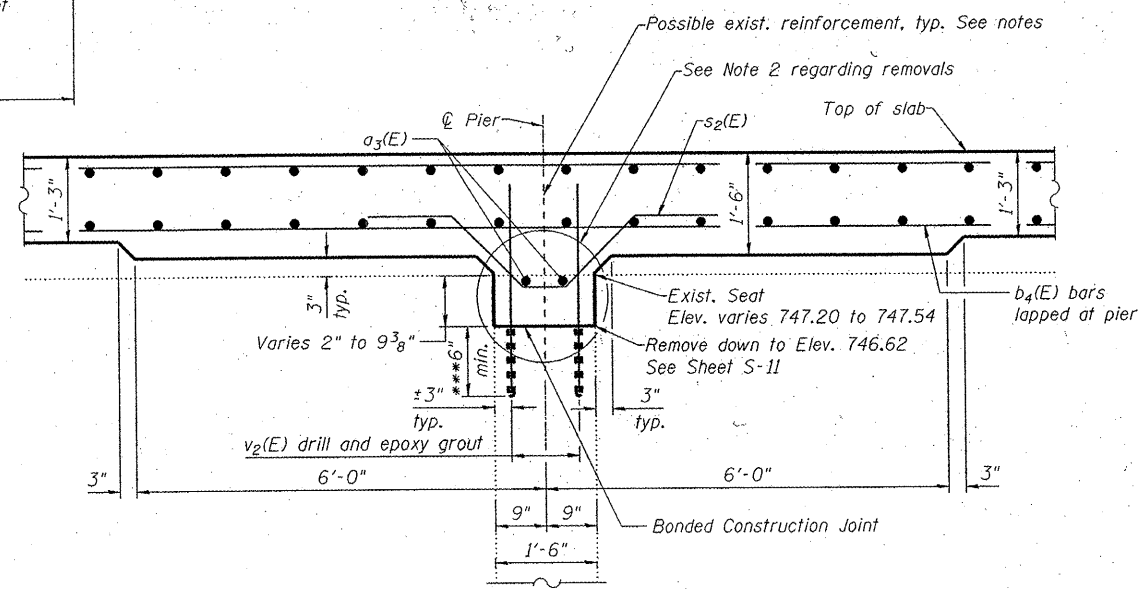
Horizontal dimensions at Rt. L's
See S-9 and S-10 for additional information

** Increase horizontal embedment depth of v(E) bars or trim to fit depth. Coordinate required embedment depth with Manufacturer specifications.



SECTION C-C

Horizontal dimensions at Rt. L's
See Section A-A, S-9 and S-10 for additional information



SECTION B-B

Horizontal dimensions at Rt. L's

*** Coordinate required embedment depth with Manufacturer specifications.

Notes:

- Existing reinforcement shall be cleaned and incorporated into the new construction. Cost included with Removal of Existing Superstructures.
- Removal shall be performed in accordance with Article 501.05 of the Standard Specifications. The cost for this work is included in the item "Removal of Existing Superstructures." Contractor is reminded that chipping hammers shall be limited to 15 pounds when within 1'-0" of elements to remain in place. When outside the 1'-0" limit a maximum 1200 lb may be used provided the elements to remain are not damaged. Repair to damaged elements to remain shall be the responsibility of the Contractor.
- See Sheets S-4, S-6 and S-7 for additional Superstructure Details.
- See Sheet S-6 for Superstructure Bill of Material.
- Incidental excavation required behind abutments shall be done according to the applicable portions of Section 502 of the Standard Specifications. The cost shall be included in Pavement Removal.
- The cost for drilling and epoxy grouting bars shall be included in Reinforcement Bars, Epoxy Coated.

COMPANY NAME: HRGreen
PROJECT CONTACT: HRGreen
CLIENT: HRGreen
DATE PLOTTED: 4/11/2011 8:52:53 AM
FILE NAME: 8510001-10e02.dgn
PLOT DRIVER: perf.plt
PLOT SCALE: STANDARD-TRANS.TBL



USER NAME = Kof-f-t	DESIGNED - KMA	REVISED -
	CHECKED - RGD	REVISED -
PLOT SCALE = N.T.S.	DRAWN - WJH	REVISED -
PLOT DATE = 4/11/2011	CHECKED - 4/11/11	REVISED -

STATE OF ILLINOIS
DEPARTMENT OF TRANSPORTATION

CROSS SECTION AND SUPERSTRUCTURE DETAILS
FAIRVIEW BOULEVARD - S.N. 101-6060

SHEET NO. 5-5 OF 5-11 SHEETS

F.A. RTE.	SECTION	COUNTY	TOTAL SHEETS	SHEET NO.
5141	10-00573-00-BR	WINNEBAGO	20	13
CONTRACT NO. 85540			ILLINOIS FED. AID PROJECT	