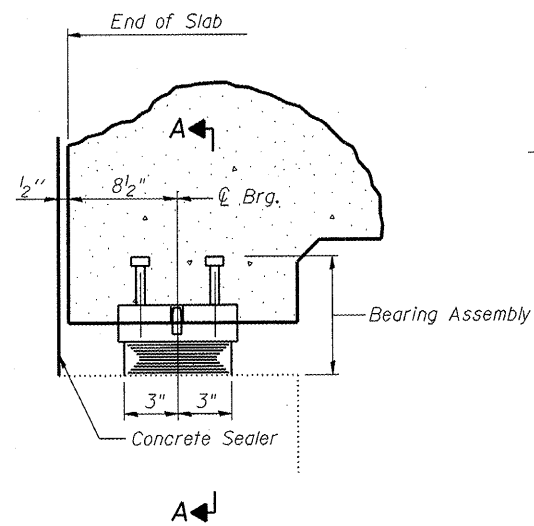
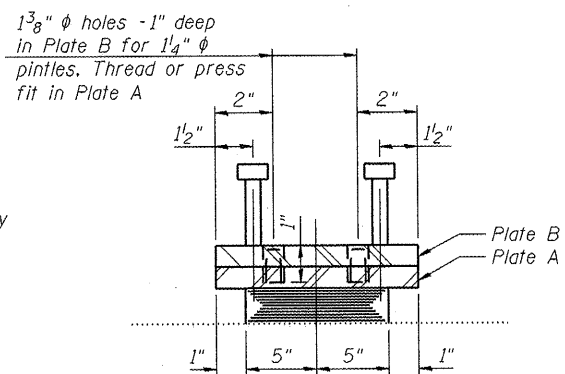


**BEARING ASSEMBLY**

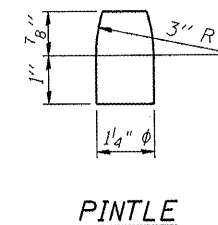
Note:  
Shim plates shall not be placed under Bearing Assembly.



**ELEVATION AT ABUT.**  
Horizontal dimensions at right L's



**SECTION A-A**



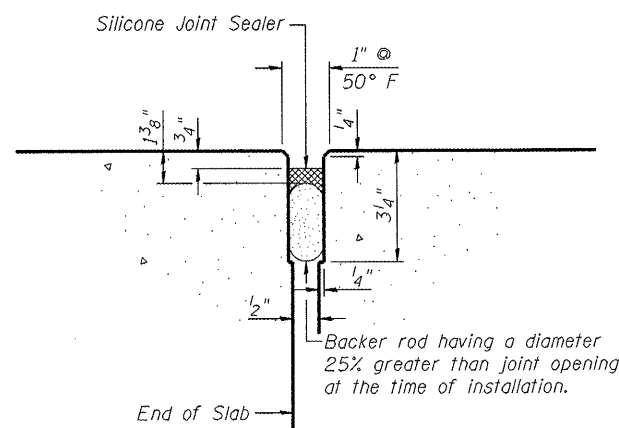
**PINTLE**

**TYPE I ELASTOMERIC EXP. BRG.**

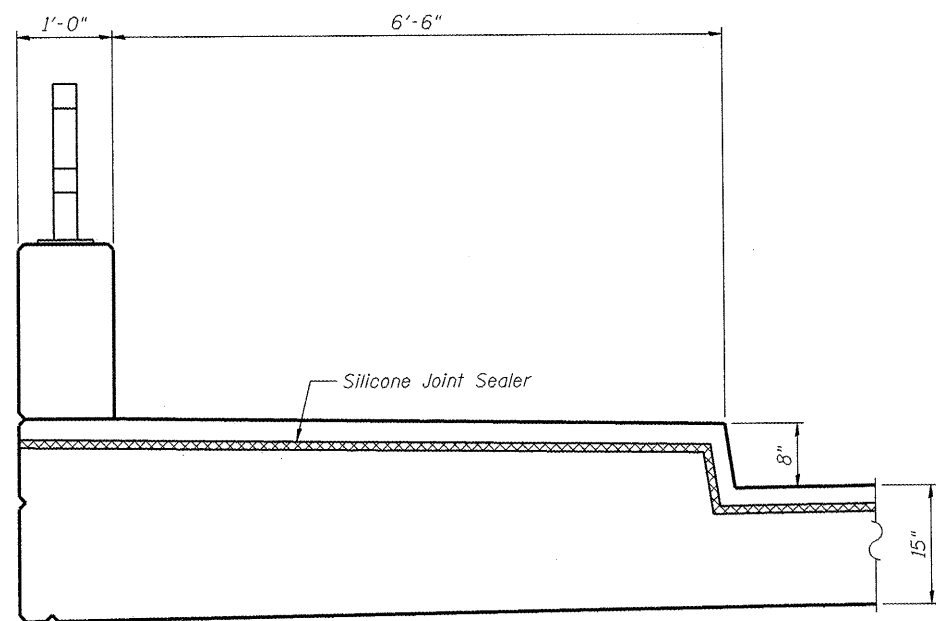
Notes:  
Pintles, studs and other steel members required for the elastomeric bearing assembly shall be included in the cost of Elastomeric Bearing Assembly, Type I.

Shim plates shall not be placed under Bearing Assembly.

All (embedded and separate) bearing plates, studs, and pintles shall be galvanized according to AASHTO M111 or M232 as applicable.



**SILICONE JOINT SEALER**



**SECTION AT SIDEWALK**

**BILL OF MATERIAL**

Item	Unit	Total
Elastomeric Bearing Assembly Type I	Each	24
Silicone Joint Sealer, 1"	Foot	155

COMPANY NAME: HRGreen.com  
PROJECT CONTACT: HRGreen.com  
CLIENT: ILLINOIS  
DATE: 3/25/11  
FILE NAME: 8610029-6-rp.dgn  
PLOT DRIVER: pdcfmt  
PEN TABLE: Struct 22x34.tbl



USER NAME: Korf	DESIGNED: KMA	REVISED:
PLOT SCALE: N.T.S.	CHECKED: RGD	REVISED:
PLOT DATE: 3/31/2011	DRAWN: WJH	REVISED:
	CHECKED: 3/31/11	REVISED:

**STATE OF ILLINOIS  
DEPARTMENT OF TRANSPORTATION**

**BEARING AND EXPANSION JOINT DETAILS  
FAIRVIEW BOULEVARD - S.N. 101-6060**

SHEET NO. S-7 OF S-11 SHEETS

F.A. RTE.	SECTION	COUNTY	TOTAL SHEETS	SHEET NO.
5141	10-00573-00-BR	WINNEBAGO	20	15
			CONTRACT NO. 85540	
ILLINOIS FED. AID PROJECT				