

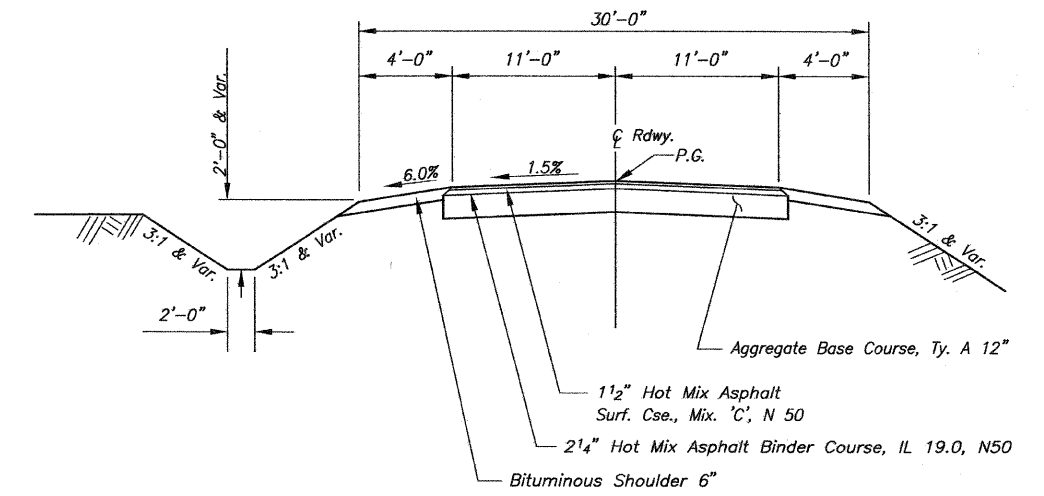
Road Classification: Collector ADT over 0-400 ADT
Current ADT 250

PROPOSED TYPICAL CROSS SECTION
Sta. 8+50 to Sta. 15+30 and
See sheet 6 for transition at the bridge.

APPLICATION RATES USED IN QUANTITY CALCULATIONS

GRANULAR MATERIALS	2.05 TON/CU. YD.
BITUMINOUS MATERIALS (PRIME COAT)	0.40 GALLON/SQ. YD.
HOT MIX ASPHALT (BINDER, SURFACE COURSE AND SHOULDERS)	112 LBS./SQ. YD./INCH

BITUMINOUS CONCRETE MIXTURE REQUIREMENTS				
ITEM	ASPHALT GRADE	COMPOSITION	VOIDS	DENSITY
HOT MIX ASPHALT BINDER CSE. IL 19.0, N50	PG 4-22	IL 19.0	4.0% @ N50	CORES
HOT MIX ASPHALT SURF. CSE. MIX "C", N50	PG 4-22	IL 9.5 or IL 12.5 MIX "C"	4.0% @ N50	CORES
HOT MIX ASPHALT SHOULDERS	PG 4-22	IL 19.0	2.0% @ N30	CORES



PROPOSED TYPICAL CROSS SECTION
Sta. 6+30 to Sta. 8+50 and
Sta. 15+30 to Sta. 19+65

Transition from the proposed roadway to the existing roadway to be constructed from Sta. 6+30 to 6+80 and from Sta. 19+15 to 19+65.

EARTHWORK SCHEDULE						
LOCATION	EARTH EXCAVATION (CU YD)	SHRINKAGE FACTOR	PERCENT USED	AVAILABLE* EXCAVATION (CU YD)	EMBANKMENT REQUIRED (CU YD)	EARTHWORK BALANCE (CU YD)
STA. 6+30 TO STA. 9+65.67	75	25%	100%	56	1075	1019
STA. 9+65.67 TO STA. 10+94.33	0	25%	100%	0	0	0
STA. 10+94.33 TO STA. 19+65	4100	25%	100%	3075	3985	910
STA. 9+00 TO STA. 12+00	110	25%	100%	83	490	407
CHANNEL EXCAVATION	870	25%	70%	457		-457
ENTRANCES					455	455
TOTAL	4285			3671	6005	2334
USE:	4285				6005	2335

* AVAILABLE EXCAVATION = EXC. x (1-SHRINKAGE FACTOR) x % USED

SHEET TITLE		PROJECT NO.	
TYPICAL CROSS SECTIONS		06079	
PROJECT		SCALE	
SECTION 06-00169-01-BR		3/30/11	
COUNTY HIGHWAY 35		DRAWN BY	
LIVINGSTON COUNTY		MRL	
STATION 10+30		CHECKED BY	
		MCB	
DRAWING NO.		3	
		Design Firm License No. 194-002703 755 South Grand Ave. W. Springfield, IL 62704	
		OF 25 SHEETS	