

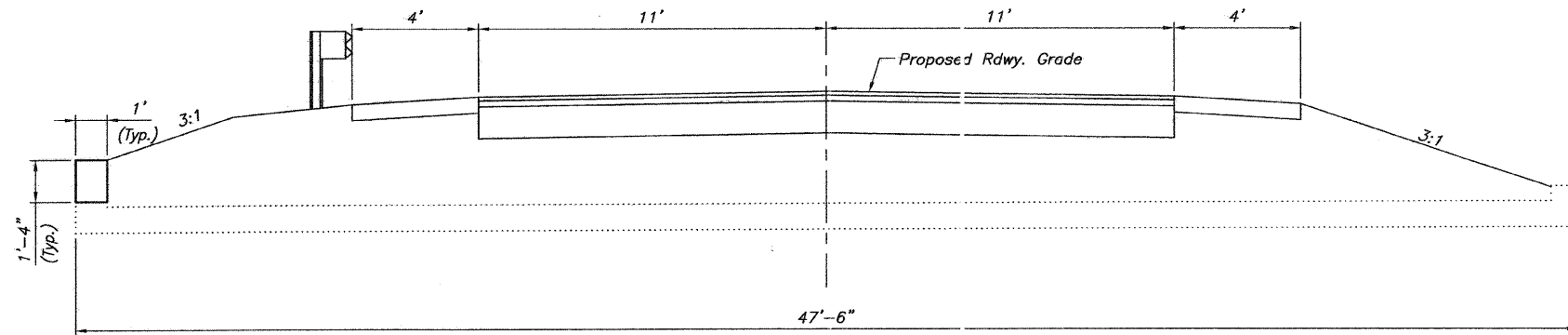
BAR h₂(E)*

*h₂(E) bars shall be bent in the field to match the existing wingwall slope.

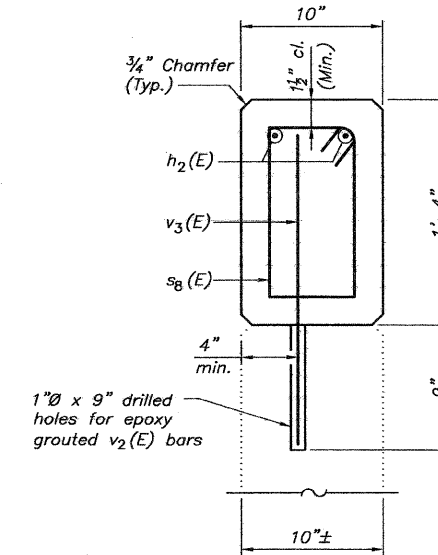
NOTES

Epoxy Grout v(E) bars into drilled 1"Ø x 9" holes in headwall. The epoxy grout and method of application shall be in accordance with Section 584 of the Standard Specifications and approved by the Engineer. The cost of drilling and epoxy grouting the v(E) bars shall be included in Reinforcement Bars, Epoxy Coated. Reinforcement bars shall conform to the requirements ASTM A706 Grade 60 (IL Modified). See special provisions. All reinforcement bars shall be epoxy coated. Plan dimensions and details relative to existing structure have been taken from existing plans and are subject to nominal construction variations. It shall be the Contractor's responsibility to verify such dimensions and details in the field and make necessary approved adjustments prior to construction or ordering of materials. Such variations shall not be cause for additional compensation or a change in the scope of the work, however, the Contractor will be paid for the quantity actually furnished at the unit price bid for the work.

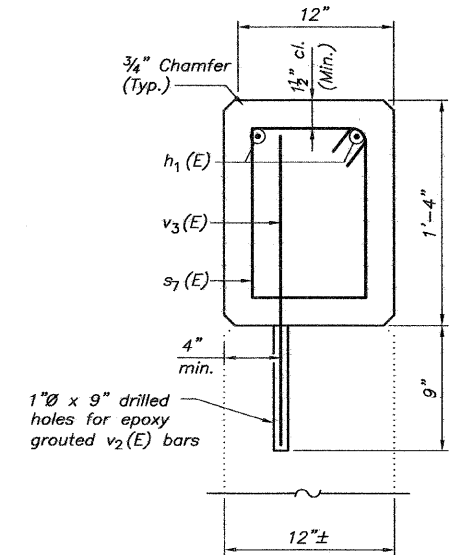
ELEVATION



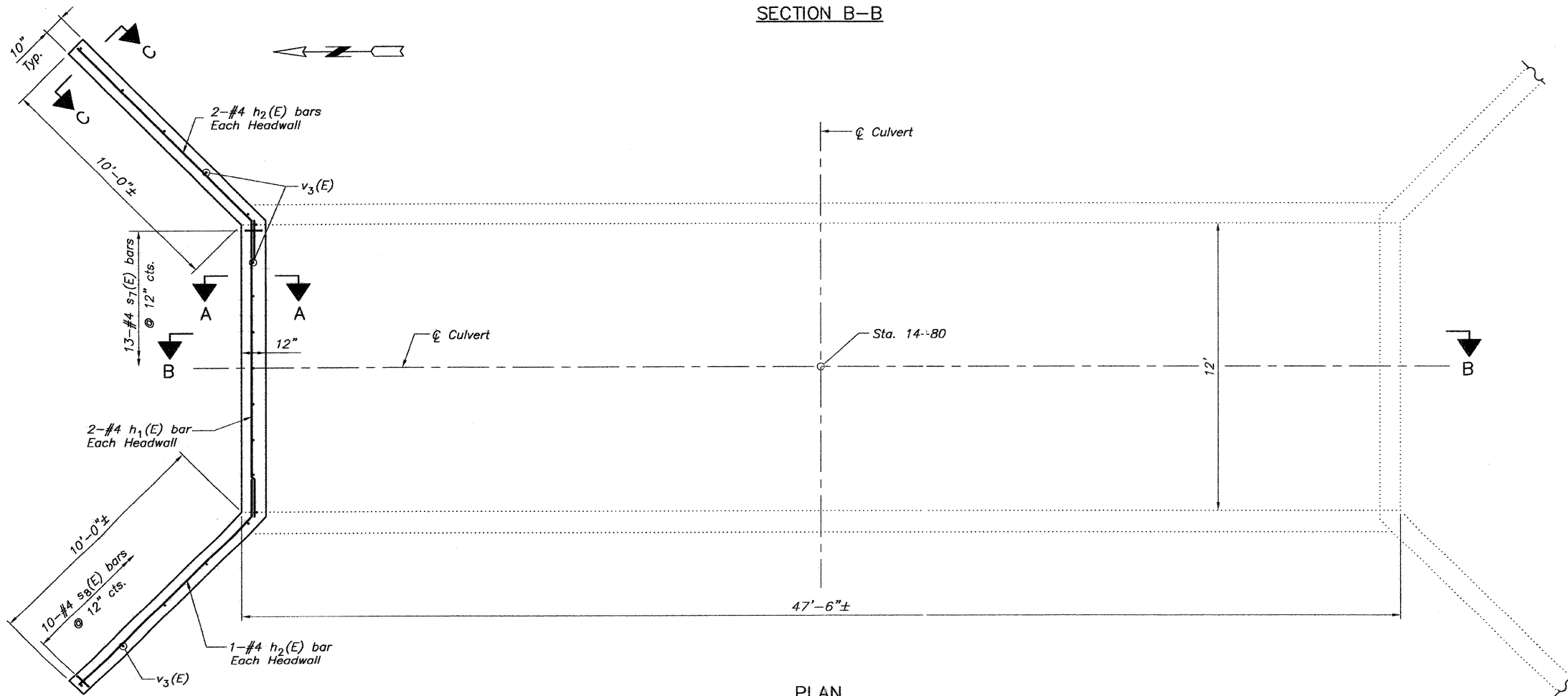
SECTION B-B



SECTION C-C



SECTION A-A



PLAN

BILL OF MATERIAL

Bar	No.	Size	Length	Shape
h ₁ (E)	2	#4	12'-6"	—
h ₂ (E)	4	#4	12'-0"	—
s ₇ (E)	13	#4	4'-1"	□
s ₈ (E)	20	#4	3'-9"	□
v ₃ (E)	35	#5	1'-11"	—
Concrete Structures			Cu. Yd.	1.4
Reinforcement Bars, Epoxy Coated			Cu. Yds.	205

SHEET TITLE
CULVERT DETAILS

PROJECT
SECTION 06-00169-01-BR
COUNTY HIGHWAY 35
LIVINGSTON COUNTY
STATION 14+80

PROJECT NO.
06079

SCALE
AS SHOWN

DATE
3/29/11

DRAWN BY
MML

CHECKED BY
MML

DRAWING NO.
7

Coombe-Bloxdorf P.C.
-CIVIL ENGINEERS-
-STRUCTURAL ENGINEERS-
-LAND SURVEYORS-
Phone: 217/544-8477
Design Firm License No. 184-002703
755 South Grand Ave. W. Springfield, IL 62704

OF 25 SHTS