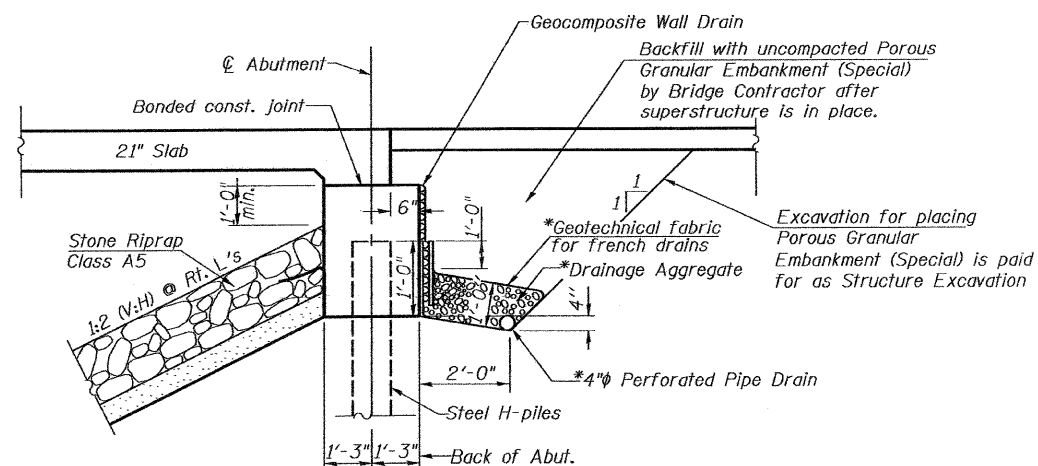


GENERAL NOTES

Reinforcement bars shall conform to the requirements of ASTM A 706 Gr 60. See Special Provisions.
 Reinforcement bars designated (E) shall be epoxy coated.
 Layout of slope protection system may be varied to suit ground conditions in the field as directed by the Engineer.
 The Contractor shall make allowance for the deflection of forms, shrinkage and settlement of falsework, in addition to allowance for dead load deflection. Forms for deck slab shall be removed prior to placement of bridge approach slab.
 Excavation behind existing abutment walls shall be performed to balance front and back soil pressure before removing the existing superstructure.

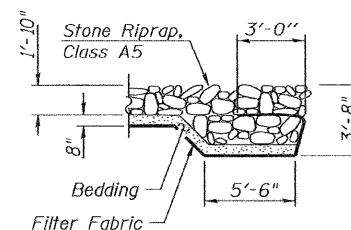
TOTAL BILL OF MATERIAL

ITEM	UNIT	SUPER	SUB	TOTAL
Channel Excavation	Cu. Yd.		870	870
Porous Granular Embankment (Special)	Cu. Yd.		85	85
Stone Riprap Class A5	Sq. Yd.		4601	4601
Filter Fabric	Sq. Yd.		4601	4601
Removal of Existing Structures	Each	1		1
Structure Excavation	Cu. Yd.		188	188
Concrete Structures	Cu. Yd.		52.3	52.3
Concrete Superstructure	Cu. Yd.	260.6		260.6
Bridge Deck Grooving	Sq. Yd.	396		396
Concrete Encasement	Cu. Yd.		26.4	26.4
Protective Coat	Sq. Yd.	424		424
Reinforcement Bars, Epoxy Coated	Pound	51,590	9110	60,700
Steel Railing, Type SM	Foot	255		255
Furnishing Steel Piles, HP 12x53	Foot		979	979
Driving Piles	Foot		979	979
Test Pile Steel HP 12x53	Each		2	2
Name Plates	Each	1		1
Geocomposite Wall Drain	Sq. Yd.		36	36
Pipe Underdrain for Structures, 4"	Foot		144	144
Underwater Structure Excavation Protection Location 1	Each		1	1
Underwater Structure Excavation Protection Location 2	Each		1	1




All drainage system components shall extend to 2'-0" from the end of each wingwall except on outlet pipe shall extend until intersecting with the side slopes. The pipes shall drain into concrete headwalls. (See Article 601.05 of the Standard Specifications and Highway Standard 601101).

SECTION THRU ABUTMENT
(Horiz. Dimensions at Right Angles)



SECTION A-A

SHEET TITLE		GENERAL DATA	
PROJECT	C.H. 35 OVER DIAMOND CREEK FAS RTE.267 SEC. 06-00169-01-BR LIVINGSTON COUNTY STATION 10+30.00 STRUCTURE NUMBER 053-3456	PROJECT NO.	06079
DATE	3/29/11	DESIGN BY	CME/MCB
DRAWN BY	TFG/CFC	CHECKED BY	CME/MCB
DRAWING NO.			
 Coombe-Bloxdorf P.C. - CIVIL ENGINEERS - - STRUCTURAL ENGINEERS - - LAND SURVEYORS - Design Firm License No. 184-002703			2
			OF 12 SHTS