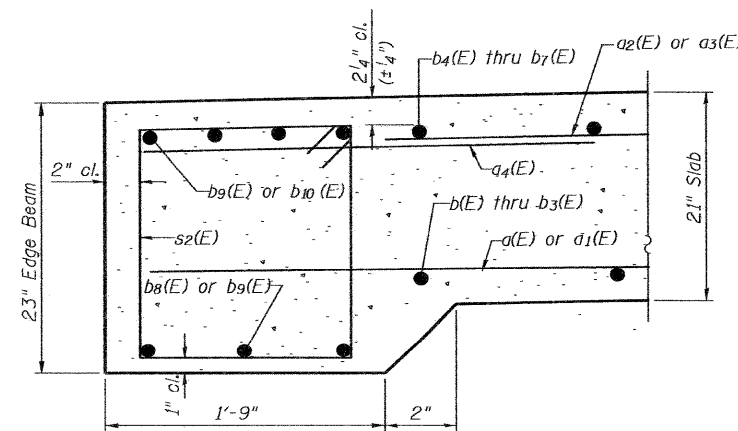
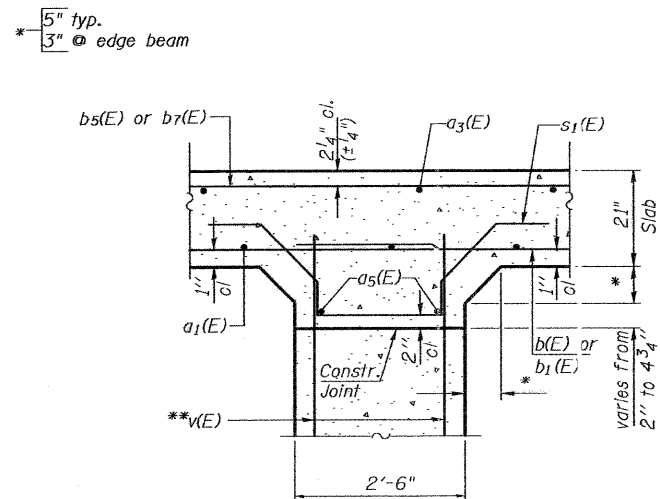
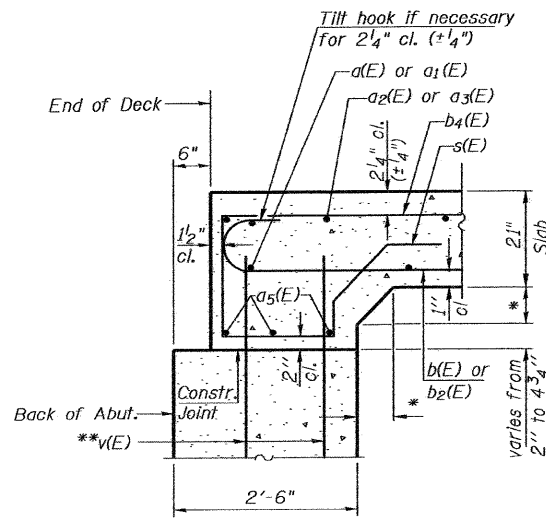


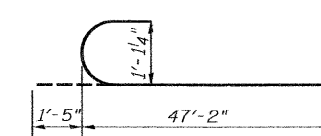
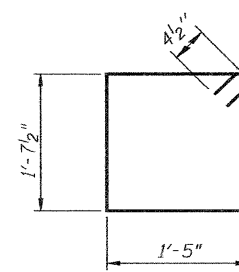
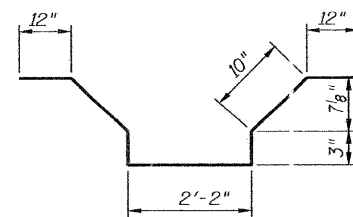
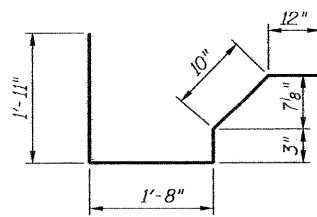
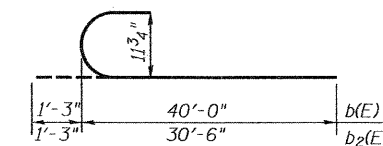
**SUPERSTRUCTURE
BILL OF MATERIAL**

Bar	No.	Size	Length	Shape
a(E)	27	#5	30'-8"	—
a1(E)	98	#5	29'-8"	—
a2(E)	16	#5	27'-6"	—
a3(E)	64	#5	26'-6"	—
a4(E)	154	#6	6'-6"	—
a5(E)	10	#5	42'-1"	—
b(E)	48	#9	41'-3"	C
b1(E)	24	#9	49'-2"	—
b2(E)	46	#9	31'-9"	C
b3(E)	23	#9	31'-0"	—
b4(E)	60	#6	22'-10"	—
b5(E)	60	#9	37'-9"	—
b6(E)	30	#6	16'-6"	—
b7(E)	58	#9	20'-0"	—
b8(E)	12	#10	48'-7"	C
b9(E)	22	#10	49'-3"	—
b10(E)	16	#10	28'-3"	—
s(E)	84	#4	5'-8"	L
s1(E)	84	#4	6'-4"	L
s2(E)	252	#4	6'-10"	□
Reinforcement Bars, Epoxy Coated			Pound	51,590
Concrete Superstructure			Cu. Yds.	260.6

See Sheet 7 of 12 for Railing Details



**v(E) bars are billed with abutments and piers. See Sheets 8 and 9 of 12.



PLOT DATE = 3/20/2011
 PLOT SCALE = 1/8" = 1'-0"
 USER NAME = CFC

SHEET TITLE SUPERSTRUCTURE DETAILS	
PROJECT C.H. 35 OVER DIAMOND CREEK FAS RTE. 267 SEC. 06-00169-01-BR LIVINGSTON COUNTY STATION 10+30.00 STRUCTURE NUMBER 053-3456	PROJECT NO. 06079 DATE 3/29/11 DESIGN BY CME/MCB DRAWN BY TFG/CFC CHECKED BY CME/MCB DRAWING NO.
 Coombe-Bloxdorf P.C. - CIVIL ENGINEERS - - STRUCTURAL ENGINEERS - - LAND SURVEYORS - Design Firm License No. 184-002703	
6	OF 12 SHTS