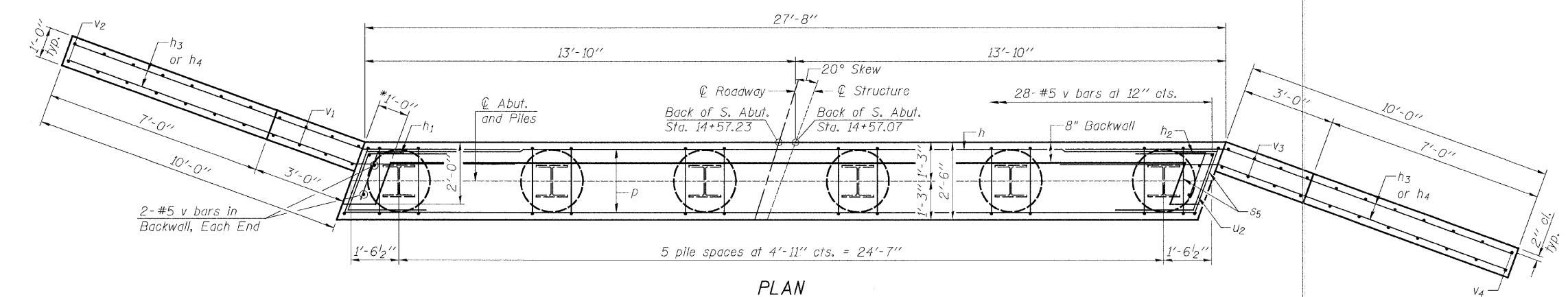


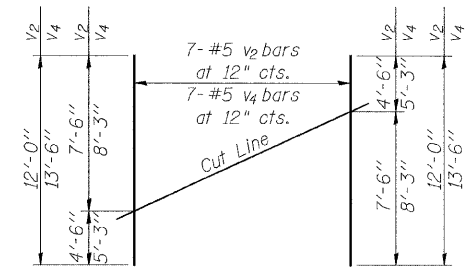
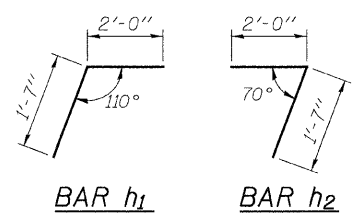
BILL OF MATERIAL

Bar	No.	Size	Length	Shape
h	3	#5	27'-4"	—
h ₁	3	#5	3'-7"	┌
h ₂	3	#5	3'-7"	└
h ₃	34	#7	13'-7"	—
h ₄	12	#4	10'-9"	—
p	14	#6	27'-4"	—
s ₅	58	#7	9'-10"	┌
u ₂	14	#6	7'-2"	└
v	32	#5	4'-10"	—
v ₁	8	#5	8'-0"	—
v ₂	7	#5	12'-0"	—
v ₃	8	#5	8'-10"	—
v ₄	7	#5	13'-6"	—
Concrete Structures		Cu. Yd.	22.9	
Concrete Encasement		Cu. Yd.	2.1	
Reinforcement Bars		Pound	2,740	
Furnishing Steel				
Piles HP 12x63		Foot	120	
Driving Piles		Foot	120	
Test Pile Steel		Each	1	
HP 12x63				
** Porous Granular Embankment, Special		Ton	50	

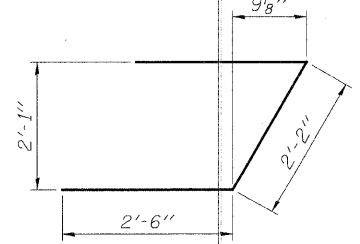
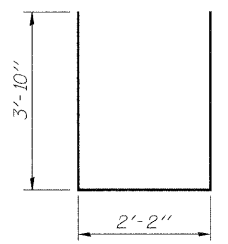
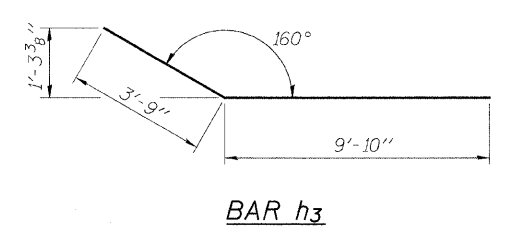


PILE DATA

Type: Steel HP 12X63
 Nominal Required Bearing: 271 k
 Factored Resistance Available: 149 k
 Est. Length: 24'
 No. Production Piles: 5
 No. Test Piles: 1 @ S.E. corner



Order v₂ & v₄ full length. Cut as shown and use remainder of bars in opposite face.



NOTES:

Hatched portion of wingwalls to be poured with the backwall after the deck beams have been installed and grout has cured for a minimum of 24 hours.
 All exposed edges shall have standard 3/4" chamfers, except as noted.
 Space reinforcement in cap to miss dowel rods.
 After beams have been erected, holes shall be drilled into substructure and anchor dowels placed. Dowel holes shall be filled with non-shrink grout to top of beam and allowed to cure a min. of 24 hours prior to grouting the shear keys.
 For HP Pile Details see Structural Sheet 8 of 9.
 * May vary due to overrun of beams.
 ** For Drainage Details, see Structural Sheet 2 of 9.

FILE NAME = S:\PROJECTS\2010\1285D10_Bureau\Co-TR240\DESIGN\STRUCT\STRUCTURE Drawings\1285D10\SouthAbutment.dgn

USER NAME =	DESIGNED - B.S.K.	REVISED -
PLOT SCALE =	CHECKED - B.K.C.	REVISED -
PLOT DATE =	DRAWN - F.D.L.	REVISED -
	CHECKED - M.A.C.	REVISED -

BUREAU COUNTY
T.R. 240 OVER PLOW HOLLOW CREEK
STATION 15 + 00

SOUTH ABUTMENT
STRUCTURE NO. 006-4012
 STRUCTURAL SHEET NO. 5 OF 9 SHEETS

TWP. RTE.	SECTION	COUNTY	TOTAL SHEETS	SHEET NO.
240	10-01121-00-BR	BUREAU	23	14
WHA# 1285D10		CONTRACT NO. 87483		
ILLINOIS FED. AID PROJECT BROS-0011(075)				