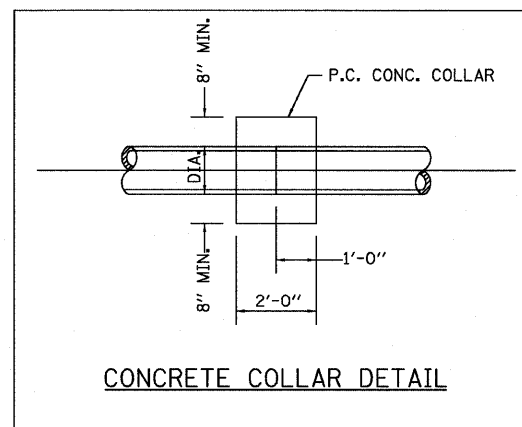
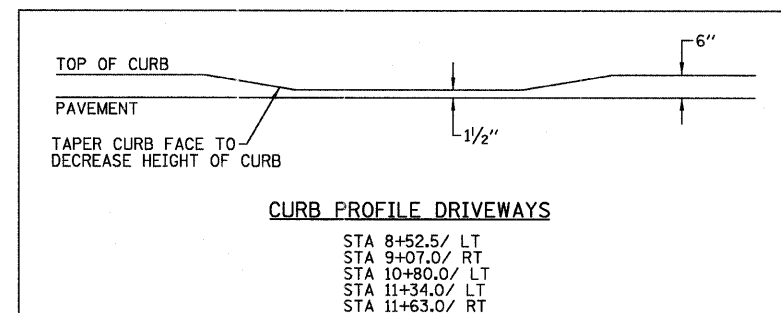
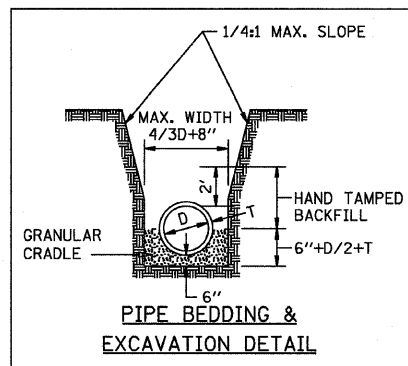


* PROPOSED WIDTH VARIES BASED ON PROPERTY LINES AND EXISTING CONDITIONS. SEE SCHEDULES AND PLAN SHEETS.

STATION	TYPE	A	B
8+52.5, LT	PE	15.0'	25.0'
9+07.0, RT	PE	22.5'	32.5'
10+80.0, LT	PE	12.0'	16.0'
11+34.0, LT	PE	18.0'	28.0'
11+63.0, RT	PE	14.0'	24.0'



#FILE# 81TME#
 #DATE# 02/25/11
 P:\townofnormal\2008\0080681 Broadway Ave Br/dgn

DESIGNED -	BAB/JCZ	REVISED -	
DRAWN -	JTC/JWK	REVISED -	
CHECKED -	MSW	REVISED -	
DATE -	02/25/11	REVISED -	

TOWN OF NORMAL

MISCELLANEOUS DETAILS

BROADWAY AVENUE OVER SUGAR CREEK
SECTION 07-00233-00-BR
MCLEAN, COUNTY

F.A.J.	SECTION	COUNTY	TOTAL SHEETS	SHEET NO.
	07-00233-00-BR	MCLEAN	40	12
	S.N. 057-7841		CONTRACT NO. 91422	
FED. ROAD DIST. NO. 5 ILLINOIS FED. AID PROJECT				