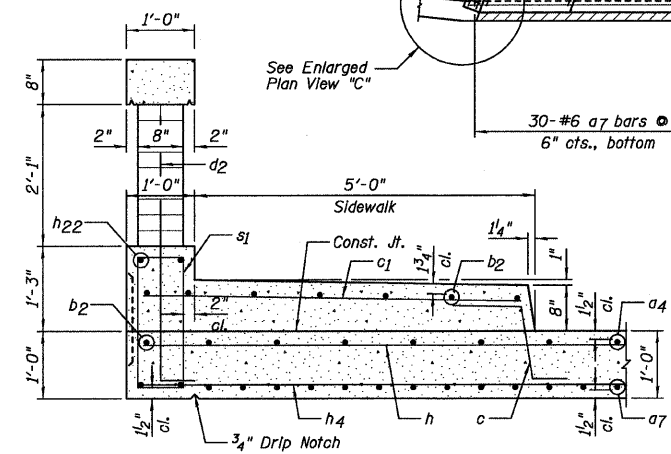
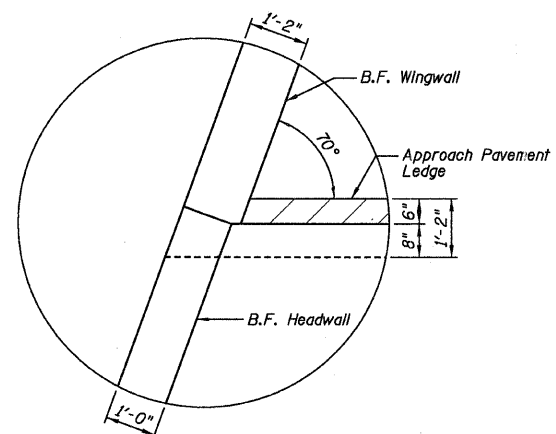


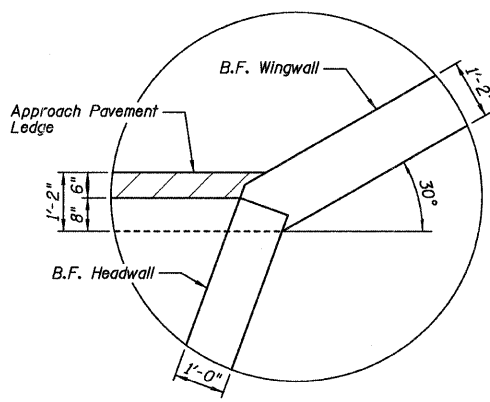
TOP SLAB PLAN



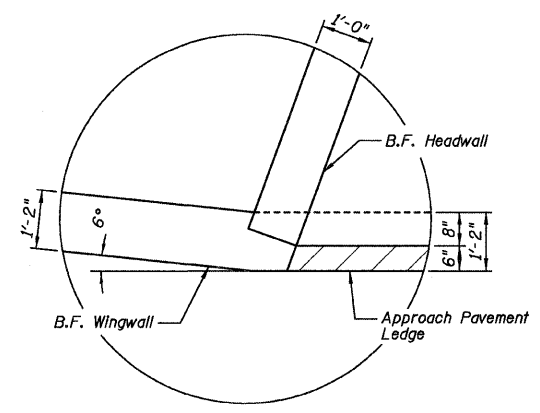
SECTION J-J
(Parapet details on sheet C17)



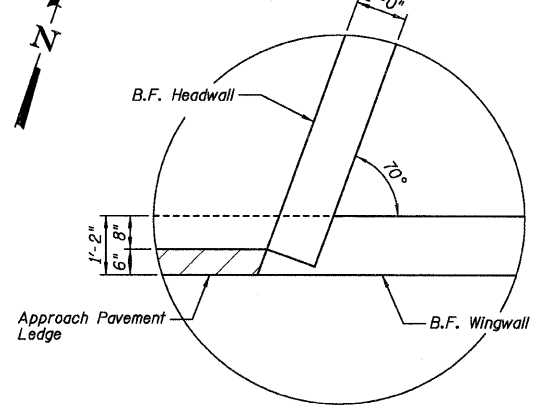
ENLARGED PLAN VIEW "A"



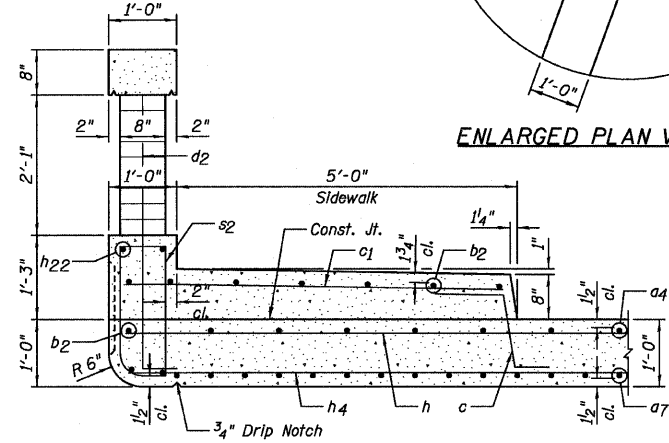
ENLARGED PLAN VIEW "B"



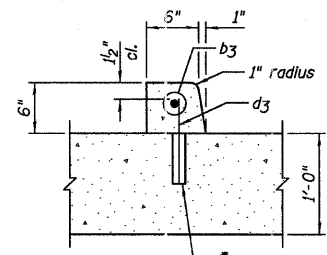
ENLARGED PLAN VIEW "C"



ENLARGED PLAN VIEW "D"



SECTION K-K
(Parapet details on sheet C17)



SECTION L-L

*Core and set #5 d3 bar according to Article 509.06 of the Standard Specifications. Cored holes shall be roughened or scored per manufacturer's recommendations. Maximum depth of each hole shall not exceed 6".

NOTE:

Order a4, a5 & a7 bars full length, cut according to Bar Cutting Diagram on Sheet C2. Use remainder in opposite side.

DESIGNED JCZ
CHECKED MSW
DRAWN JWK
CHECKED MSW

DATE 02/25/11

TOP SLAB REINFORCEMENT
STRUCTURE NO. 057-7841

SHEET NO. C9	F.A.P. RTE.	SECTION	COUNTY	TOTAL SHEETS	SHEET NO.
	19 SHEETS	07-00233-00-BR	MCLEAN	40	24
		SN 057-7841	CONTRACT NO. 91422		
FED. ROAD DIST. NO. 5 ILLINOIS FED. AID PROJECT					