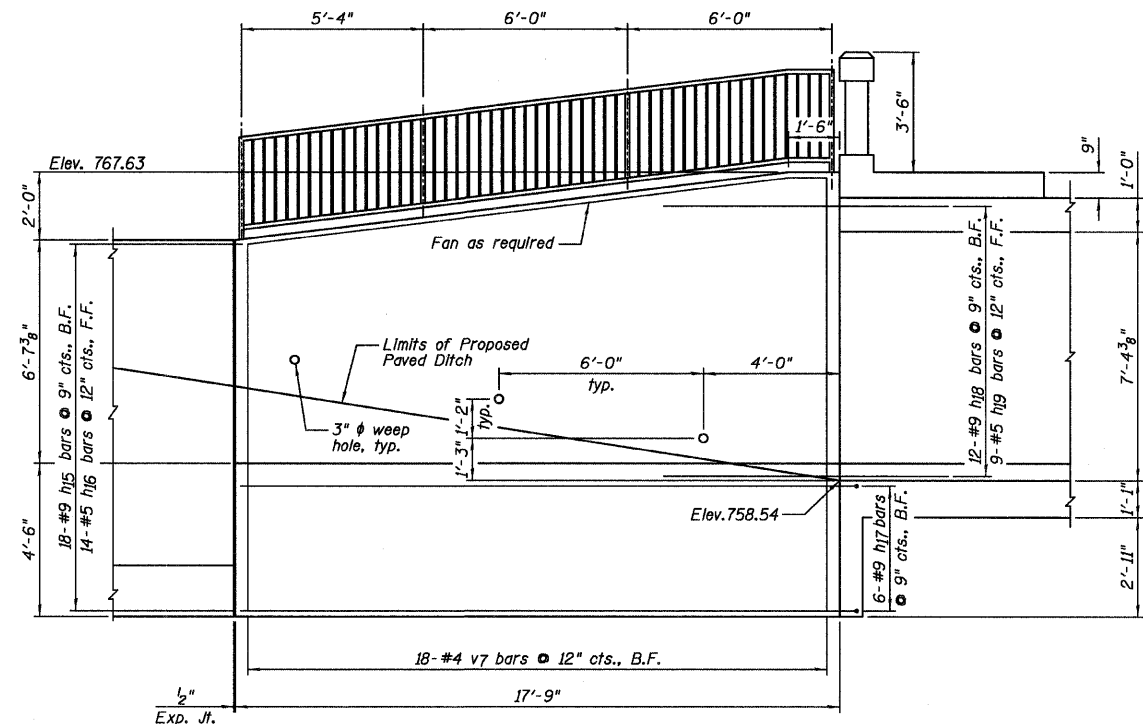
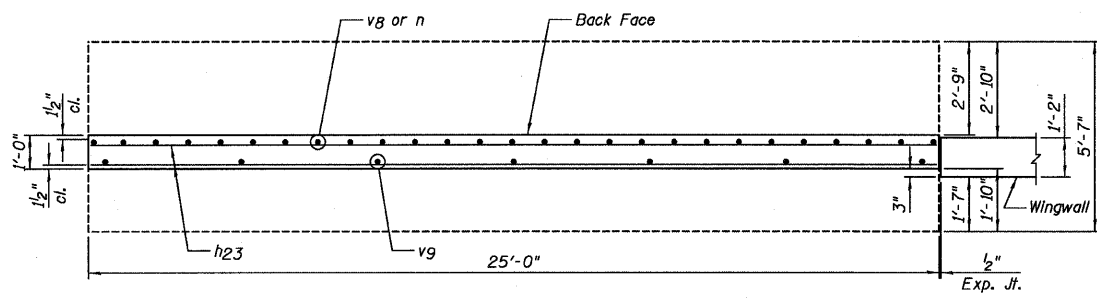


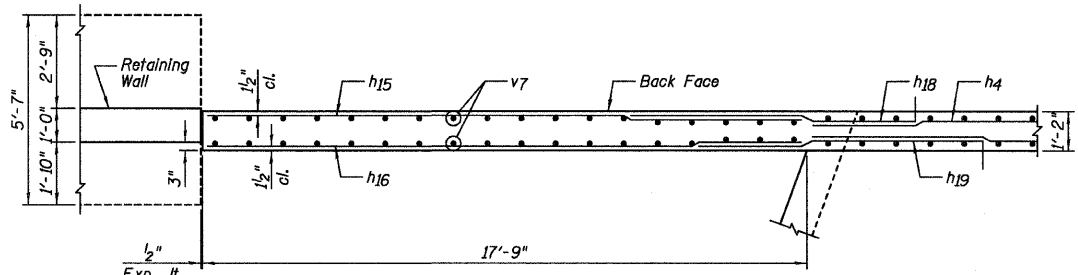
SOUTHEAST RETAINING WALL ELEVATION



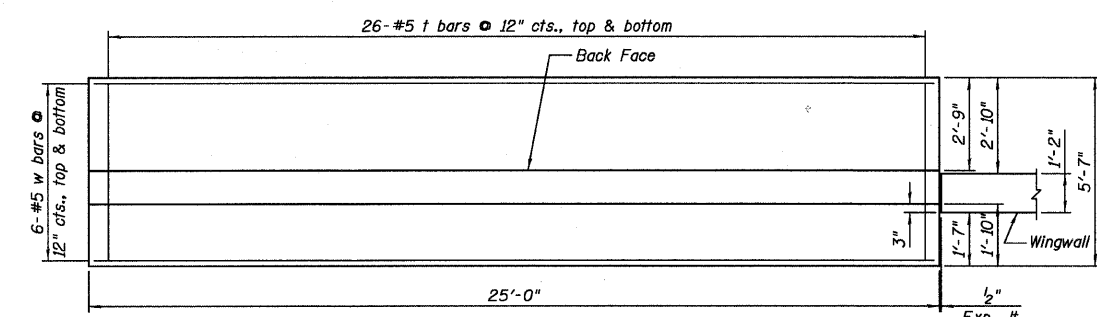
SOUTHEAST WINGWALL ELEVATION



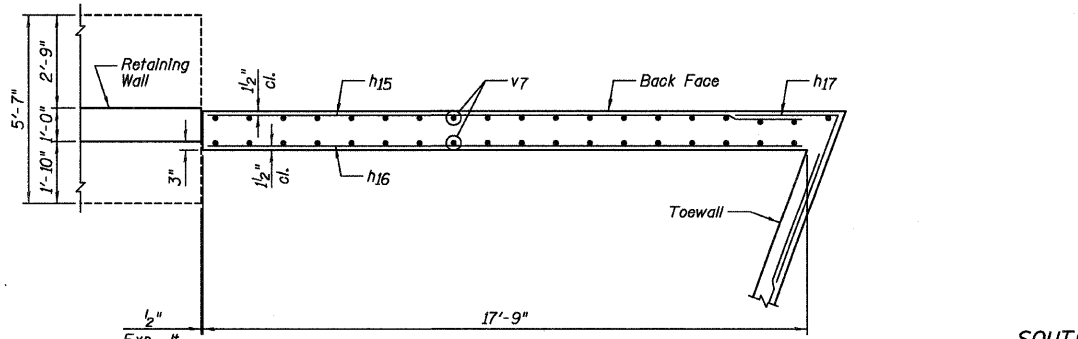
UPPER SOUTHEAST RETAINING WALL PLAN



UPPER SOUTHEAST WINGWALL PLAN



LOWER SOUTHEAST RETAINING WALL PLAN



LOWER SOUTHEAST WINGWALL PLAN

SOUTHEAST WINGWALL AND RETAINING WALL STRUCTURE NO. 057-7841

DESIGNED	JCZ
CHECKED	MSW
DRAWN	JWK
CHECKED	MSW
DATE	02/25/11

- NOTES:**
- 1.) E.F. denotes Each Face, F.F. denotes Front Face and B.F. denotes Back Face.
 - 2.) Order v7 bars full length, cut according to Bar Cutting Diagram on Sheet C16. Use remainder of bars in front face.
 - 3.) See Sheet C16 for Bar Bending Diagrams, Bill of Material and Joint Detail.
 - 4.) For bar lap lengths, see the General Notes on Sheet C2.
 - 5.) For Southeast Retaining Wall, calculated maximum soil pressure = 1,800 psf.

SHEET NO. C14	F.A.P. RTE.	SECTION	COUNTY	TOTAL SHEETS	SHEET NO.
	19 SHEETS	07-00233-00-BR	MCLEAN	40	29
		SN 057-7841	CONTRACT NO. 91422		
		FED. ROAD DIST. NO. 5	ILLINOIS	FED. AID PROJECT	