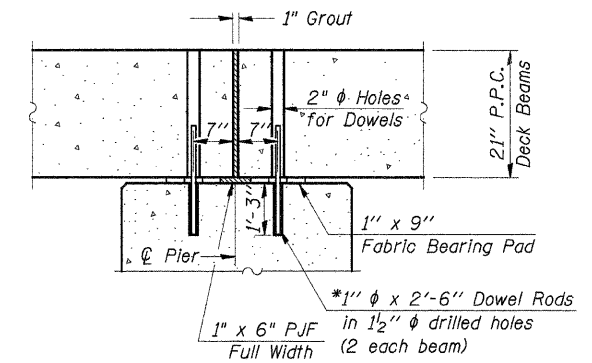
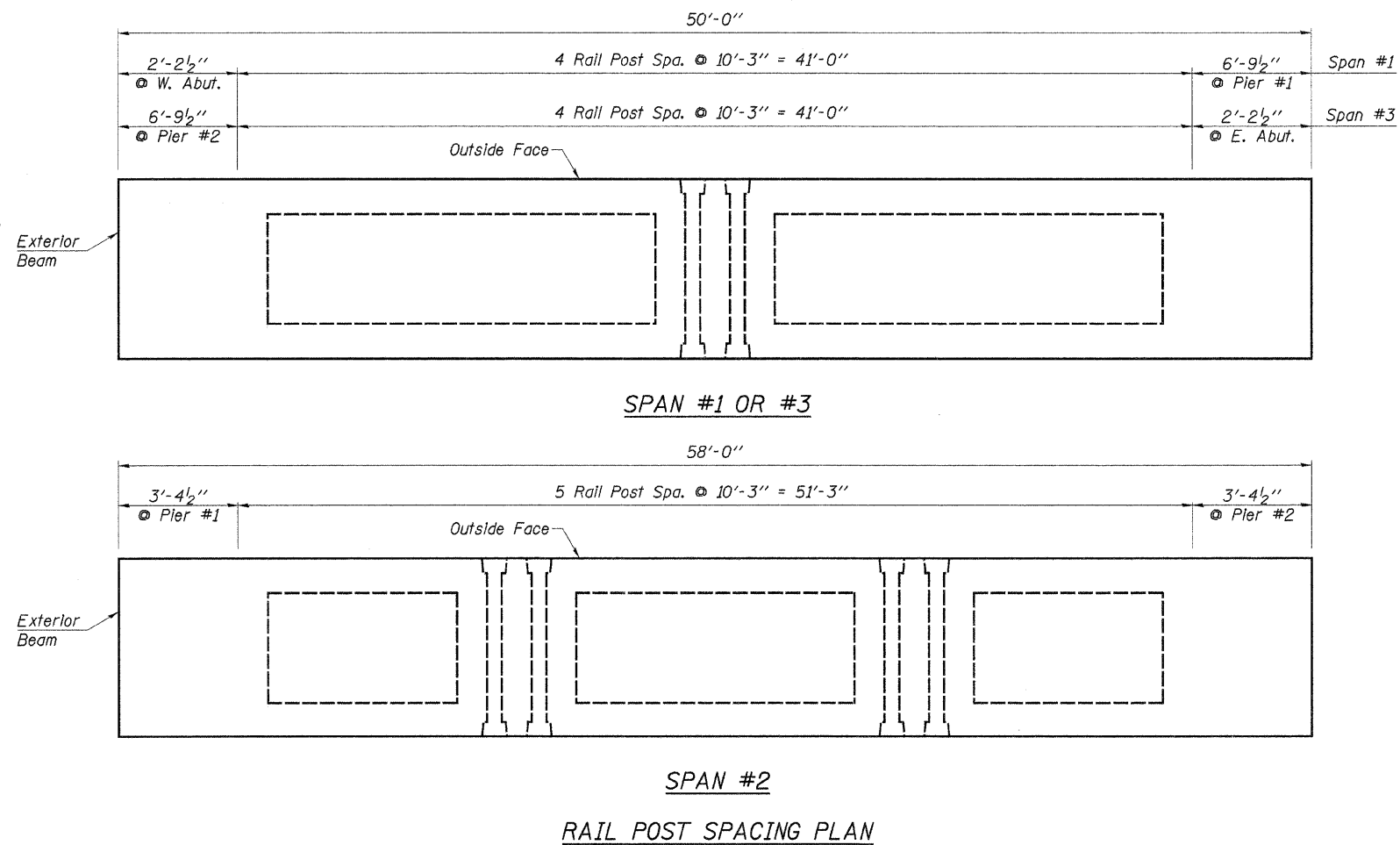


SEC. THRU ABUT.

* Note: After beams are in place, 1/2" holes shall be drilled into the Substructure, and the dowel rods grouted in place and allowed to cure (Min. 24 Hrs.) prior to grouting shear key.



SEC. AT PIER

DESIGNED -	A.L.S.
CHECKED -	A.R.K.
DRAWN -	S.A.P.
CHECKED -	A.L.S. & A.R.K.

PDB-2136-0S 03-12-10

FILE: 09-455_SUPER.DGN DATE: 11/08/10

FEHR-GRAHAM & ASSOCIATES, LLC
ENGINEERING AND SCIENCE CONSULTANTS
FREEPORT, IL ROCKFORD, IL ROCHELLE, IL MONROE, WI SPRINGFIELD, IL
4440 ASH GROVE SPRINGFIELD, IL 62711 (217)-793-8600 www.fehr-graham.com

TWP. RTE.	SECTION	COUNTY	TOTAL SHEETS	SHEET NO.
56	09-05123-01-BR	DOUGLAS	19	5
GARRETT ROAD DIST. ILLINOIS			CONTRACT NO. 91433	

#09-455

SUPERSTRUCTURE
S.N. 021-4307