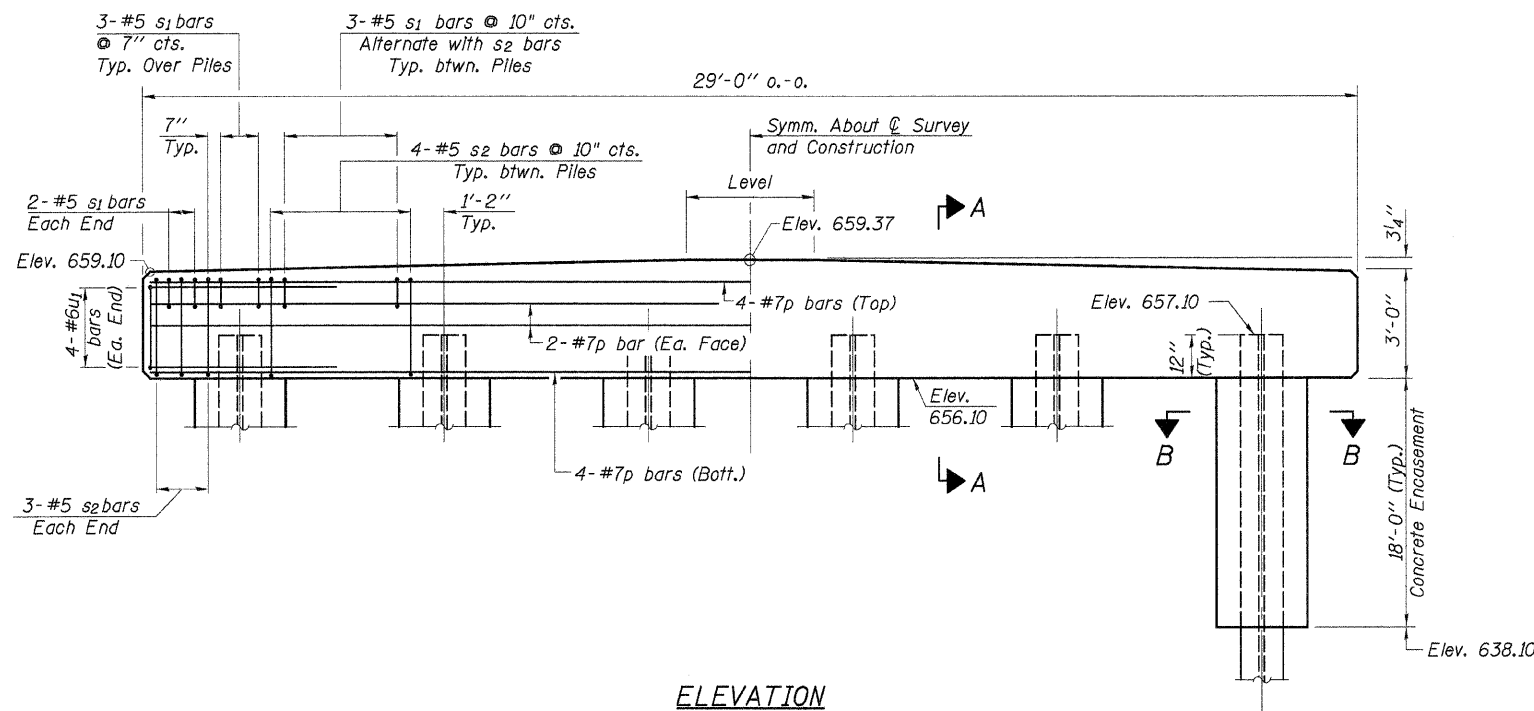
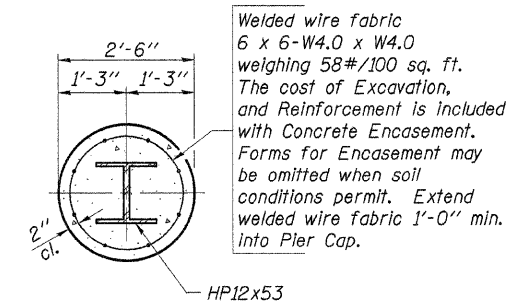
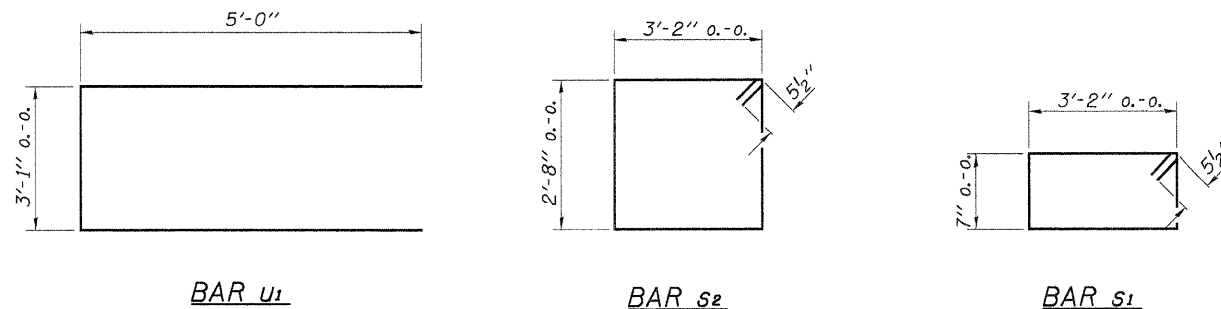


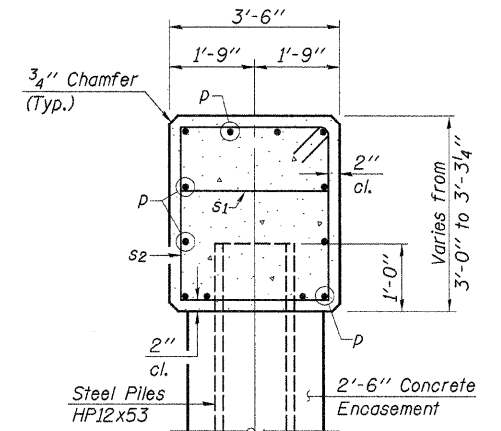
PLAN



ELEVATION



SECTION B-B  
PILE ENCASEMENT DETAIL



SECTION A-A

PILE DATA

Type & Size	Steel HP12x53
No. Req'd.	*12
Nominal Required Bearing	400 kips
Factored Resistance Available	184 kips
Estimated Length	49 ft./pile - Pier 1 39 ft./pile - Pier 2

\*Includes 1 Test Pile to be driven in a permanent location at each pier.  
The test piles shall be driven to 110 percent of the Nominal Required Bearing indicated above.  
Steel Piles shall be according to AASHTO M270 Grade 50.

BILL OF MATERIAL - 2 PIERS

BAR	NO.	SIZE	LENGTH	SHAPE
P	24	#7	28'-8"	—
s <sub>1</sub>	74	#5	8'-5"	□
s <sub>2</sub>	52	#5	12'-7"	□
u <sub>1</sub>	16	#6	13'-1"	—
Concrete Structures			Cu. Yd.	23.7
Reinforcement Bars			Pound	3,050
Steel Piles HP12x53			Foot	440
Driving Piles			Foot	440
Test Pile Steel HP12x53			Each	2
Concrete Encasement			Cu. Yd.	39.3

See Sheet 13 for Pile Details.

DESIGNED	A.L.S.
CHECKED	A.R.K.
DRAWN	S.A.P.
CHECKED	A.L.S. & A.R.K.

PIERS  
S.N. 021-4307

<b>FEHR-GRAHAM &amp; ASSOCIATES, LLC</b> ENGINEERING AND SCIENCE CONSULTANTS FREEPORT, IL ROCKFORD, IL ROCHELLE, IL MONROE, WI SPRINGFIELD, IL	TWP. RTE.	SECTION	COUNTY	TOTAL SHEETS	SHEET NO.
	56	09-05123-01-BR	DOUGLAS	19	12
4440 ASH GROVE SPRINGFIELD, IL 62711 (217)-793-9800 www.fehr-graham.com			CONTRACT NO. 91433		
GARRETT ROAD DIST. ILLINOIS					