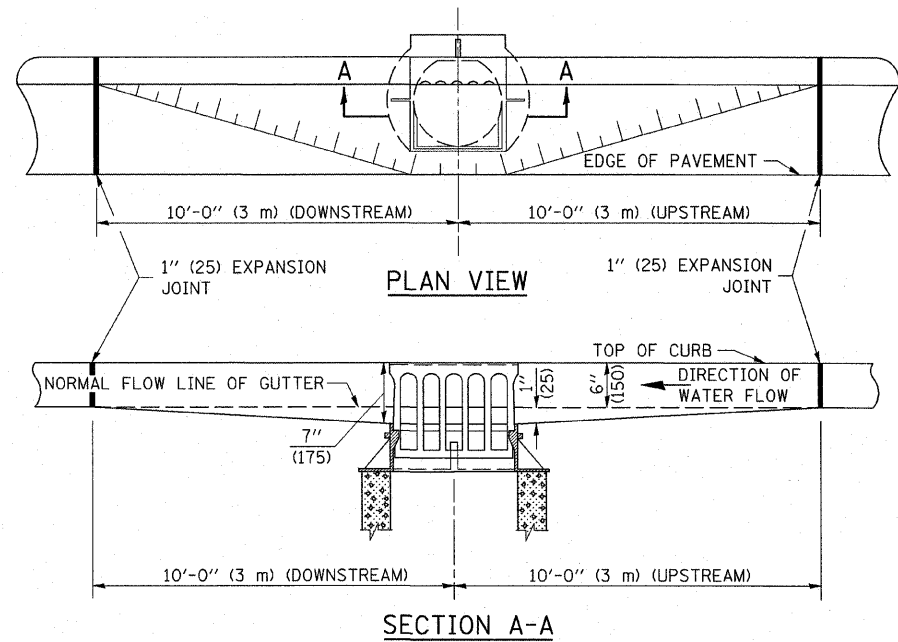
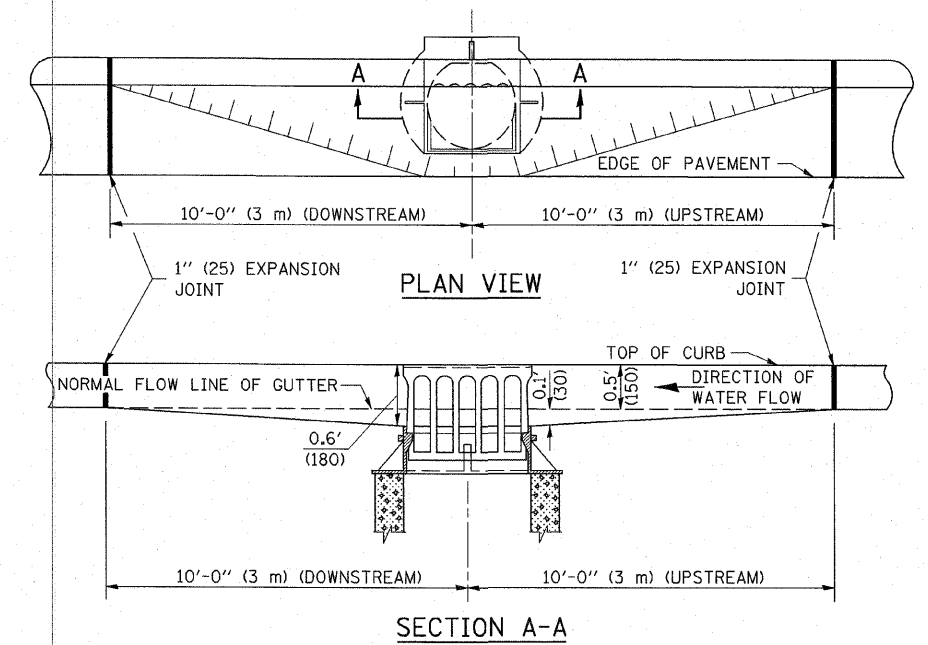


GUTTER DEPRESSION 1" (25mm)



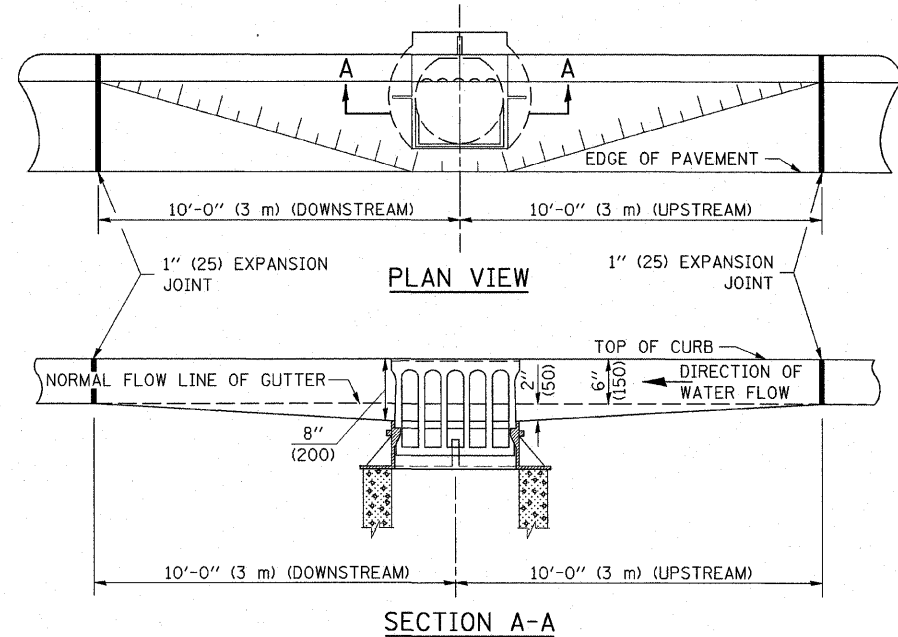
GUTTER DEPRESSION 0.1 FOOT (30mm)



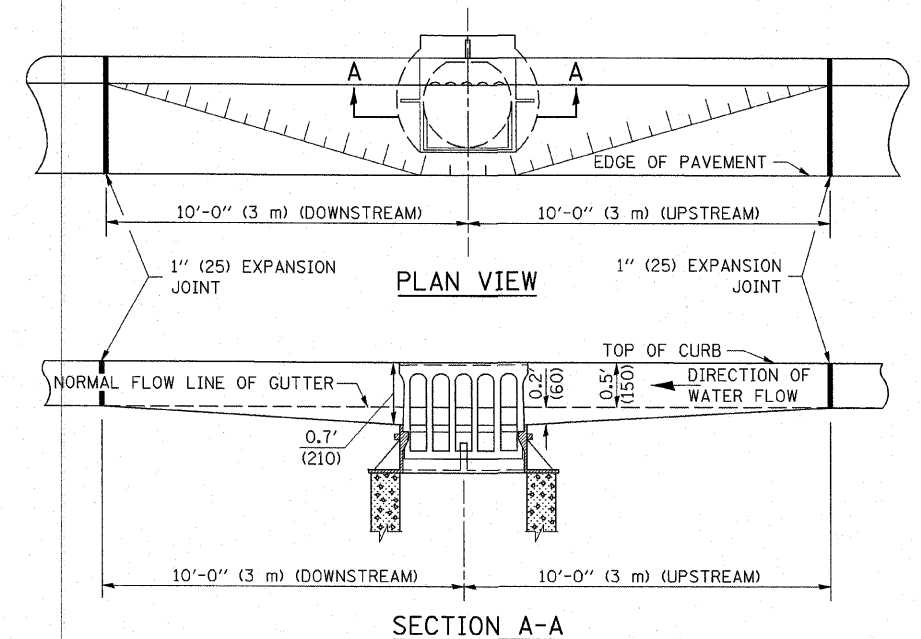
GENERAL NOTES

1. THE TWO EXPANSION JOINTS SHALL BE PLACED AS SHOWN IN STANDARD 606001.
2. THE GUTTER GRADE SHALL BE DEPRESSED AT ALL INLETS, CATCH BASINS AND MANHOLES UNLESS OTHERWISE SPECIFIED IN THE PLANS.
3. THE COST OF THIS WORK SHALL BE INCLUDED IN THE COST OF THE VARIOUS PAY ITEMS OF WORK INVOLVED.

GUTTER DEPRESSION 2" (50mm)



GUTTER DEPRESSION 0.2 FOOT (60mm)



Note: All dimensions are in INCHES (millimeters) unless otherwise shown.

FILE NAME =	USER NAME = HAS	DESIGNED -	REVISED - 11/06
Y:\ESCA\445-02\CADD\HIGHWAY\CVL44502\4502-S-C47-CVL.dgn		DRAWN -	REVISED -
	PLOT SCALE = 18.889 ' / IN.	CHECKED -	REVISED -
	PLOT DATE = 3/2/2011	DATE -	REVISED -

**STATE OF ILLINOIS
DEPARTMENT OF TRANSPORTATION**

GUTTER DEPRESSION AT INLETS, CATCH BASINS AND MANHOLES

SCALE: NONE SHEET NO. 3 OF 4 SHEETS STA. TO STA.

DISTRICT 5 DETAIL NO. 606AAAAA

F.A.U. RTE.	SECTION	COUNTY	TOTAL SHEETS	SHEET NO.
	05-00022-00-PV	PIATT	48	47
FED. ROAD DIST. NO.			ILLINOIS FED. AID PROJECT	
			CONTRACT NO. 91441	

• 7531, 7543, 7536