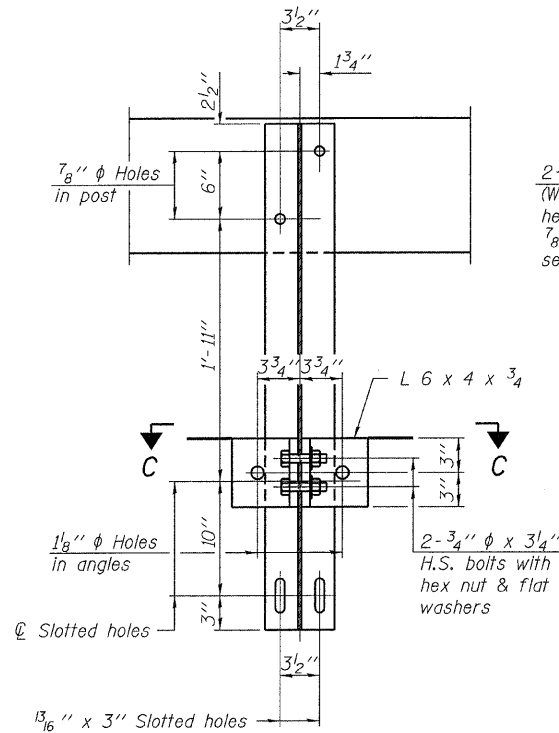
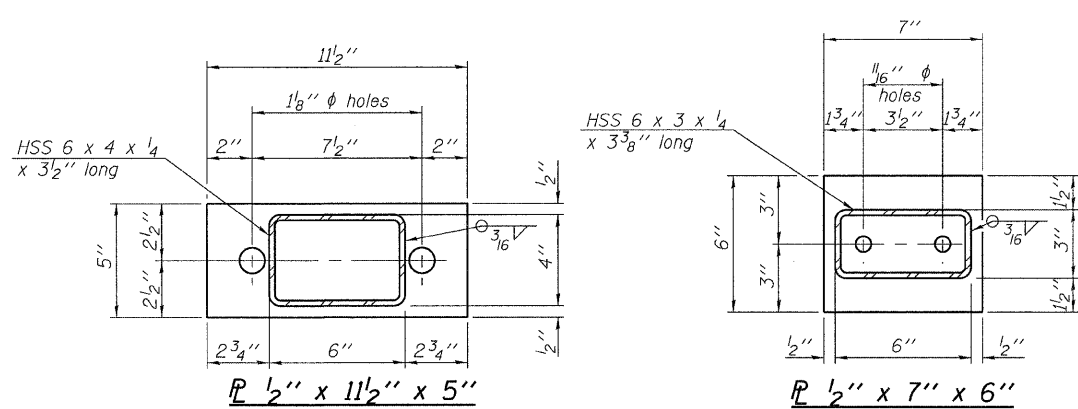
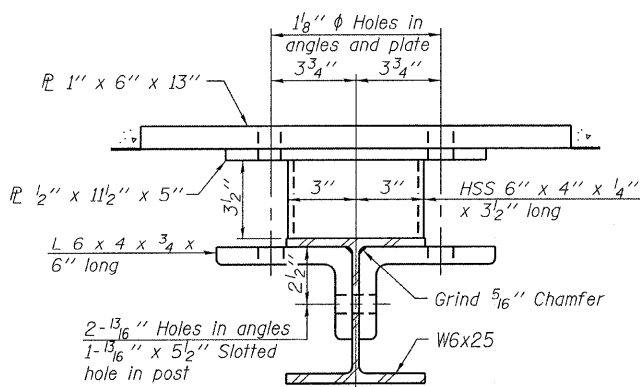


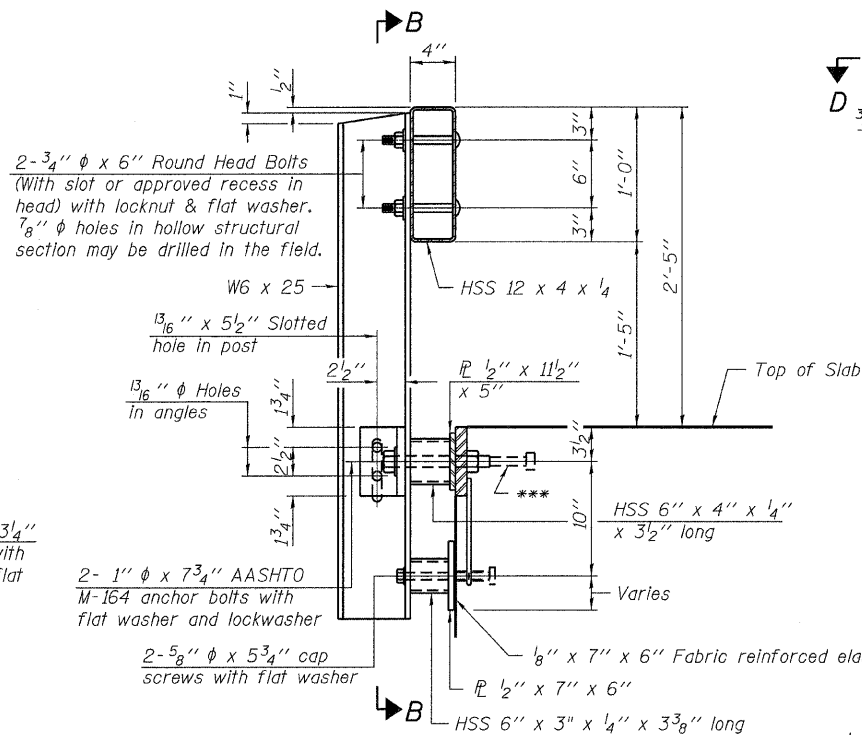
VIEW A-A
ROUND HEAD BOLT



SECTION B-B

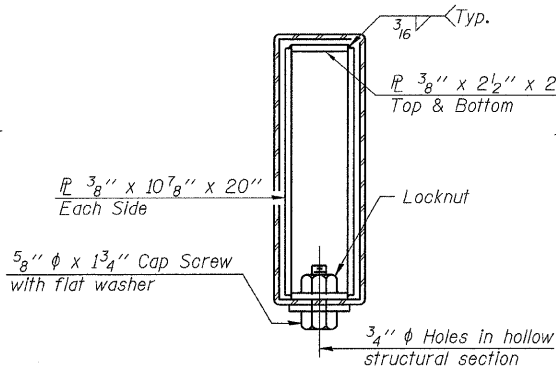


SECTION C-C

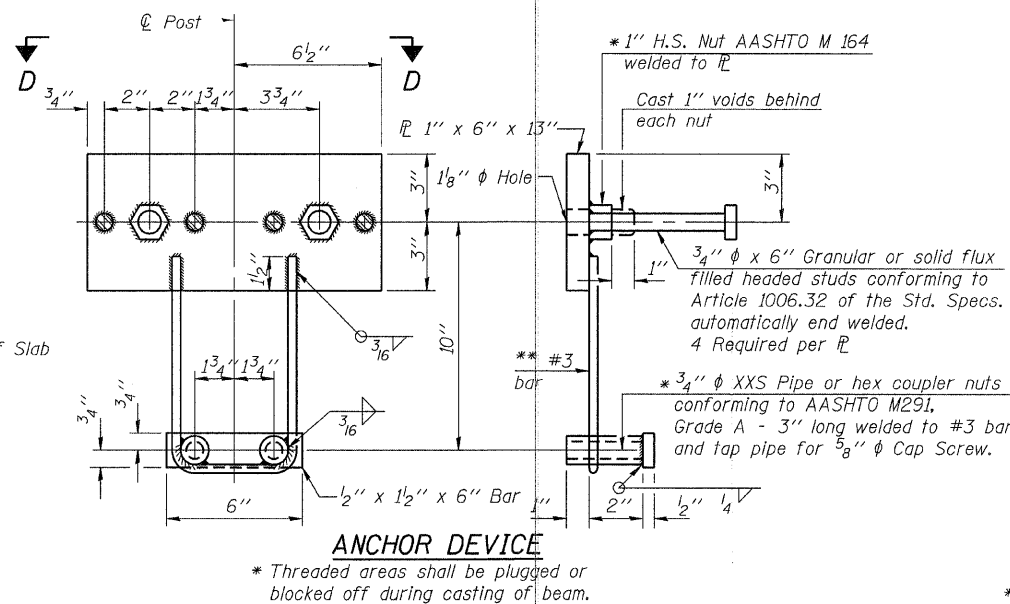


SECTION AT RAILING POST

Reinforcement bars in the top of the slab may be placed with a 1/2 inch minimum clearance in the area of the rail post anchor devices. The studs of the anchor devices shall be placed below the top reinforcement bars and the outermost longitudinal reinforcement bar shall be placed directly above the studs of the rail post anchor device.

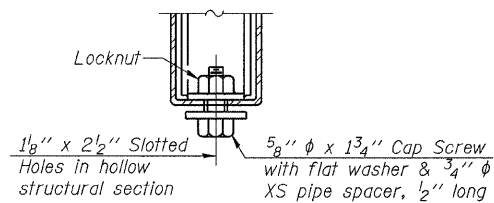


SECTIONS AT RAIL SPLICE

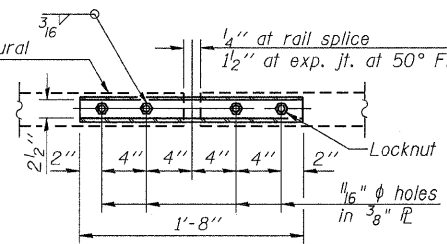


ANCHOR DEVICE

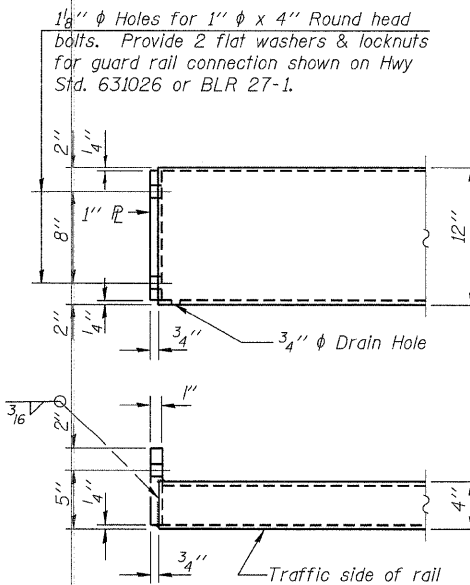
* Threaded areas shall be plugged or blocked off during casting of beam.



RAIL SPLICE CONNECTION
AT EXPANSION JT.

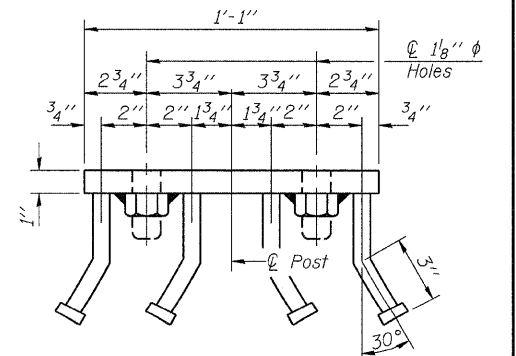


PLAN-BOTT. SPLICE R
TYPICAL



END OF RAIL DETAILS

Notes:
All field drilled holes shall be coated with an approved zinc rich paint before erection.
For multi-span bridges, sufficient 1/4 inch x 6 inch x 1-2 inch galvanized steel shims shall be provided to align rail between adjacent spans. Cost included with Steel Railing, Type S-1.
All steel rail elements shall be galvanized according to Article 509.05 of the Standard Specifications.
*** The studs of the anchor devices shall be placed below the top reinforcement bars and the outermost longitudinal reinforcement bar shall be placed directly above the studs of the rail post anchor device.



VIEW D-D

BILL OF MATERIAL

Item	Unit	Quantity
Steel Railing, Type S-1	Foot	137

R-23A 7-1-10 (10'-9" Maximum Post Spacing)

FILE NAME = 100353-shr-bridge.dgn	USER NAME =	DESIGNED - A.S.L.	REVISED -
HAMPTON, LENZINI AND RENWICK, INC.	PLOT SCALE =	CHECKED - S.W.M.	REVISED -
2005 STEVENSON DRIVE, SUITE 201	PLOT DATE = 3/2/2011	DRAWN - D.T.M.	REVISED -
SPRINGFIELD, ILLINOIS 62726		CHECKED - S.W.M.	REVISED -
ILLINOIS PROFESSIONAL DESIGN FIRM			
LS / PE / SE CORP. 184-000588			

STATE OF ILLINOIS
McLEAN COUNTY HIGHWAY DEPARTMENT

STEEL RAILING, TYPE S-1
STRUCTURE NO. 057-3519

SHEET NO. 6 OF 9 SHEETS

T.R.	SECTION	COUNTY	TOTAL SHEETS	SHEET NO.
221A	10-07133-00-BR	McLEAN	19	16
SCHULTZ BRIDGE			CONTRACT NO. 91455	
ILLINOIS FED. AID PROJECT BR05-01130349				