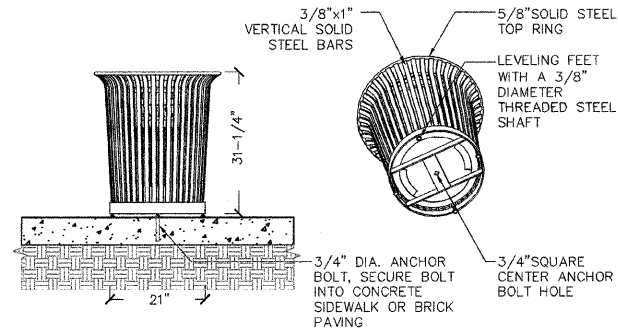
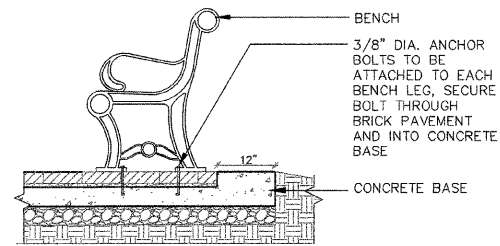


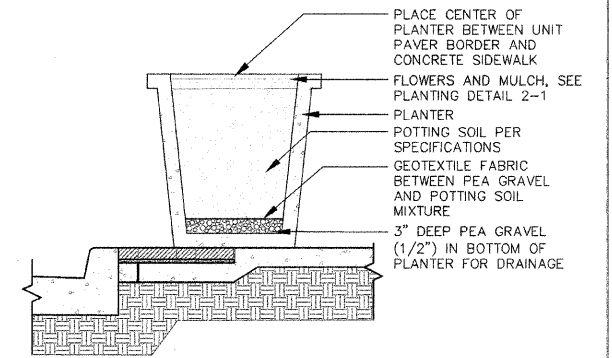
**L**  
**6-1** ORNAMENTAL FENCE AND BOLLARD CONNECTION NOT TO SCALE



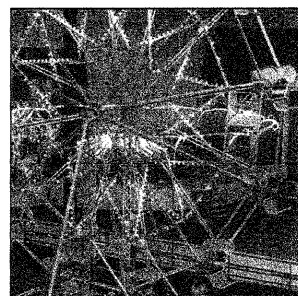
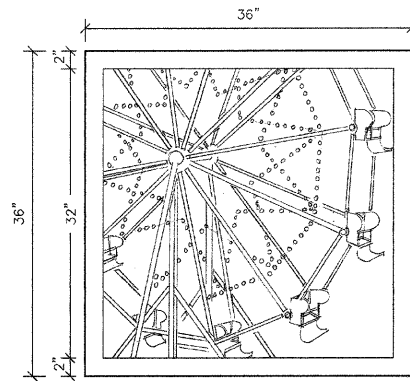
**L**  
**6-2** TRASH RECEPTACLE NOT TO SCALE



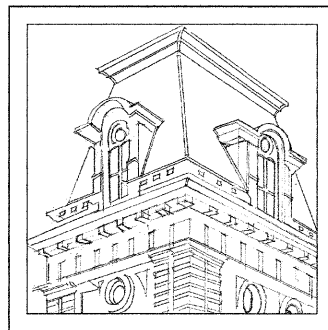
**L**  
**6-3** BENCH NOT TO SCALE



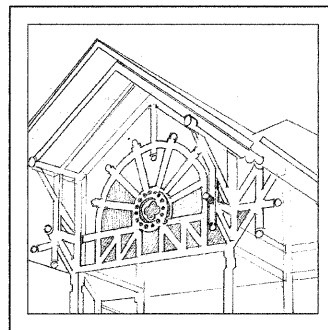
**L**  
**6-4** PLANTER NOT TO SCALE



FERRIS WHEEL



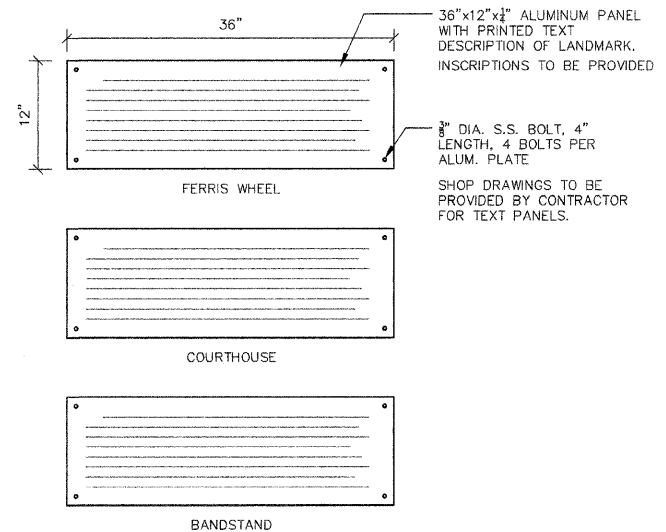
COURTHOUSE



BANDSTAND

36"x36"x1/4" WATER JET CUT ALUMINUM PANELS TO REPRESENT JACKSONVILLE LANDMARKS.  
SHOP DRAWINGS TO BE PROVIDED BY CONTRACTOR FOR GRAPHIC PANELS.

**L**  
**6-5** GRAPHIC PANELS NOT TO SCALE



**L**  
**6-6** ALUMINUM PANEL WITH TEXT INSCRIPTION NOT TO SCALE

FILE NAME =	USER NAME =	DESIGNED -- SM	REVISED --
\$FILE\$		DRAWN -- NFB	REVISED --
	PLOT SCALE =	CHECKED -- SM	REVISED --
	PLOT DATE = 12-3-2010	DATE -- 12-3-2010	REVISED --

STATE OF ILLINOIS  
DEPARTMENT OF TRANSPORTATION

CITY OF JACKSONVILLE DOWNTOWN MAIN STREET IMPROVEMENTS		F.A. RTE.	SECTION	COUNTY	TOTAL SHEETS	SHEET NO.
SITE FURNISHING DETAILS		N/A	10-00121-01-PV	MORGAN	77	53
SCALE:	SHEET NO. -- OF -- SHEETS	STA. _____	TO STA. _____			

CONTRACT NO. 93547	
FED. ROAD DIST. NO. -- ILLINOIS FED. AID PROJECT	