

SUMMARY OF QUANTITIES

CODE NUMBER	PAY ITEM	UNIT	TOTAL
20200100	EARTH EXCAVATION	CU YD	94
20300100	CHANNEL EXCAVATION	CU YD	640
20400800	FURNISHED EXCAVATION	CU YD	673
28000400	PERIMETER EROSION BARRIER	FOOT	357
28100207	STONE RIPRAP, CLASS A4	TON	556
28200200	FILTER FABRIC	SQ YD	858
30200650	PROCESSING MODIFIED SOIL 12"	SO YD	326
30201700	PORTLAND CEMENT	TON	14
40701801	HOT-MIX ASPHALT PAVEMENT (FULL DEPTH), 6"	SQ YD	314
40701841	HOT-MIX ASPHALT PAVEMENT (FULL DEPTH), 8"	SQ YD	319
44213200	SAW CUTS	FOOT	52
50100100	REMOVAL OF EXISTING STRUCTURES	EACH	1
50200100	STRUCTURE EXCAVATION	CU YD	110
50300225	CONCRETE STRUCTURES	CU YD	89.0
50300255	CONCRETE SUPERSTRUCTURE	CU YD	28.3
50300260	BRIDGE DECK GROOVING	SQ YD	378
50300280	CONCRETE ENCASEMENT	CU YD	30.2
50300300	PROTECTIVE COAT	SO YD	710
50400305	PRECAST PRESTRESSED CONCRETE DECK BEAMS (17" DEPTH)	SQ FT	5748
50800205	REINFORCEMENT BARS, EPOXY COATED	POUND	21700
* 50901750	PARAPET RAILING	FOOT	120
51201400	FURNISHING STEEL PILES HP 10X42	FOOT	1265
51202305	DRIVING PILES	FOOT	1265
51203400	TEST PILE STEEL HP 10X42	EACH	2
51500100	NAME PLATES	EACH	1
59300100	CONTROLLED LOW-STRENGTH MATERIAL	CU YD	74.8
60600605	CONCRETE CURB, TYPE B	FOOT	80
* 63100045	TRAFFIC BARRIER TERMINAL, TYPE 2	EACH	2
* 63100070	TRAFFIC BARRIER TERMINAL, TYPE 5	EACH	2
* 63100085	TRAFFIC BARRIER TERMINAL, TYPE 6	EACH	2
* 63100167	TRAFFIC BARRIER TERMINAL, TYPE 1 (SPECIAL) TANGENT	EACH	2
63200310	GUARDRAIL REMOVAL	FOOT	408
* 63300705	RUB RAIL	FOOT	58
67100100	MOBILIZATION	L SUM	1
70101830	TRAFFIC CONTROL AND PROTECTION, STANDARD BLR 21	L SUM	1
* 78001110	PAINT PAVEMENT MARKING - LINE 4"	FOOT	460
* 78201000	TERMINAL MARKER - DIRECT APPLIED	EACH	4
* 89000100	TEMPORARY TRAFFIC SIGNAL INSTALLATION	EACH	1
X2501000	SEEDING, CLASS 2 (SPECIAL)	ACRE	0.2
X5020501	UNDERWATER STRUCTURE EXCAVATION PROTECTION - LOCATION 1	EACH	1
X5020502	UNDERWATER STRUCTURE EXCAVATION PROTECTION - LOCATION 2	EACH	1
X5030305	CONCRETE WEARING SURFACE, 5"	SQ YD	640
* X5091725	BICYCLE RAILING, SPECIAL	FOOT	140
Z0001900	ASBESTOS BEARING PAD REMOVAL	EACH	40

* SPECIALTY ITEMS

EARTHWORK SCHEDULE

LOCATION	1	2	3	4
	20200100 EARTH EXCAVATION (CU YD)	*EXCAVATION TO BE USED IN EMBANKMENT (ADJUSTED FOR SHRINKAGE) (COL 1 X 0.75) (CU YD)	*EMBANKMENT (FILL) (CU YD)	20400800 FURNISHED EXCAVATION (COL 2 - COL 3) (CU YD)
24+50.00 TO 28+25.00	94	71	744	673

EARTH EXCAVATION SHRINKAGE FACTOR = 25%

ITEMS MARKED WITH AN ASTERISK (*) ARE FOR INFORMATIONAL PURPOSES ONLY

CHANNEL EXCAVATION MAY BE USED AS EMBANKMENT WHEN APPROVED BY THE ENGINEER, BUT

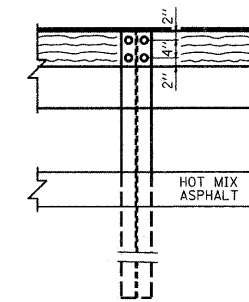
IS NOT INCLUDED IN THE EARTHWORK SCHEDULE.

GENERAL NOTES

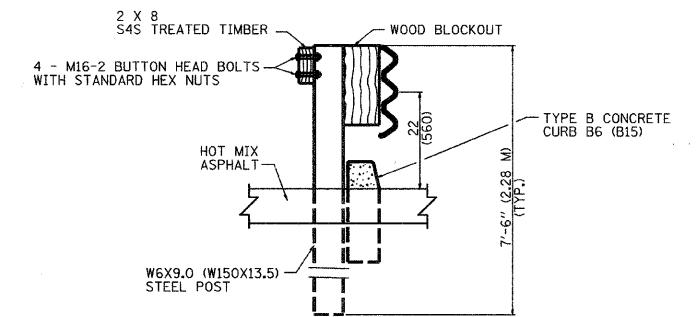
- All elevations are based on U.S.G.S. Mean Sea Level datum. The proposed grade elevations shown on the plan and profile sheets and station cross sections are the elevations for the finished surface at the locations indicated.
- The following rates were used in calculating quantities for this project:

Riprap: 1.5 Tons / Cu Yd
 Portland Cement: 8% By Weight
 Hot Mix Asphalt: 112 LBS / Sq Yd / Inch

LOCATION(S)	CH 7			
	HOT-MIX ASPHALT PAVEMENT (FULL DEPTH), 8"	HOT-MIX ASPHALT PAVEMENT (FULL DEPTH), 6"	HOT-MIX ASPHALT PAVEMENT (FULL DEPTH), 6"	HOT-MIX ASPHALT PAVEMENT (FULL DEPTH), 6"
MIXTURE USE(S)	6" HMA BINDER	2" HMA SURFACE	4" HMA BINDER	2" HMA SURFACE
PG	PG 64-28	PG 64-28	PG 64-28	PG 64-28
DESIGN AIR VOIDS	4.0 % @ Ndes = 50	4.0 % @ Ndes = 50	4.0 % @ Ndes = 50	4.0 % @ Ndes = 50
MIX COMP (GRADATION)	IL 19.0	IL 9.5	IL 19.0	IL 9.5
FRICTION AGGREGATE	MIX C	MIX C	MIX C	MIX C



ELEVATION
(BIKE PATH SIDE)



CROSS SECTION

RUBRAIL DETAIL

STA 26+69.81 LT TO STA 27+09.81 RT
 STA 25+31.26 LT TO STA 25+49.26 LT

FILE NAME =	USER NAME = #USER#	DESIGNED -	REVISED -	STATE OF ILLINOIS DEPARTMENT OF TRANSPORTATION	GENERAL NOTES AND QUANTITIES	F.A.U. RTE.	SECTION	COUNTY	TOTAL SHEETS	SHEET NO.	
#FILE#		DRAWN -	REVISED -			7449	05-00198-00-BR	MACON	29	2	
	PLOT SCALE = #SCALE#	CHECKED -	REVISED -			CONTRACT NO.					
	PLOT DATE = #DATE#	DATE -	REVISED -			ILLINOIS FED. AID PROJECT					