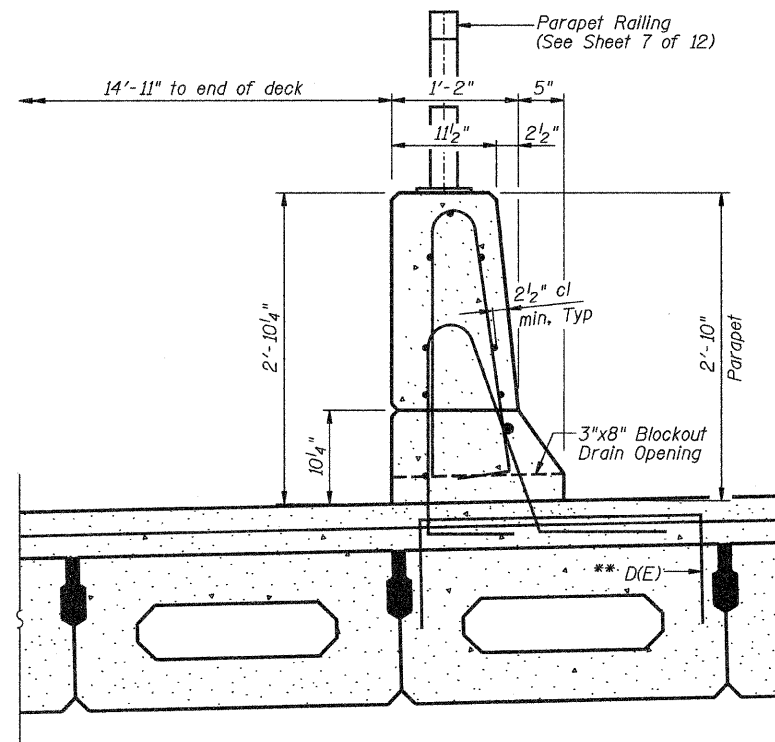
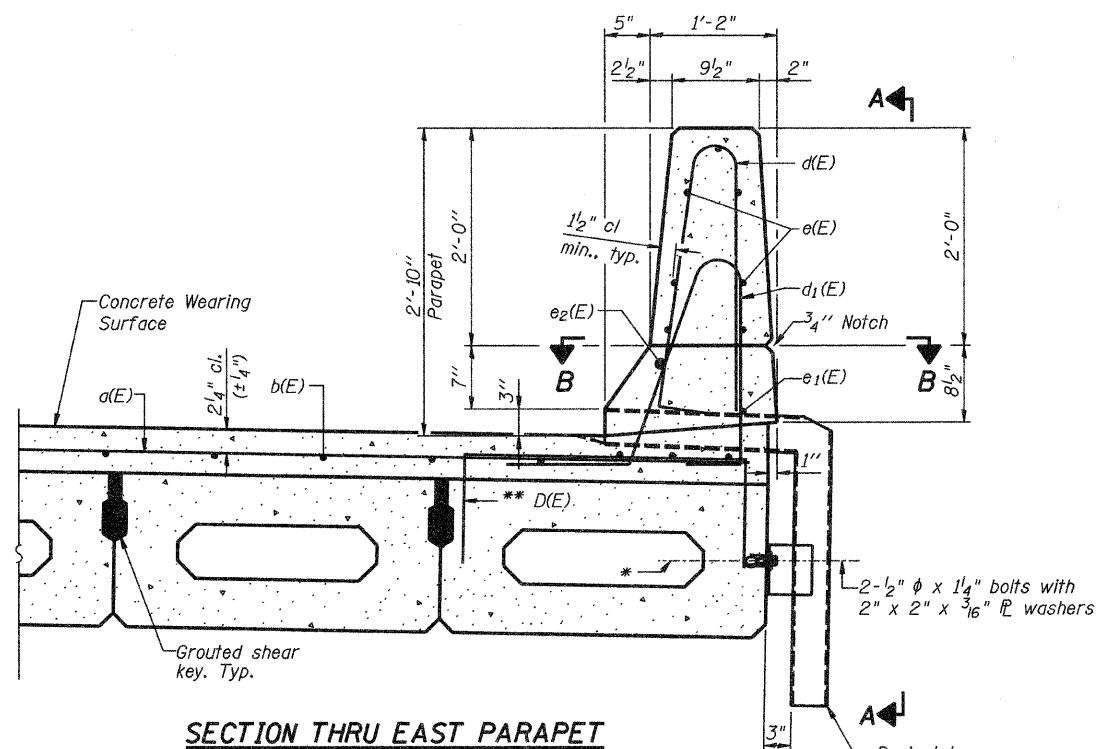


MINIMUM BAR LAP
 #4 bar = 2'-0"
 #8 bar = 5'-2"

INSIDE ELEVATION OF PARAPETS

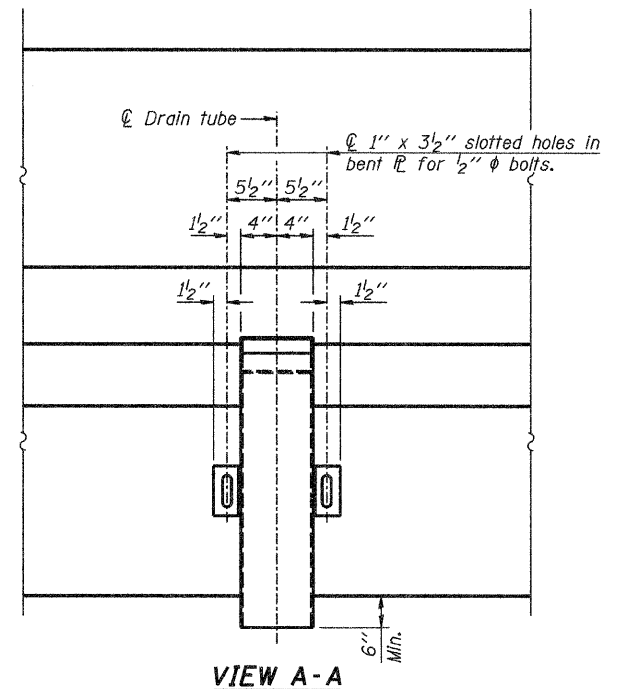


SECTION THRU WEST PARAPET



SECTION THRU EAST PARAPET

- * \odot Loop Ferrule inserts for $\frac{1}{2}$ " ϕ bolts. Place at \odot of beam depth.
- ** Place #4 D(E) bars at 9" cts in beam 6 & 16. D(E) bar included in cost of beam. See sheets 6 and 7 of 12 for details.



VIEW A-A

Note:
 All drain tubes and accessories shall be galvanized according to AASHTO M111 or M232, (as applicable).
 The cost of the drain tube assemblies and everything necessary for their installation is included with Concrete Superstructure.
 For drain spacing in both parapets see Sheet 2 of 12.

PDS-M-F-D

7-1-10

FILE NAME =	USER NAME = rkung	DESIGNED ACB	REVISIONS -		SUPERSTRUCTURE DETAILS BALTIMORE AVE (CH 7) OVER FINLEY CREEK		F.A.S. RTE.	SECTION	COUNTY	TOTAL SHEETS	SHEET NO.
In\Municipalities\Wacon County\5127 Finley Creek Bridge\CADD_Structural\revised\supdet	DRAWN RLK	REVISIONS -	CH 7				05-00198-BR	MACON	29	9	
PLOT SCALE = 1:8000 ' / IN.	CHECKED JMB	REVISIONS -	CONTRACT NO.								
PLOT DATE = 4/18/2011	DATE 1-11-11	REVISIONS -	ILLINOIS FED. AID PROJECT								