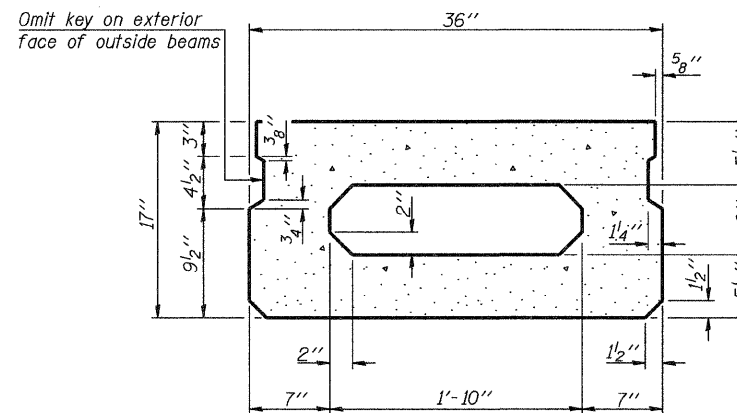
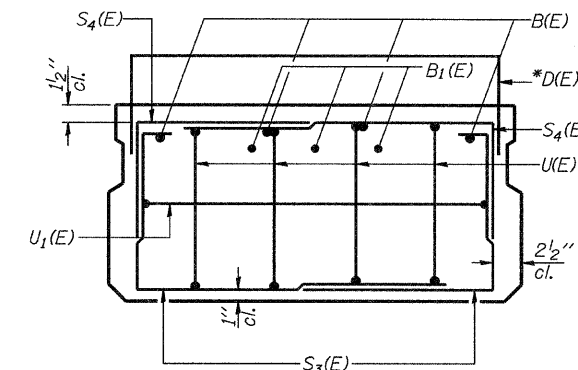


**SECTION A-A**

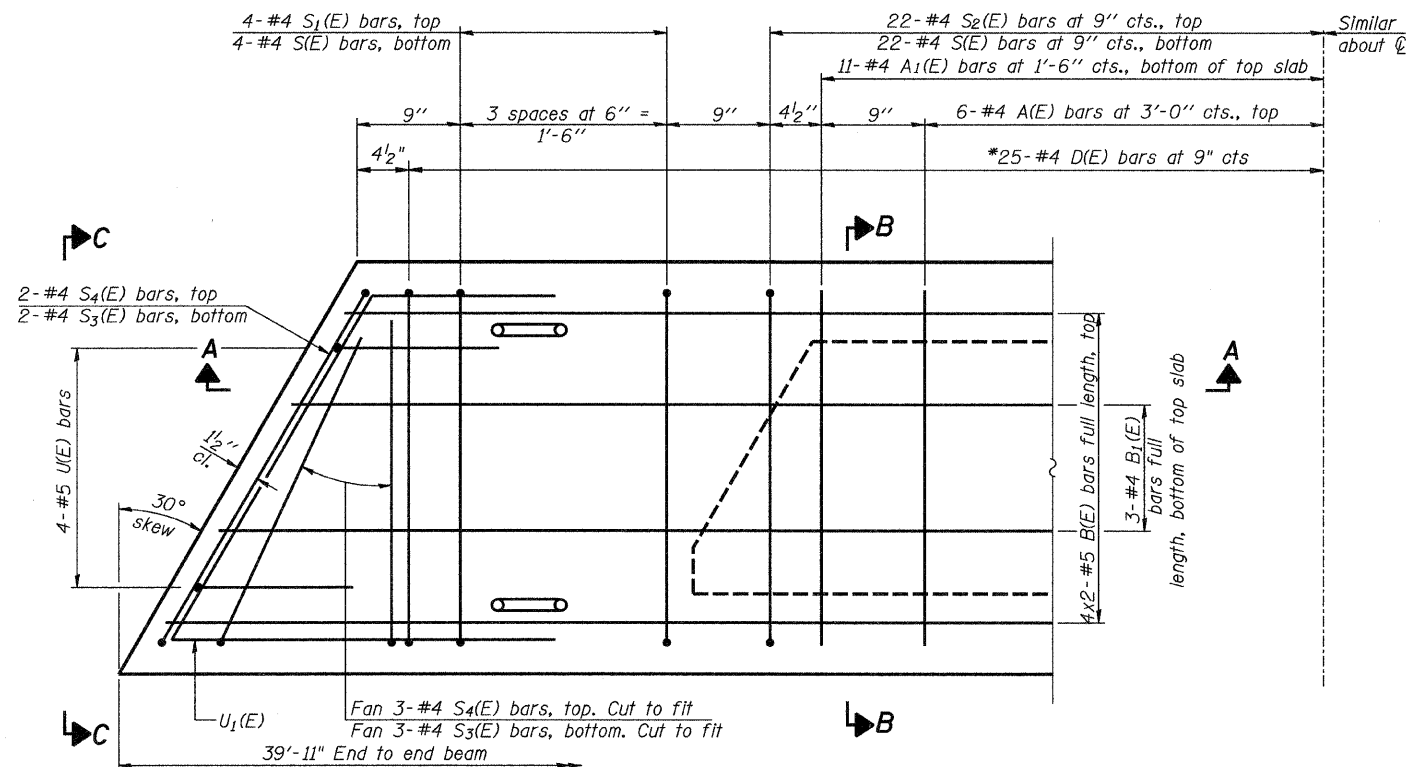


**SECTION B-B**  
(Showing dimensions)



**VIEW C-C**

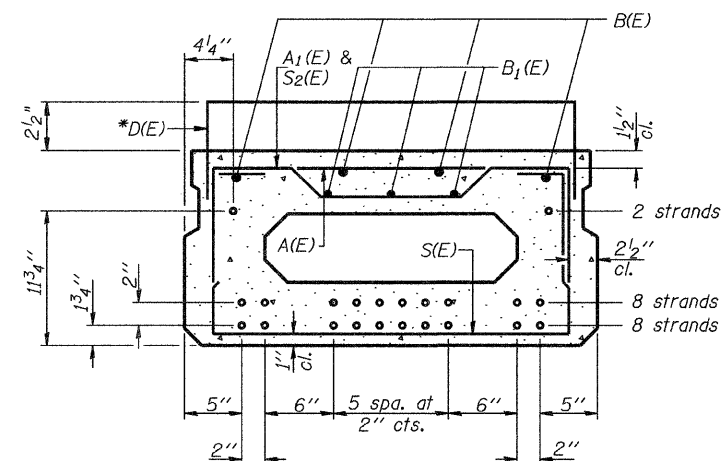
\*Provide only for beams 6 and 16.



**PLAN VIEW**

Note: Spacing of S(E) and S2(E) bars may be adjusted up to 4" in the immediate area of the transverse tie diaphragms to miss the block outs for the transverse ties.

\*Provide only for beams 6 and 16.



**SECTION B-B**

(Showing reinforcement and permissible strand locations)

Note: Place the number of strands specified in each row symmetrically about the centerline of beam in the permissible strand locations shown.

\*Provide only for beams 6 and 16.

**BAR LIST**  
**ONE BEAM ONLY**  
(For information only)

Bar	No.	Size	Length	Shape
A(E)	11	#4	2'-7"	—
A1(E)	22	#4	2'-10"	—
B(E)	8	#5	2'-3"	—
B1(E)	6	#4	2'-3"	—
D(E)	51	#4	4'-8"	⌌
S(E)	53	#4	5'-9"	⌌
S1(E)	8	#4	4'-3"	⌌
S2(E)	45	#4	4'-6"	⌌
S3(E)	10	#4	4'-1"	⌌
S4(E)	10	#4	3'-4"	⌌
U(E)	8	#5	3'-8"	⌌
U1(E)	2	#4	6'-10"	⌌

Note: See sheet 5 of 12 for additional details and Bill of Material.

\*Provide only for beams 6 and 16.

**MINIMUM BAR LAP**

#4 bar = 2'-0"  
#5 bar = 2'-6"

PD-1736-L

7-1-10

FILE NAME =	USER NAME = rking	DESIGNED ACB	REVISED -		DECATUR (217) 422-8544 CHICAGO (773) 714-0050 ROCKFORD (815) 489-0050 184-001597	<b>17" x 36" PPC DECK BEAM</b> <b>BALTIMORE AVE (CH 7) OVER FINLEY CREEK</b>		F.A.S. RTE.	SECTION	COUNTY	TOTAL SHEETS	SHEET NO.
In:\Municipalities\Macon County\5127 Finley Creek Bridge\CADD\Structural\revised\beam	DRAWN RLK	REVISED -	CH 7					05-00198-BR	MACON	29	12	
PLOT SCALE = 1/8" = 1'-0"	CHECKED JMB	REVISED -	CONTRACT NO.									
PLOT DATE = 4/18/2011	DATE 1-11-11	REVISED -	ILLINOIS FED. AID PROJECT									