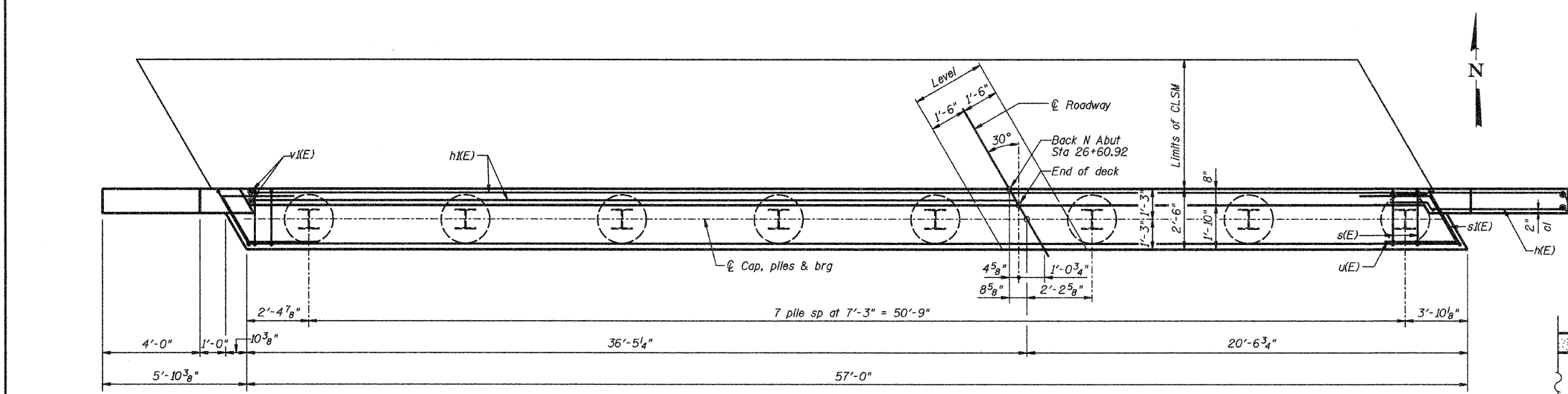
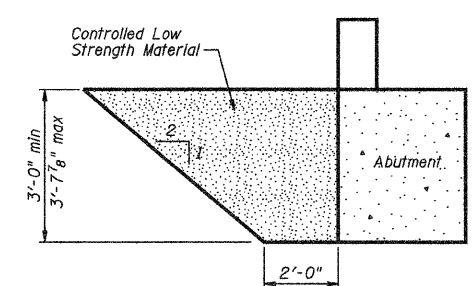


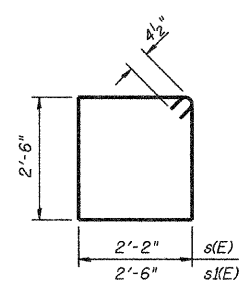
ELEVATION



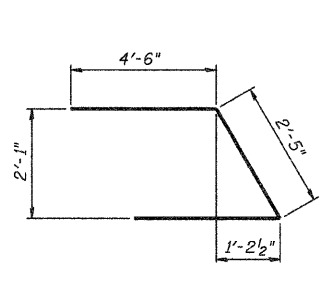
PLAN



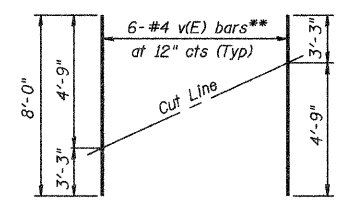
CONTROLLED LOW STRENGTH MATERIAL LIMITS
(Dimensions at right L's)



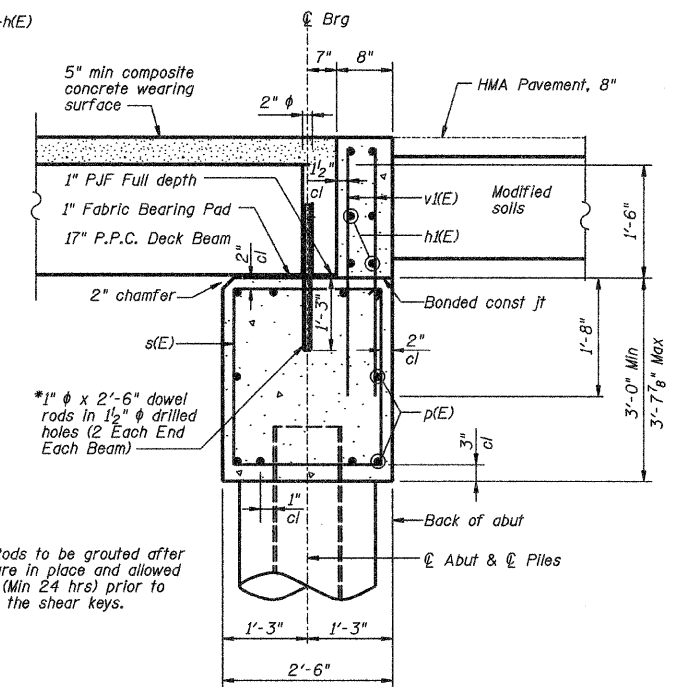
BARS s(E) and s(E)



BAR u(E)



FIELD CUTTING DIAGRAM
**Order v(E) full length. Cut as shown and use remainder of bars in opposite face.



SECTION THRU ABUTMENT
(Dimensions at Rt L's)

BILL OF MATERIAL

Bar	No.	Size	Length	Shape
h(E)	24	#4	4'-8"	—
h(E)	12	#4	29'-9"	—
p(E)	20	#7	31'-0"	—
s(E)	51	#4	10'-1"	□
s(E)	2	#4	10'-9"	□
u(E)	8	#6	11'-5"	—
v(E)	12	#4	8'-0"	—
v(E)	114	#4	3'-6"	—
Structure Excavation			Cu Yd	60
Concrete Structures			Cu Yd	22.4
Reinforcement Bars, Epoxy Coated			Pound	2410
Furnishing Steel Piles HP10x42			Foot	320
Driving Piles			Foot	320
Controlled Low Strength Material			Cu Yd	37.4
Concrete Encasement			Cu Yd	2.8

NOTES

The cost of excavation and reinforcement for pile encasement is incidental to the cost of "Concrete Encasement."
Reinforcement bars designated (E) shall be epoxy coated.
Cast backwall after beams and concrete wearing surface has been erected.

PILE DATA:

Type: Steel HP10x42
Nominal Required Bearing: 183 kips
Allowable Resistance Available: 61 kips
Est. Length: 40'
No. Production Piles: 8
No. Test Piles: 0

FILE NAME =	USER NAME = rking	DESIGNED ACB	REVISED -	HOMER L. CHASTAIN & ASSOCIATES, LLP CONSULTING ENGINEERS DECATUR (217) 422-8544 CHICAGO (773) 714-0050 ROCKFORD (815) 489-0850 184-001997	NORTH ABUTMENT DETAILS BALTIMORE AVE (CH 7) OVER FINLEY CREEK SCALE: SHEET NO. 9 OF 12 SHEETS STA. TO STA.		F.A.S. RTE.	SECTION	COUNTY	TOTAL SHEETS	SHEET NO.
Ir\Municipal\tees\Mecon.County\5127 Finley Creek Bridge\CADD_Structural\revised\abut	Creek Bridge\CADD_Structural\revised\abut	DRAWN RLK	REVISED -				CH 7	05-00198-BR	MACON	29	15
PLOT SCALE = 2:8.0000 '1' / IN.	CHECKED JMB	REVISIED -	REVISED -				CONTRACT NO.				
PLOT DATE = 4/18/2011	DATE 1-11-11	REVISED -	REVISED -				ILLINOIS FED. AID PROJECT				