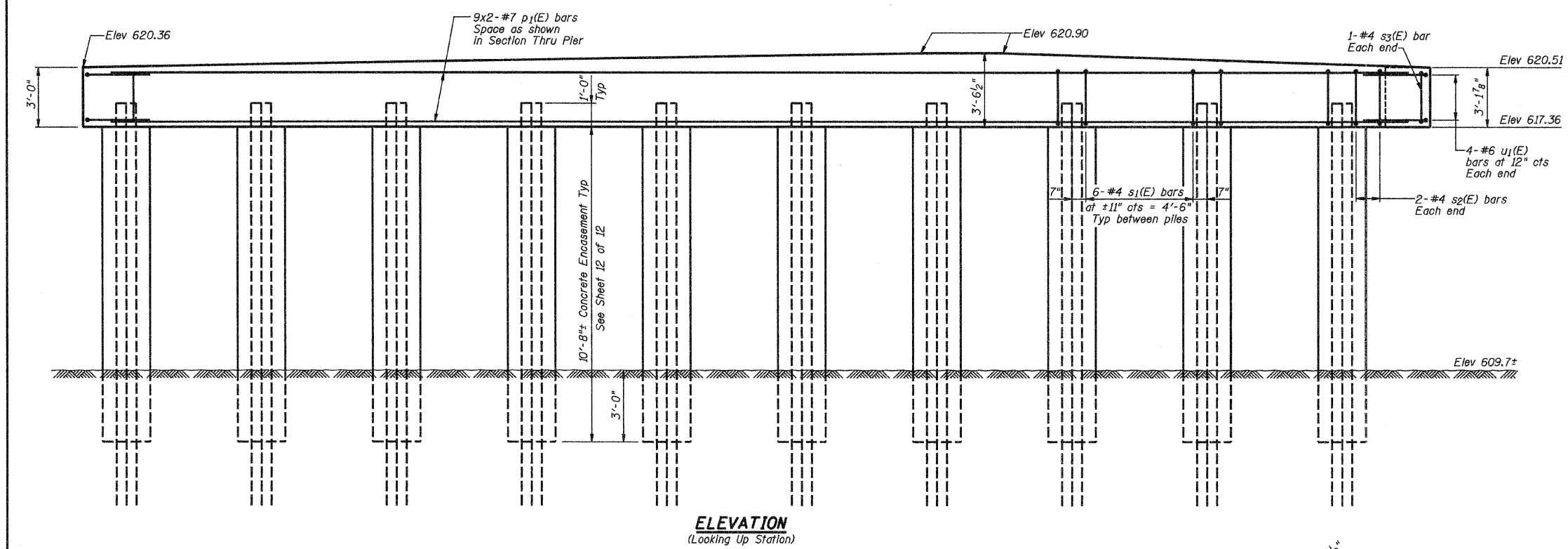
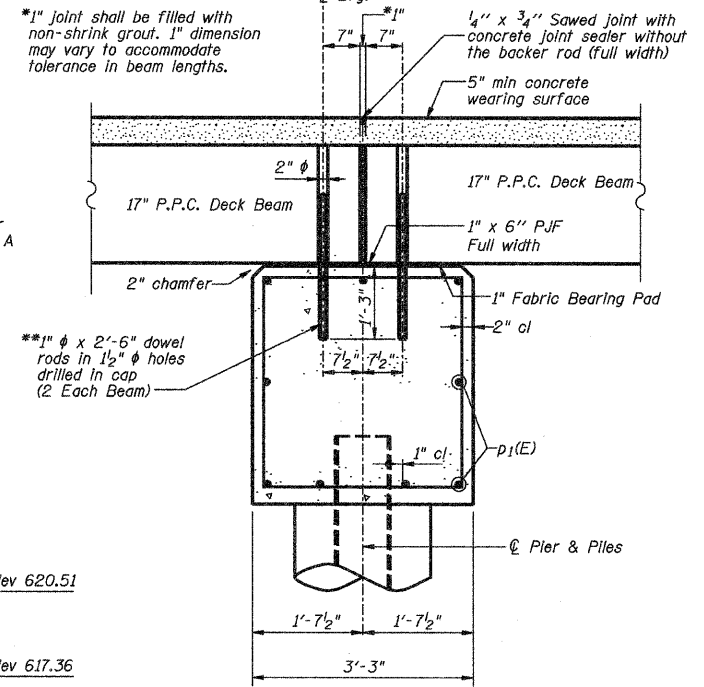
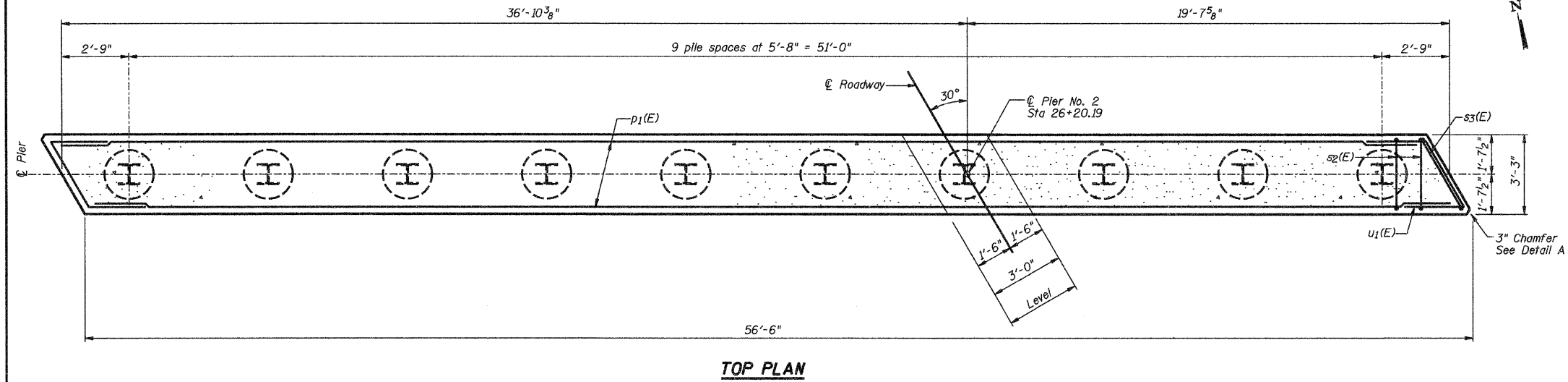


\*\*After beams have been erected, holes shall be drilled into substructure and anchor dowels placed. Dowel holes shall be filled with non-shrink grout to top of beam and allowed to cure min 24 hrs prior to grouting the shear keys.



**SECTION THRU PIER**  
(Dimensions at Rt L's)

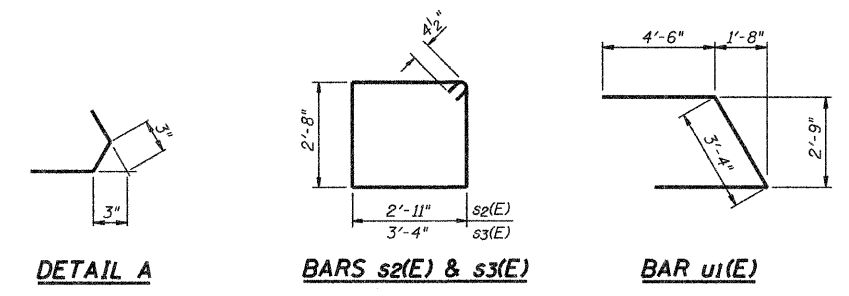
**BILL OF MATERIAL**

Bar	No.	Size	Length	Shape
p1(E)	18	#7	30'-8"	—
s2(E)	58	#4	11'-11"	□
s3(E)	2	#4	12'-9"	□
u1(E)	8	#6	12'-4"	⌒
Concrete Encasement		Cu Yd	12.5	
Concrete Structures		Cu Yd	22.1	
Reinforcement Bars, Epoxy Coated		Pound	1690	
Furnishing Steel Piles HP 10x42		Foot	350	
Driving Piles		Foot	350	
Underwater Structure Excavation Protection Location 2		Each	1	

**PILE DATA**

Type: Steel HP 10x42  
 Nominal Required Bearing: 228 kips  
 Allowable Resistance Available: 76 kips  
 Est. Length: 35'  
 No. Production Piles: 10  
 No. Test Piles: 0

**MIN BAR LAP**  
#7 bar = 5'-2"



**BARS s2(E) & s3(E)**

**BAR u1(E)**

**NOTES**

The cost of excavation and reinforcement for pile encasement is incidental to the cost of "Concrete Encasement."  
 Reinforcement bars designated (E) shall be epoxy coated.

FILE NAME =	USER NAME = rking	DESIGNED ACB	REVISED -		DECATUR (317) 422-8544 CHICAGO (773) 714-0050 ROCKFORD (815) 489-0050 184-001397	<b>PIER NO. 2 DETAILS</b>			F.A.S. RTE.	SECTION	COUNTY	TOTAL SHEETS	SHEET NO.
In\Municipalities\Macon County\5127 Finley Creek Bridge\CADD_Structural\revised\pier2	DRAWN RLK	REVISIONS				<b>BALTIMORE AVE (CH 7) OVER FINLEY CREEK</b>			CH 7	05-00198-BR	MACON	29	17
PLOT SCALE = 2/8" = 1' / IN.	CHECKED JMB	DATE 1-11-11				SCALE:	SHEET NO. 11 OF 12 SHEETS	STA.	<b>CONTRACT NO.</b>		ILLINOIS FED. AID PROJECT		
PLOT DATE = 4/18/2011													